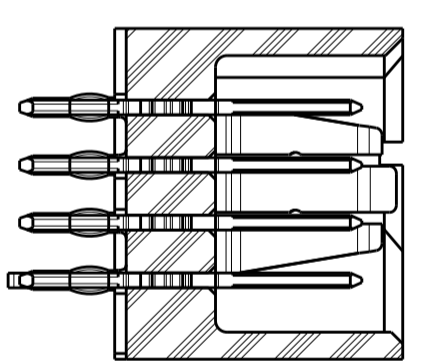
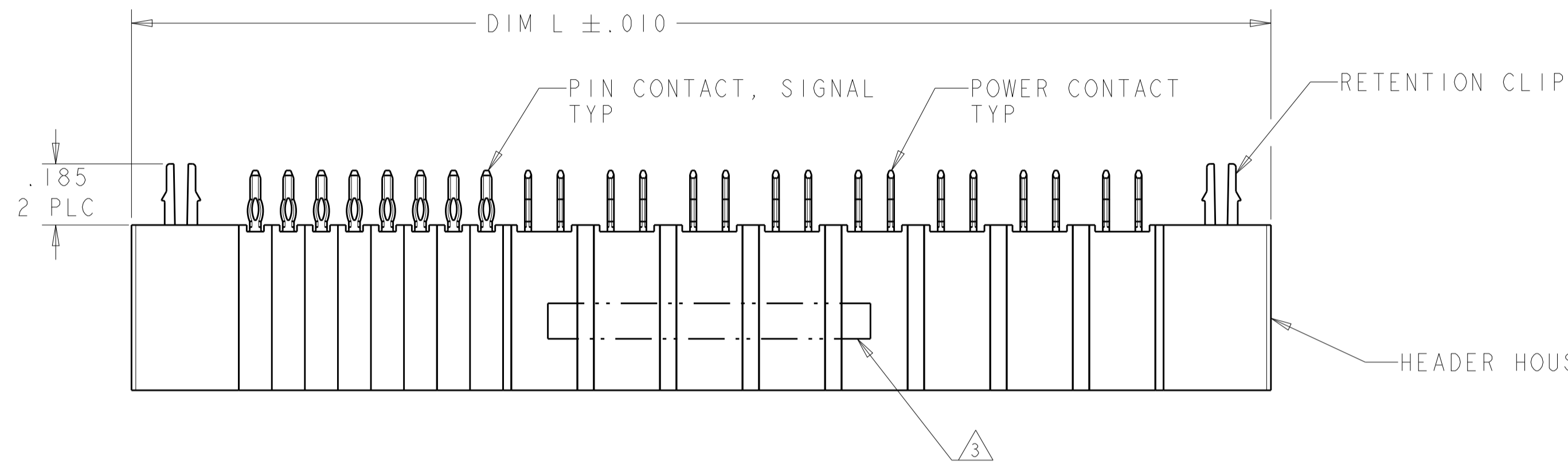
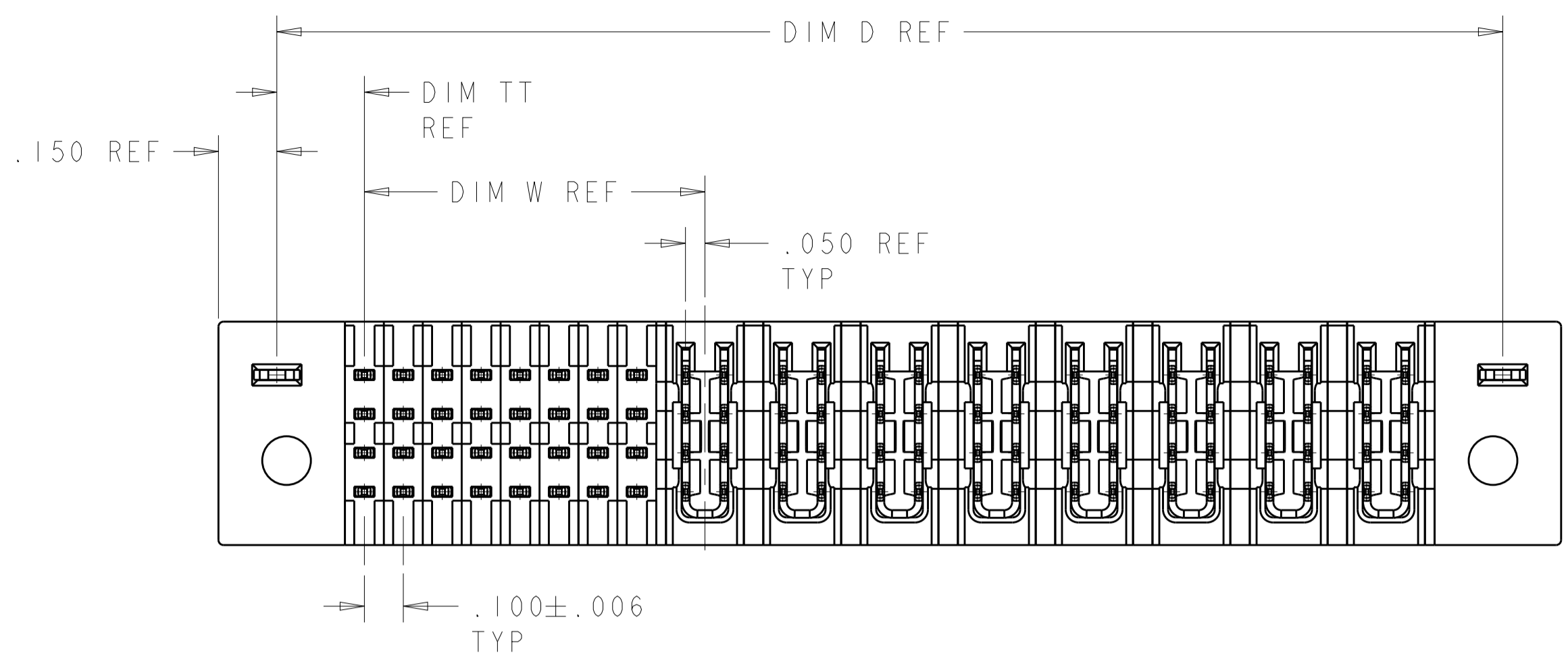
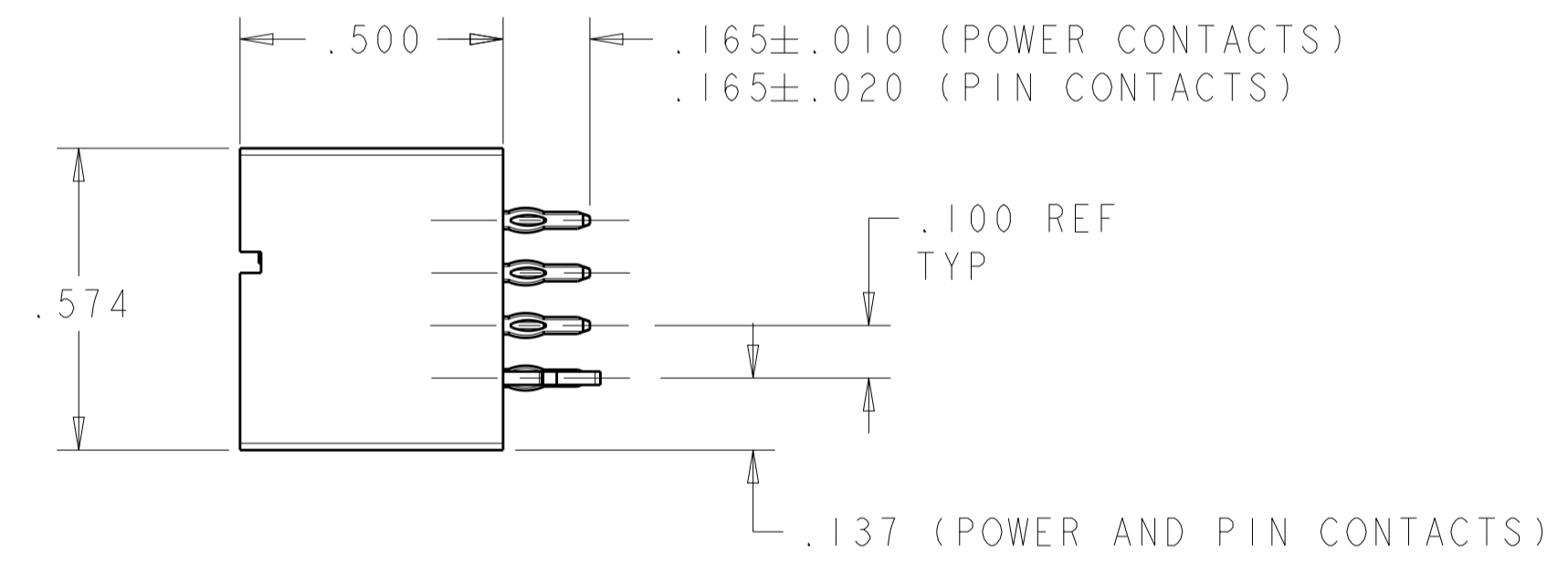
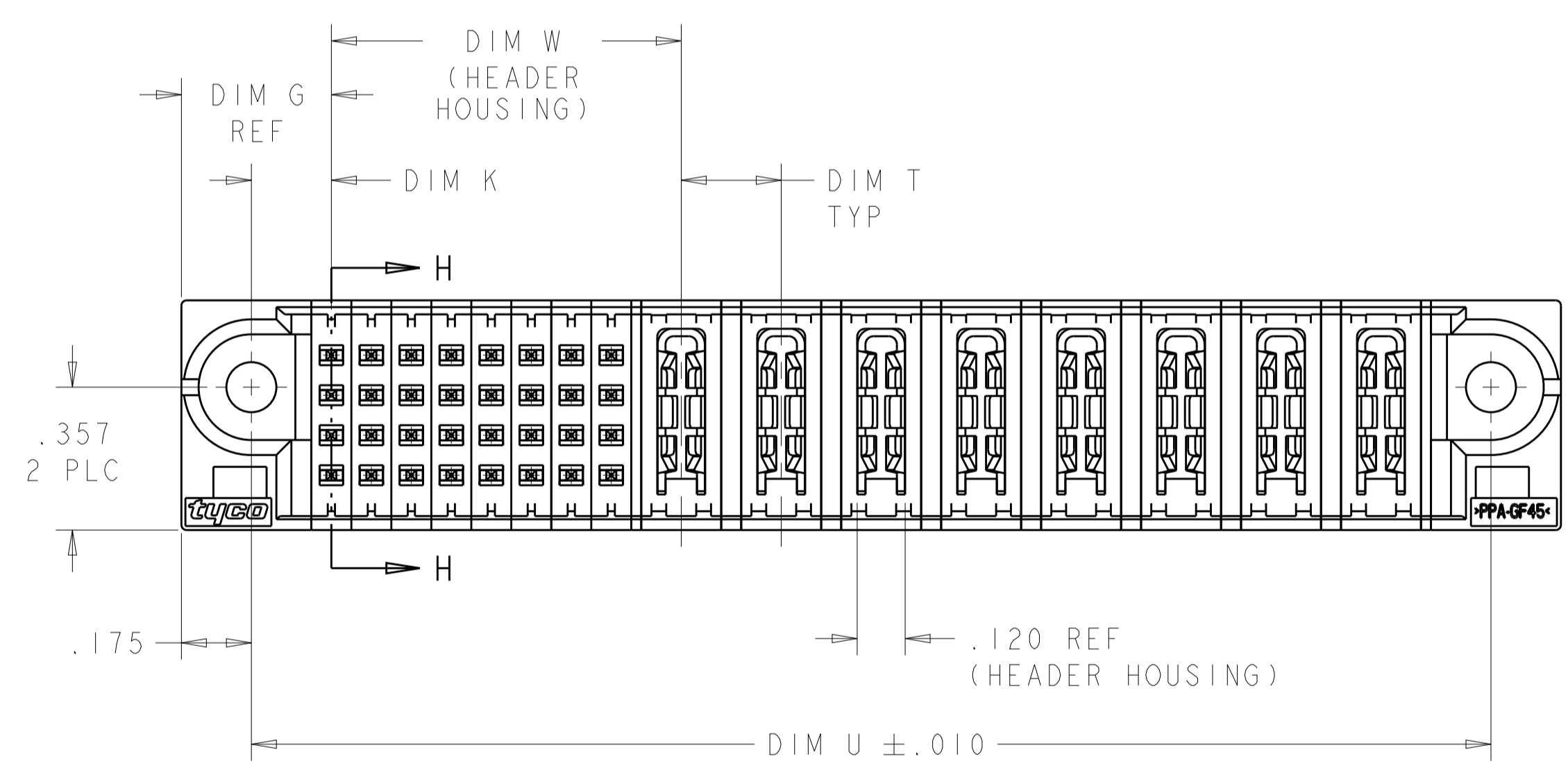


LOC	DIST	REVISIONS					
		P	LTN	DESCRIPTION	DATE	DWN	APVD
ES	00			REV PWE ECR-12-021188	10DEC2012	ML	SZ



SECTION H-H



- △ HEADER HOUSING: THERMO PLASTIC, BLACK, UL94 V-0; CONTACTS: COPPER ALLOY.
- △ CONTACT PLATING: NOBLE METAL PLATING ON CONTACT FUNCTIONAL AREA OF POWER AND SIGNAL CONTACTS.
- △ "AMP", PART NUMBER AND DATE CODE MARKED IN THIS AREA. PARTS UNDER 2.50 LONG MAY BE MARKED ON BOTH SIDES.
- △ DATUM AND BASIC DIMENSIONS ESTABLISHED BY CUSTOMER.
- △ PCB - ALL HOLE DIAMETERS ARE FINISHED HOLE SIZES.
- 6. A SEATING TOOL IS REQUIRED TO SEAT THE HEADER ON THE P.C. BOARD. PLEASE REFER TO THE 114-13038 APPLICATION SPEC.
- △ MECHANICAL CONNECTOR KEEP OUT ZONE.
- △ NOT RELEASED FOR PRODUCTION.

.225	6.000	1.275	.250	6.350	.200	.375	6.050	NO	48S + 18P	6600323-9
.225	4.650	1.675	.250	5.000	.200	.375	4.700	NO	64S + 11P	6600323-8
.225	3.800	3.075	.250	4.150	.200	.375	3.850	YES	120S + 2P	6600323-7
.225	2.800	.200	.300	3.150	.200	.375	2.850	NO	4S + 8ACP	6600323-6
.225	3.800	1.075	.250	4.150	.200	.375	3.850	NO	40S + 10P	6600323-5
.225	1.500	-	-	1.850	.200	.375	1.550	NO	48S	6600323-4
.225	2.400	.675	.250	2.750	.200	.375	2.450	NO	24S + 6P	6600323-3
.225	2.900	.675	.250	3.250	.200	.375	2.950	NO	24S + 8P	6600323-2
.225	3.100	.875	.250	3.450	.200	.375	3.150	NO	32S + 8P	6600323-1
DIM TT	DIM U	DIM W	DIM T	DIM L	DIM K	DIM G	DIM D	RETENTION CLIP	DESCRIPTION	PART NUMBER

THIS DRAWING IS A CONTROLLED DOCUMENT.

DIMENSIONS: INCH

TOLERANCES UNLESS OTHERWISE SPECIFIED:

0 PLC	±
1 PLC	±
2 PLC	±
3 PLC	±0.005
4 PLC	±0.0005
ANGLES	±

MATERIAL: △ FINISH: △

THIS DRAWING IS A CONTROLLED DOCUMENT. DWN: J. McCLINTON 15AUG05, CHK: D. TROUT 15AUG05, APVD: B. MLYNE 15AUG05

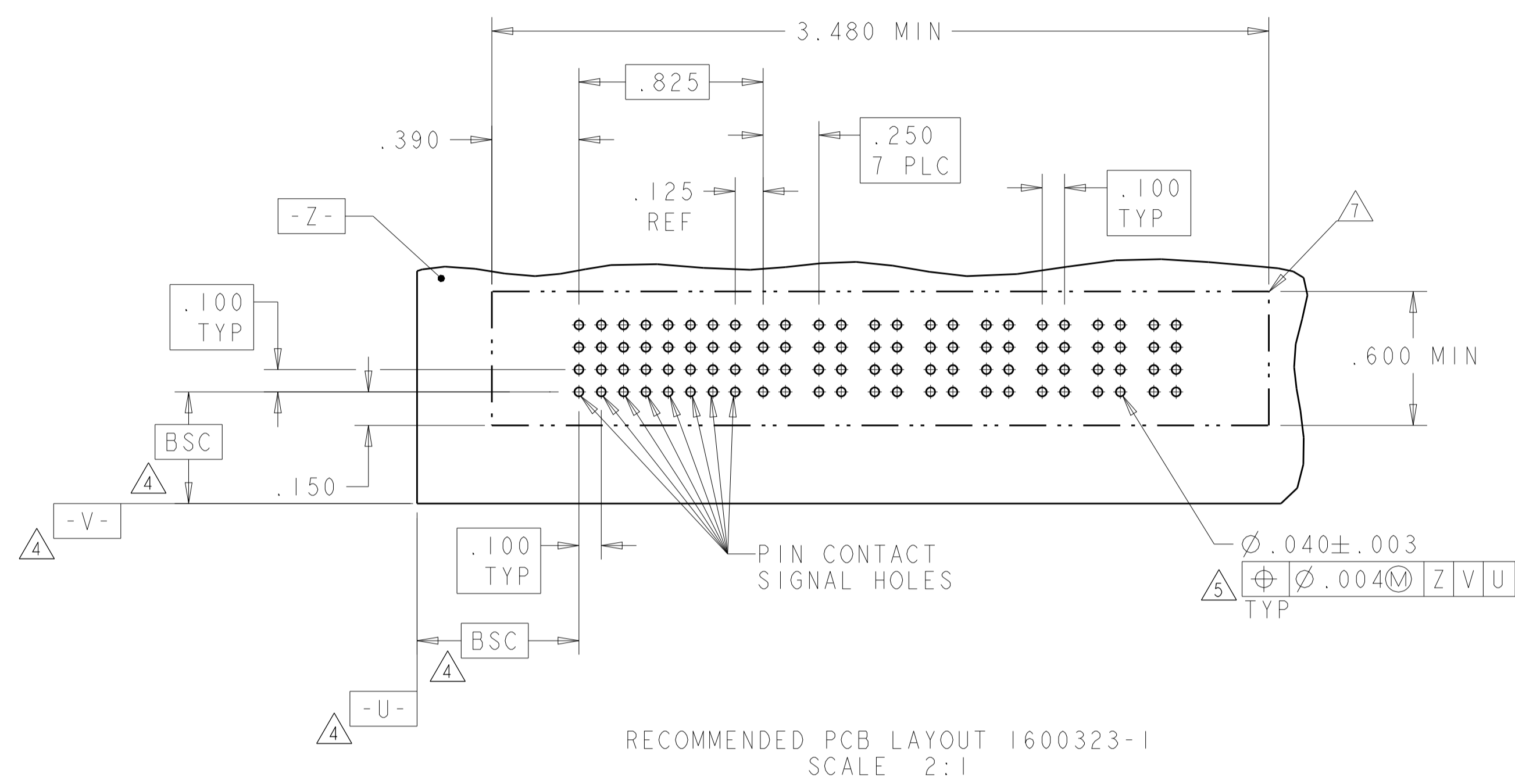
NAME: VERTICAL HEADER ASSEMBLY, W/GUIDES, PRESS FIT, TYPE SP, MULTI-BEAM XL

SIZE: A1, CAGE CODE: 100779, DRAWING NO: 6600323, WEIGHT: -, RESTRICTED TO: -

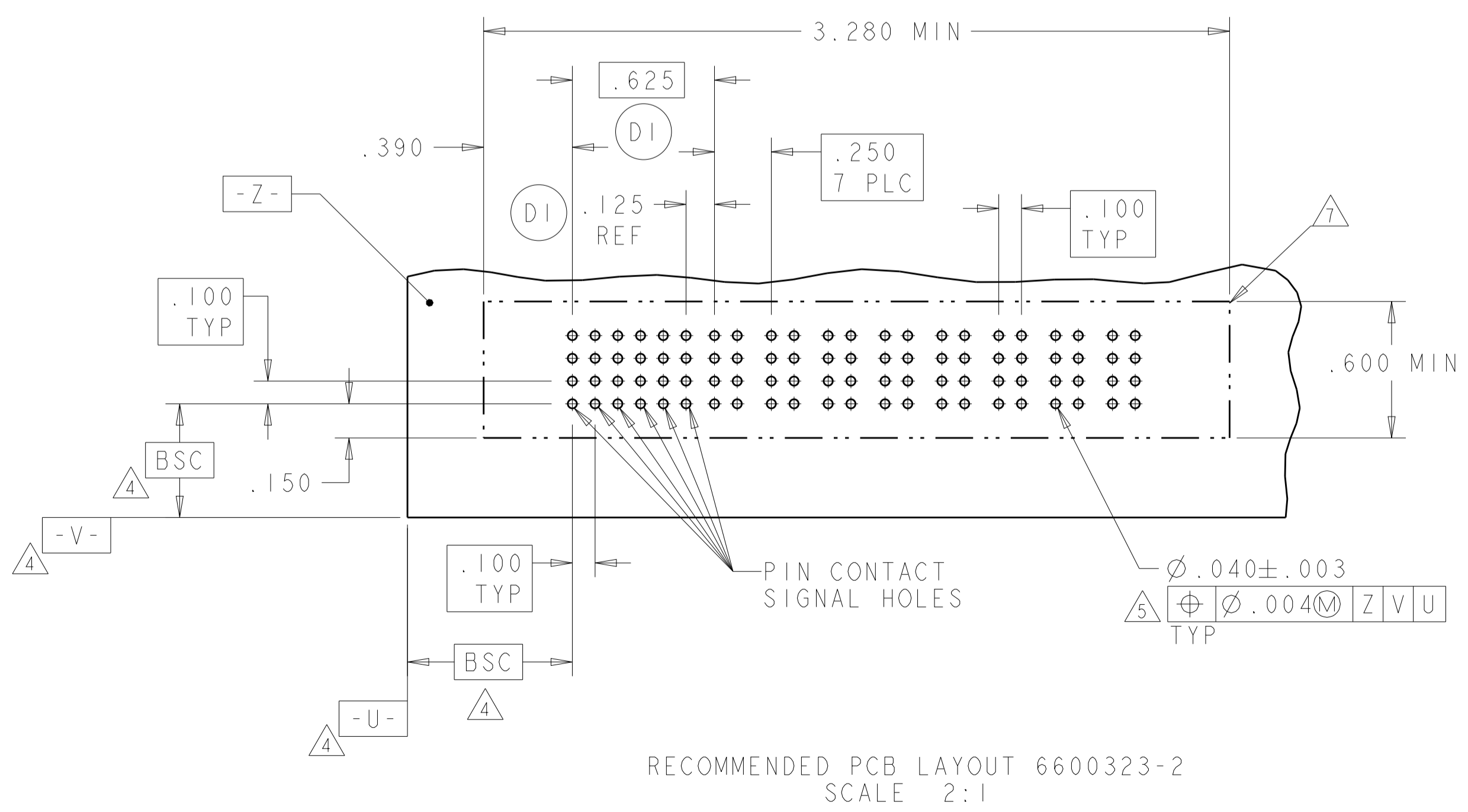
CUSTOMER DRAWING SCALE: 3:1 SHEET: 1 OF 7 REV: E5

LOC	DIST	REVISIONS			
P	LTN	DESCRIPTION	DATE	DMN	APVD
ES	00	SEE SHEET 1			

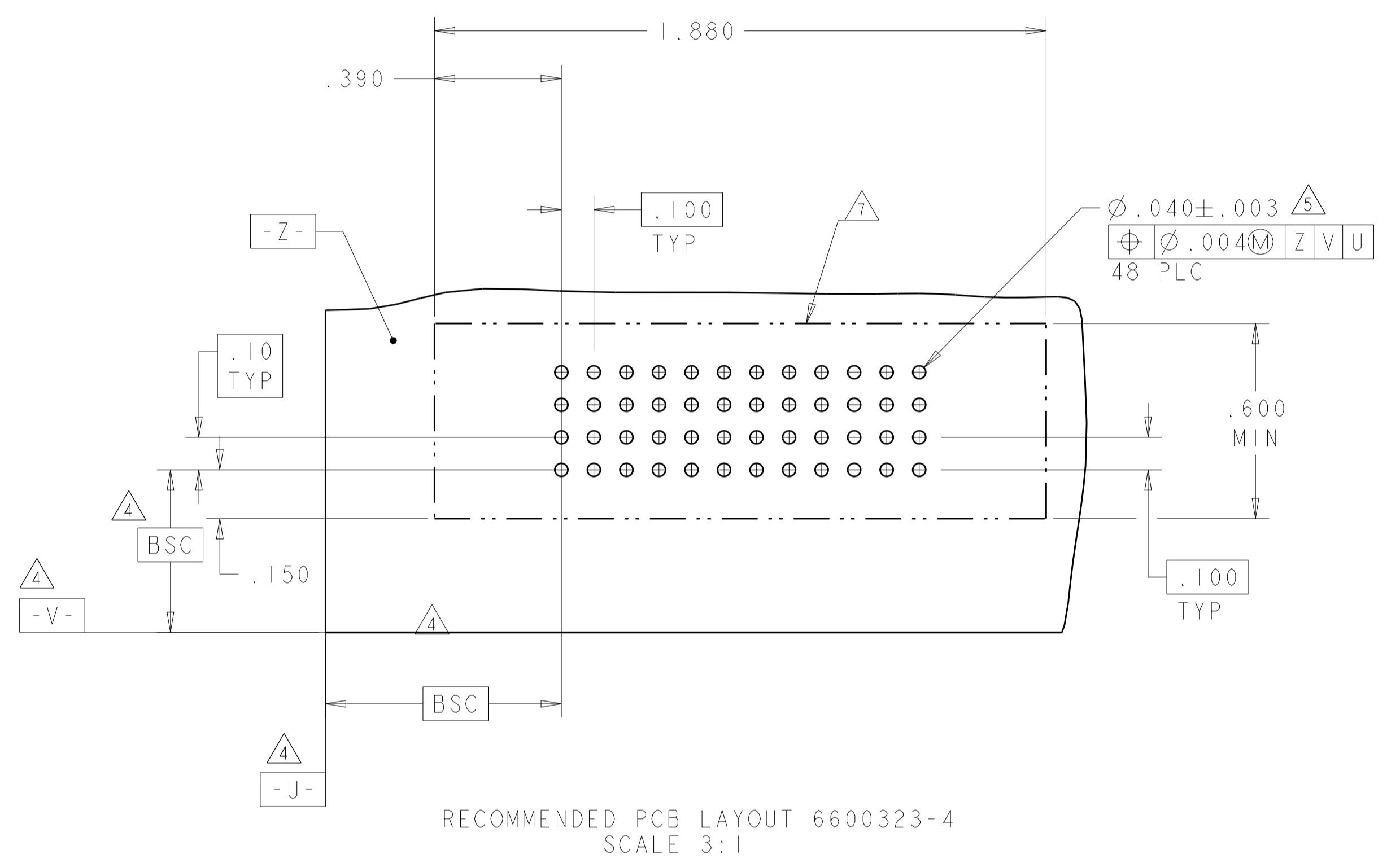
PART NUMBER	ROWS	SIGNAL								POWER							
		1	2	3	4	5	6	7	8	P1	P2	P3	P4	P5	P6	P7	P8
6600323-1	D	EV	EV	EV	EV	EV	EV	EV	EV	VM	VM	VM	VM	VM	VM	VM	VM
	C	EV	EV	EV	EV	EV	EV	EV									
	B	EV	EV	EV	EV	EV	EV	EV									
	A	EV	EV	EV	EV	EV	EV	EV									
32S+8P																	



PART NUMBER	ROWS	SIGNAL						POWER							
		1	2	3	4	5	6	P1	P2	P3	P4	P5	P6	P7	P8
6600323-2	D	EV	EV	EV	EV	EV	EV	VM	VM	VM	VM	VM	VM	VM	VM
	C	EV	EV	EV	EV	EV	EV								
	B	EV	EV	EV	EV	EV	EV								
	A	EV	EV	EV	EV	EV	EV								
24S+8P															



PART NUMBER	ROWS	SIGNAL											
		1	2	3	4	5	6	7	8	9	10	11	12
6600323-4	D	EV	EV	EV	EV	EV	EV	EV	EV	EV	EV	EV	EV
	C	EV	EV	EV	EV	EV	EV	EV	EV	EV	EV	EV	EV
	B	EV	EV	EV	EV	EV	EV	EV	EV	EV	EV	EV	EV
	A	EV	EV	EV	EV	EV	EV	EV	EV	EV	EV	EV	EV
48S													

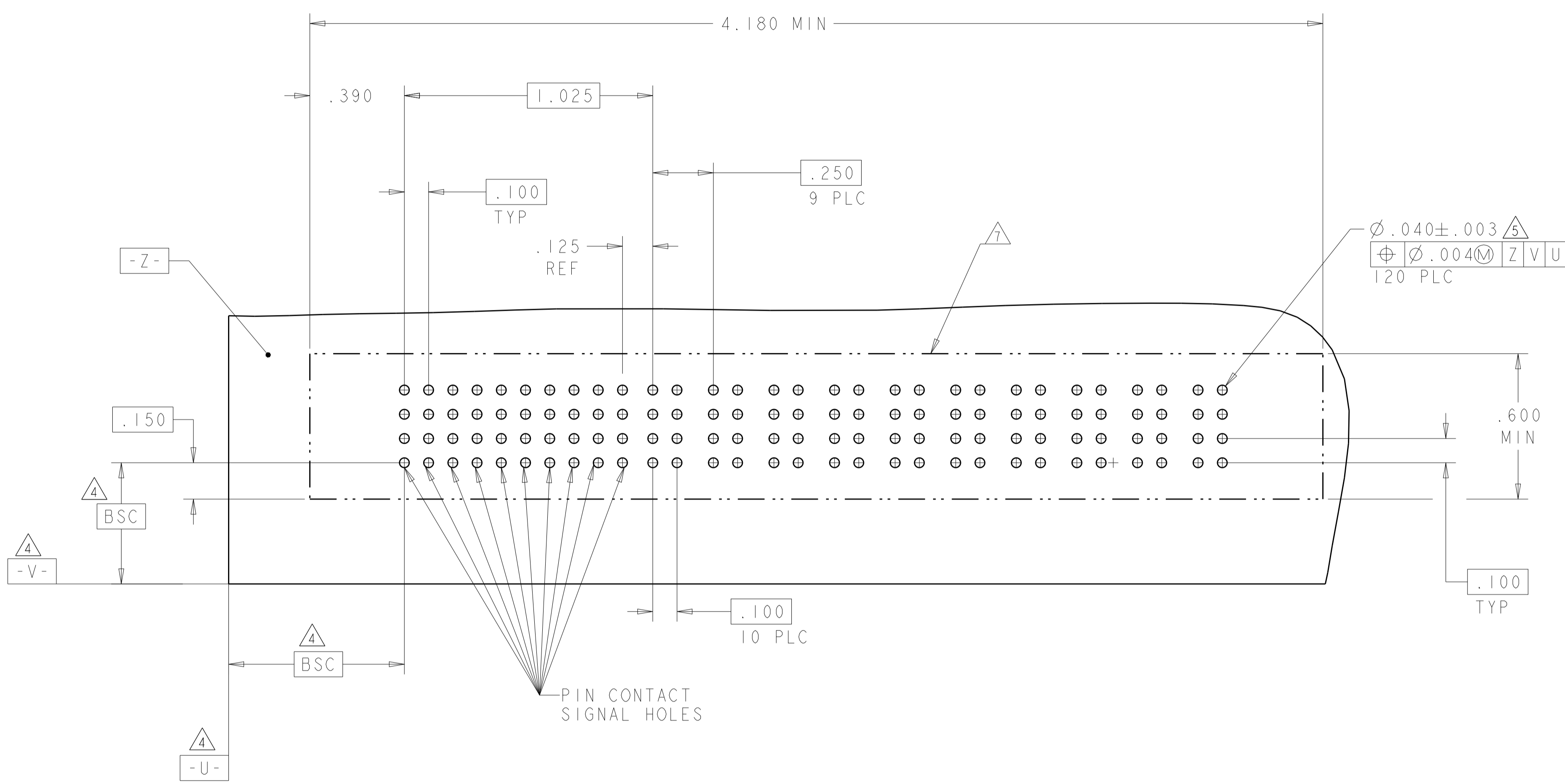


MATING SEQUENCE	DESCRIPTION	IDENTIFIER
-	RETENTION CLIP	HD
MLBF	SIGNAL CONTACT	ES
STANDARD	SIGNAL CONTACT	EV
-	POWER CONTACT	VM

THIS DRAWING IS A CONTROLLED DOCUMENT.		DMN J. McCLINTON 15AUG05	TE Connectivity NAME VERTICAL HEADER ASSEMBLY, W/GUIDES, PRESS FIT, TYPE SP, MULTI-BEAM XL SIZE CAGE CODE DRAWING NO RESTRICTED TO A100779C=6600323 WEIGHT CUSTOMER DRAWING SCALE 3:1 SHEET 2 OF 7 REV E5
DIMENSIONS:	TOLERANCES UNLESS OTHERWISE SPECIFIED:	CHK D. TROUT 15AUG05	
INCH	0 PLC ± 1 PLC ± 2 PLC ± 3 PLC ±0.005 4 PLC ±0.0005 ANGLES ±	APVD P. WHYNE 15AUG05	
MATERIAL	FINISH	PRODUCT SPEC APPLICATION SPEC	

LOC	DIST	REVISIONS					
		P	LTN	DESCRIPTION	DATE	DMN	APVD
ES	00	-	-	SEE SHEET 1	-	-	-

PART NUMBER	ROWS	SIGNAL										POWER									
		1	2	3	4	5	6	7	8	9	10	P1	P2	P3	P4	P5	P6	P7	P8	P9	P10
6600323-5	D	EV	EV	EV	EV	EV	EV	EV	EV	EV	EV	VM	VM	VM	VM	VM	VM	VM	VM	VM	VM
	C	EV	EV	EV	EV	EV	EV	EV	EV	EV	EV	VM	VM	VM	VM	VM	VM	VM	VM	VM	VM
	B	EV	EV	EV	EV	EV	EV	EV	EV	EV	EV	VM	VM	VM	VM	VM	VM	VM	VM	VM	VM
	A	EV	EV	EV	EV	EV	EV	EV	EV	EV	EV	VM	VM	VM	VM	VM	VM	VM	VM	VM	VM
40S+10P																					



RECOMMENDED PCB LAYOUT 6600323-5
 SCALE 3:1

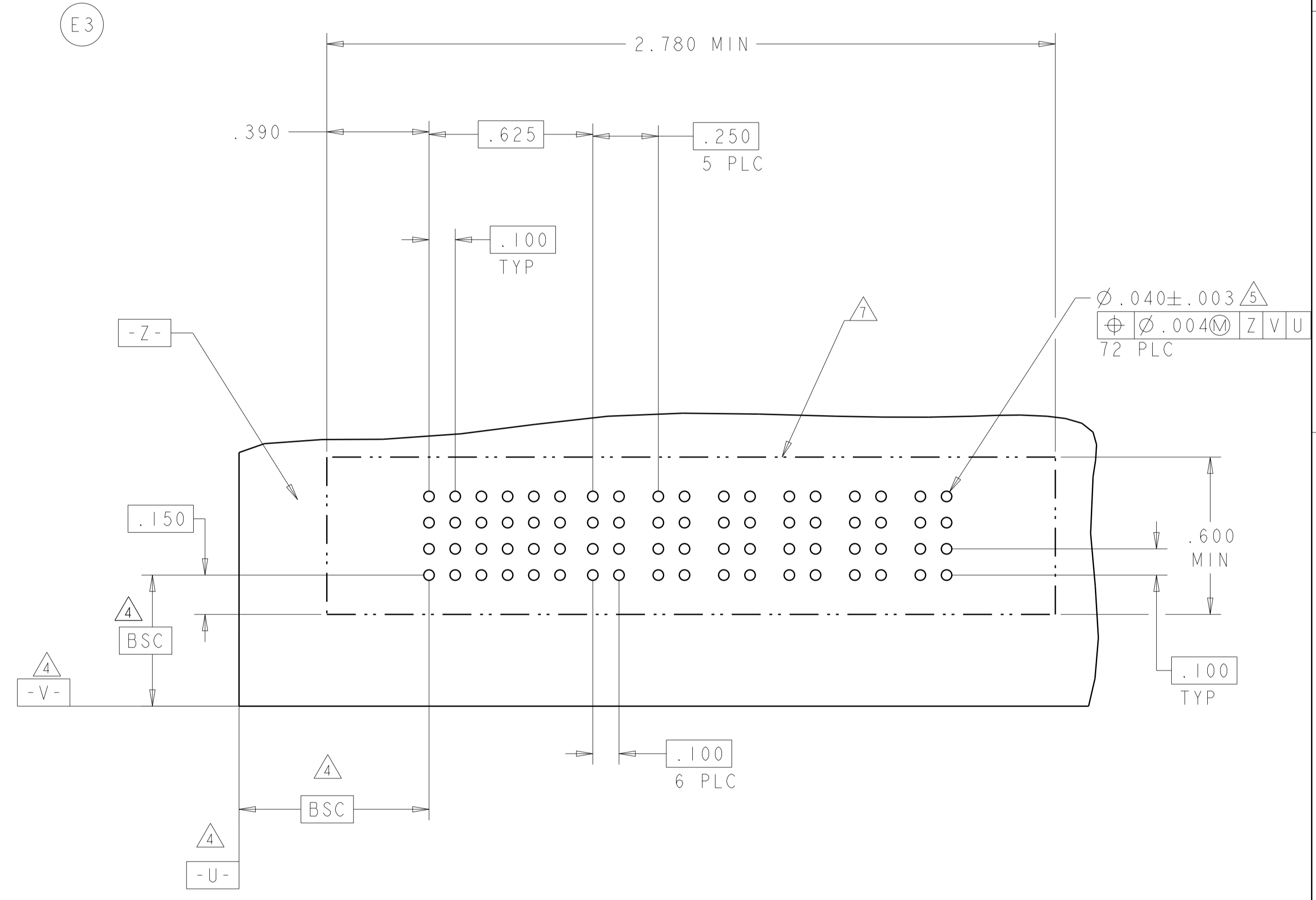
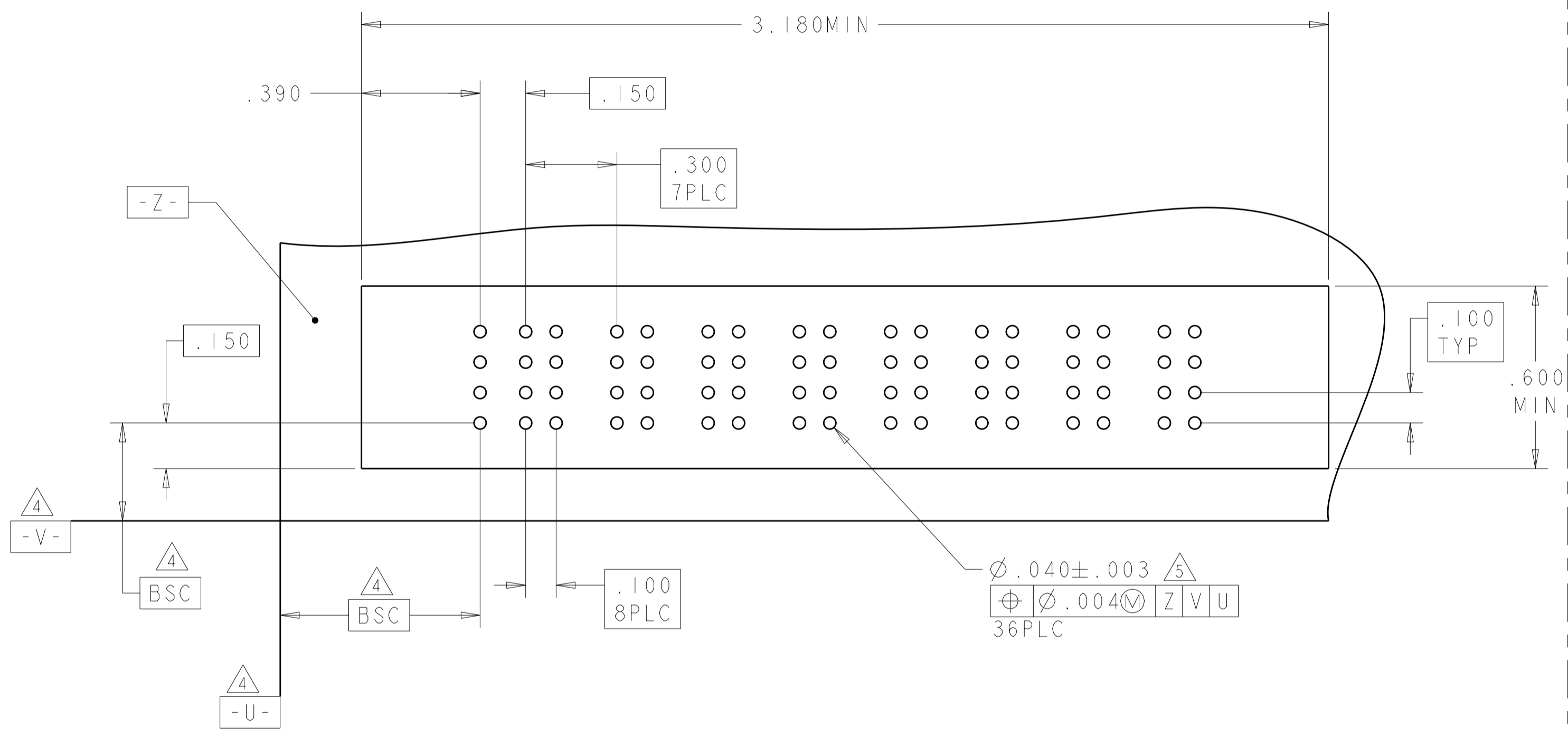
THIS DRAWING IS A CONTROLLED DOCUMENT.		DMN J. McCLINTON 15AUG05	
DIMENSIONS: INCH		CHK D. TROUT 15AUG05	
		TOLERANCES UNLESS OTHERWISE SPECIFIED: 0 PLC ± 1 PLC ± 2 PLC ± 3 PLC ±0.005 4 PLC ±0.0005 ANGLES ±	NAME VERTICAL HEADER ASSEMBLY, W/GUIDES, PRESS FIT, TYPE SP, MULTI-BEAM XL
MATERIAL		APVD P. WHYNE 15AUG05	SIZE CAGE CODE DRAWING NO A100779 C=6600323
		FINISH	RESTRICTED TO CUSTOMER DRAWING
		WEIGHT	SCALE 3:1 SHEET 3 OF 7 REV E5

LOC	DIST	REV	DATE	BY	APPV
ES	00				

REVISIONS					
REV	DATE	BY	APPV	DESCRIPTION	DATE
-	-	-	-	SEE SHEET 1	-

PART NUMBER	ROWS	SIGNAL										POWER							
		I	P1	P2	P3	P4	P5	P6	P7	P8									
6600323-6	D	EV																	
	C	EV	VM	VM	VM	VM	VM	VM	VM	VM	VM								
	B	EV																	
	A	EV																	
4S + 8ACP																			

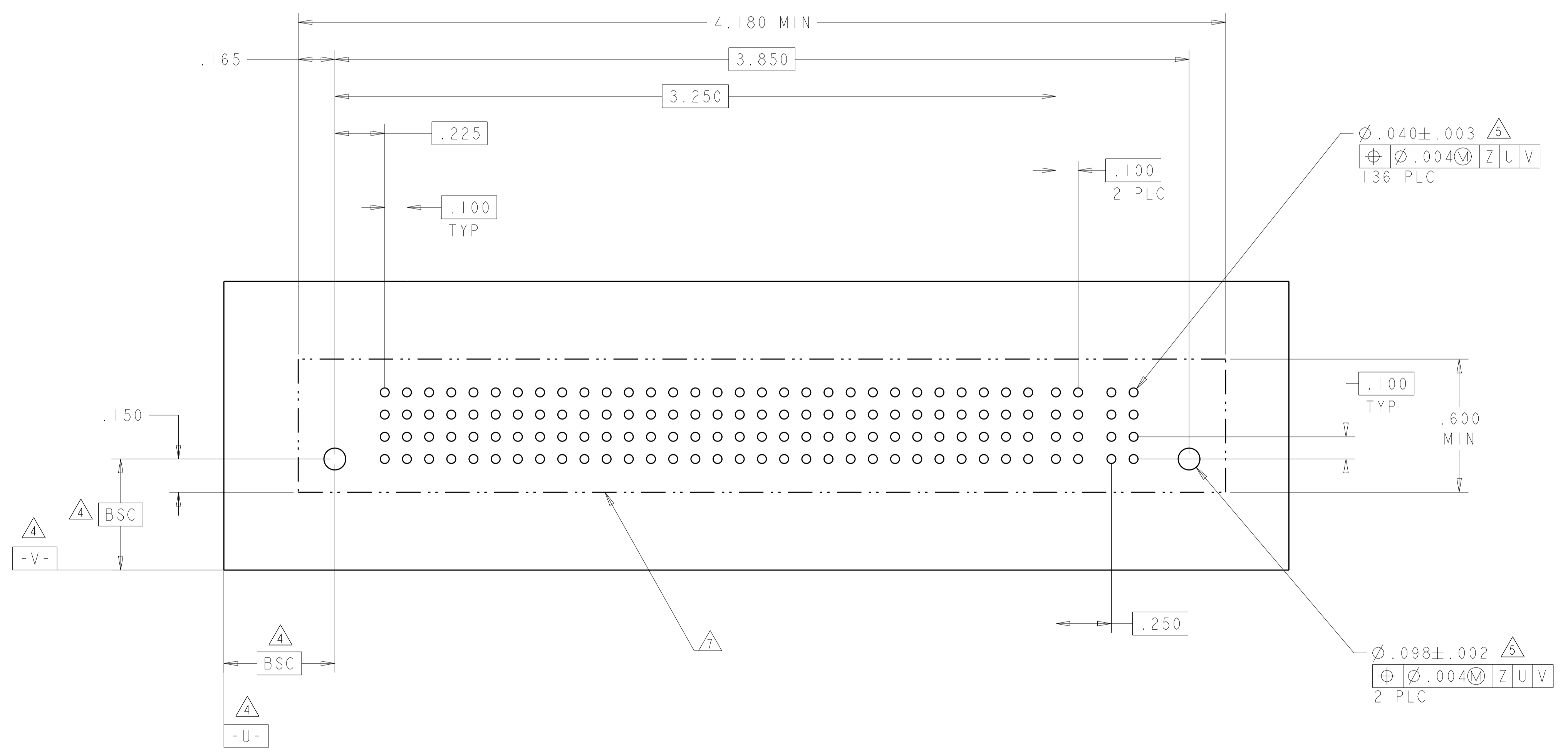
PART NUMBER	ROWS	SIGNAL						POWER					
		1	2	3	4	5	6	P1	P2	P3	P4	P5	P6
6600323-3	D	EV	EV	EV	EV	EV	EV	VM	VM	VM	VM	VM	VM
	C	EV	EV	EV	EV	EV	EV						
	B	EV	EV	EV	EV	EV	EV						
	A	EV	EV	EV	EV	EV	EV						
24S+6P													



THIS DRAWING IS A CONTROLLED DOCUMENT.		DWN J. McCLINTON 15AUG05 CHK D. TROUT 15AUG05 APVD P. WHYNE 15AUG05	TE Connectivity
DIMENSIONS: INCH	TOLERANCES UNLESS OTHERWISE SPECIFIED: 0 PLC ± 1 PLC ± 2 PLC ± 3 PLC ±0.005 4 PLC ±0.0005 ANGLES ±	NAME VERTICAL HEADER ASSEMBLY, W/GUIDES, PRESS FIT, TYPE SP, MULTI-BEAM XL	
MATERIAL	FINISH	WEIGHT CUSTOMER DRAWING	SIZE CAGE CODE DRAWING NO A100779C=6600323
		SCALE 3:1 SHEET 4 OF 7 REV E5	

LOC		DIST		REVISIONS				
ES	00	P	LTN	DESCRIPTION	DATE	DMN	APVD	
-	-	-	-	SEE SHEET 1	-	-	-	

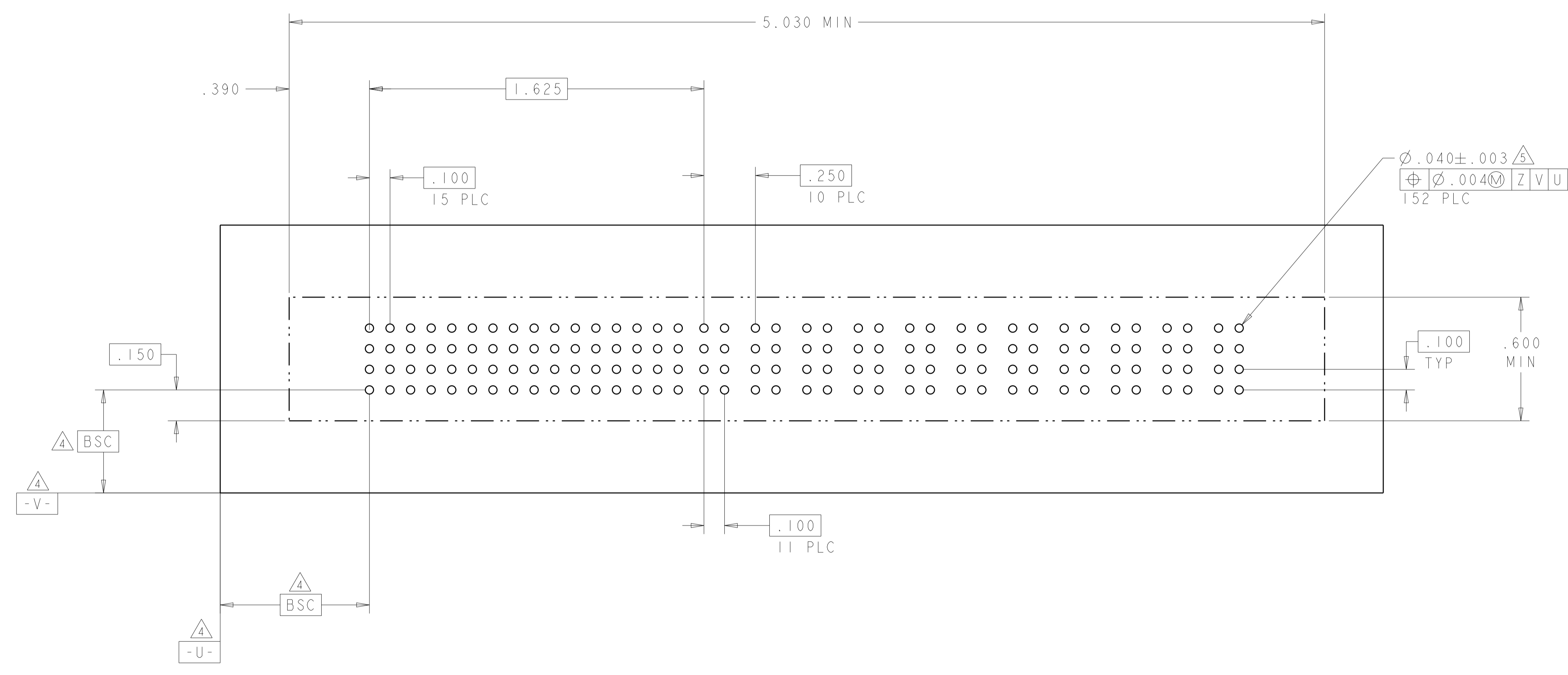
PART NUMBER	ROWS	SIGNAL																														POWER		
		1	2	3	4	5	6	7	8	9	10	11	12	13	14	15	16	17	18	19	20	21	22	23	24	25	26	27	28	29	30	P1	P2	
6600323-7	D	EV	EV	EV	EV	EV	EV	EV	EV	EV	EV	EV	EV	EV	EV	EV	EV	EV	EV	EV	EV	EV	EV	EV	EV	EV	EV	EV	EV	EV	EV	EV	VM	VM
	C	EV	EV	EV	EV	EV	EV	EV	EV	EV	EV	EV	EV	EV	EV	EV	EV	EV	EV	EV	EV	EV	EV	EV	EV	EV	EV	EV	EV	EV	EV	EV	EV	EV
	B	EV	EV	EV	EV	EV	EV	EV	EV	EV	EV	EV	EV	EV	EV	EV	EV	EV	EV	EV	EV	EV	EV	EV	EV	EV	EV	EV	EV	EV	EV	EV	EV	EV
	A	EV	EV	EV	EV	EV	EV	EV	EV	EV	EV	EV	EV	EV	EV	EV	EV	EV	EV	EV	EV	EV	EV	EV	EV	EV	EV	EV	EV	EV	EV	EV	EV	EV
120S + 2P																																		



THIS DRAWING IS A CONTROLLED DOCUMENT.		DMN J. McCLINTON 15AUG05	 TE Connectivity														
DIMENSIONS: INCH		CHK D. TROUT 15AUG05															
TOLERANCES UNLESS OTHERWISE SPECIFIED:		APVD P. WHYNE 15AUG05	NAME VERTICAL HEADER ASSEMBLY, W/GUIDES, PRESS FIT, TYPE SP, MULTI-BEAM XL														
<table border="1"> <tr> <td>0 PLC</td><td>±</td></tr> <tr> <td>1 PLC</td><td>±</td></tr> <tr> <td>2 PLC</td><td>±</td></tr> <tr> <td>3 PLC</td><td>±0.005</td></tr> <tr> <td>4 PLC</td><td>±0.0005</td></tr> <tr> <td>ANGLES</td><td>±</td></tr> <tr> <td>FINISH</td><td></td></tr> </table>		0 PLC	±	1 PLC	±	2 PLC	±	3 PLC	±0.005	4 PLC	±0.0005	ANGLES	±	FINISH		PRODUCT SPEC	SIZE A100779
0 PLC	±																
1 PLC	±																
2 PLC	±																
3 PLC	±0.005																
4 PLC	±0.0005																
ANGLES	±																
FINISH																	
MATERIAL		APPLICATION SPEC	CAGE CODE C=6600323														
		WEIGHT	DRAWING NO 6600323														
		CUSTOMER DRAWING	RESTRICTED TO														
		SCALE 3:1	SHEET 5 OF 7														
			REV E5														

LOC	DIST	REVISIONS					
		P	LTN	DESCRIPTION	DATE	DMN	APVD
ES	00	-	-	SEE SHEET 1	-	-	-

PART NUMBER	ROWS	SIGNAL																POWER											
		1	2	3	4	5	6	7	8	9	10	11	12	13	14	15	16	P1	P2	P3	P4	P5	P6	P7	P8	P9	P10	P11	
6600323-8	D	EV	EV	EV	EV	EV	EV	EV	EV	EV	EV	EV	EV	EV	EV	EV	VM	VM	VM	VM	VM	VM	VM	VM	VM	VM	VM	VM	
	C	EV	EV	EV	EV	EV	EV	EV	EV	EV	EV	EV	EV	EV	EV	EV													
	B	EV	EV	EV	EV	EV	EV	EV	EV	EV	EV	EV	EV	EV	EV	EV													
	A	EV	EV	EV	EV	EV	EV	EV	EV	EV	EV	EV	EV	EV	EV	EV													
64S + IIP																													

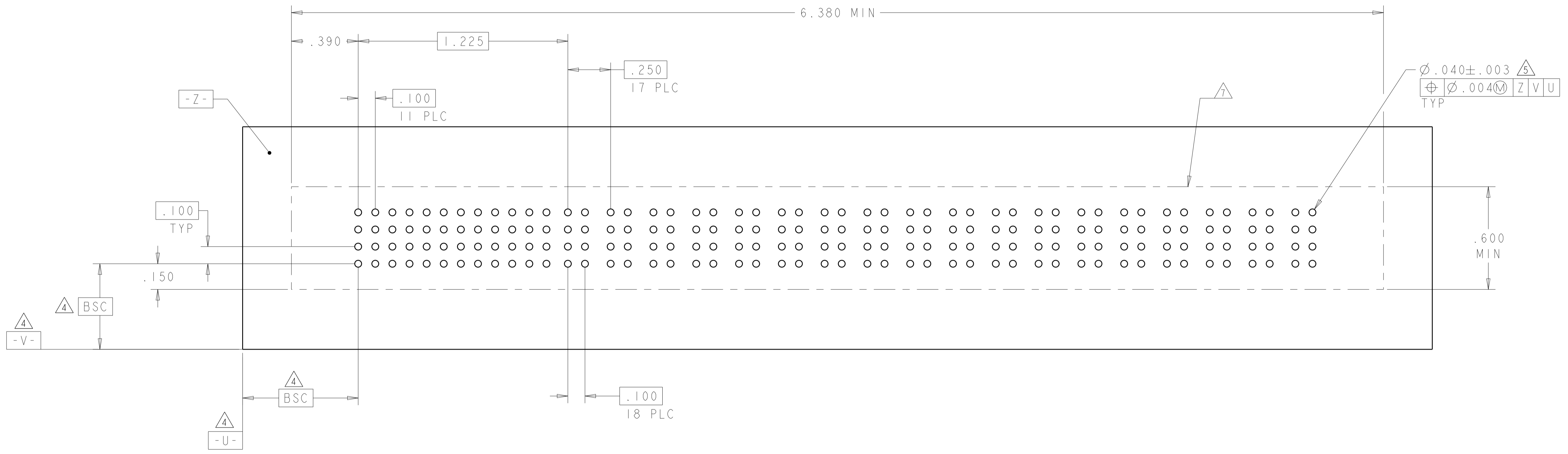


THIS DRAWING IS A CONTROLLED DOCUMENT.		DMN	J. McCLINTON	15AUG05	TE Connectivity NAME VERTICAL HEADER ASSEMBLY, W/GUIDES, PRESS FIT, TYPE SP, MULTI-BEAM XL	
DIMENSIONS: INCH		CHK	D. TROUT	15AUG05		
TOLERANCES UNLESS OTHERWISE SPECIFIED: 0 PLC ± 1 PLC ± 2 PLC ± 3 PLC ±0.005 4 PLC ±0.0005 ANGLES ±		APVD	P. WHYNE	15AUG05	PRODUCT SPEC APPLICATION SPEC WEIGHT RESTRICTED TO	
MATERIAL		SIZE		CAGE CODE	DRAWING NO	RESTRICTED TO
		A100779		C=6600323		
CUSTOMER DRAWING		SCALE		3:1	SHEET	6 OF 7
		REV		E5		

LOC	DIST	REVISIONS			
P	LTN	DESCRIPTION	DATE	DMN	APVD
ES	00	- SEE SHEET 1	-	-	-

PART NUMBER	ROWS	SIGNAL												POWER																	
		1	2	3	4	5	6	7	8	9	10	11	12	P1	P2	P3	P4	P5	P6	P7	P8	P9	P10	P11	P12	P13	P14	P15	P16	P17	P18
6600323-9	D	EV	EV	EV	EV	EV	EV	EV	EV	EV	EV	EV	EV	VM	VM	VM	VM	VM	VM	VM	VM	VM	VM	VM	VM	VM	VM	VM	VM	VM	VM
	C	EV	EV	EV	EV	EV	EV	EV	EV	EV	EV	EV	EV	VM	VM	VM	VM	VM	VM	VM	VM	VM	VM	VM	VM	VM	VM	VM	VM	VM	VM
	B	EV	EV	EV	EV	EV	EV	EV	EV	EV	EV	EV	EV	VM	VM	VM	VM	VM	VM	VM	VM	VM	VM	VM	VM	VM	VM	VM	VM	VM	VM
	A	EV	EV	EV	EV	EV	EV	EV	EV	EV	EV	EV	EV	VM	VM	VM	VM	VM	VM	VM	VM	VM	VM	VM	VM	VM	VM	VM	VM	VM	VM
48S + 18P																															

(E1)



THIS DRAWING IS A CONTROLLED DOCUMENT.		DMN J. McCLINTON 15AUG05	TE Connectivity
DIMENSIONS: INCH		CHK D. TROUT 15AUG05	
		APVD P. WHYNE 15AUG05	NAME VERTICAL HEADER ASSEMBLY, W/GUIDES, PRESS FIT, TYPE SP, MULTI-BEAM XL
TOLERANCES UNLESS OTHERWISE SPECIFIED:		PRODUCT SPEC	SIZE A100779
0 PLC ± 1 PLC ± 2 PLC ± 3 PLC ±0.005 4 PLC ±0.0005 ANGLES ±		APPLICATION SPEC	DRAWING NO C=6600323
MATERIAL		WEIGHT	RESTRICTED TO
FINISH		CUSTOMER DRAWING	SCALE 3:1
		SHEET 7	OF 7
		REV E5	

单击下面可查看定价，库存，交付和生命周期等信息

[>>TE Connectivity\(泰科\)](#)