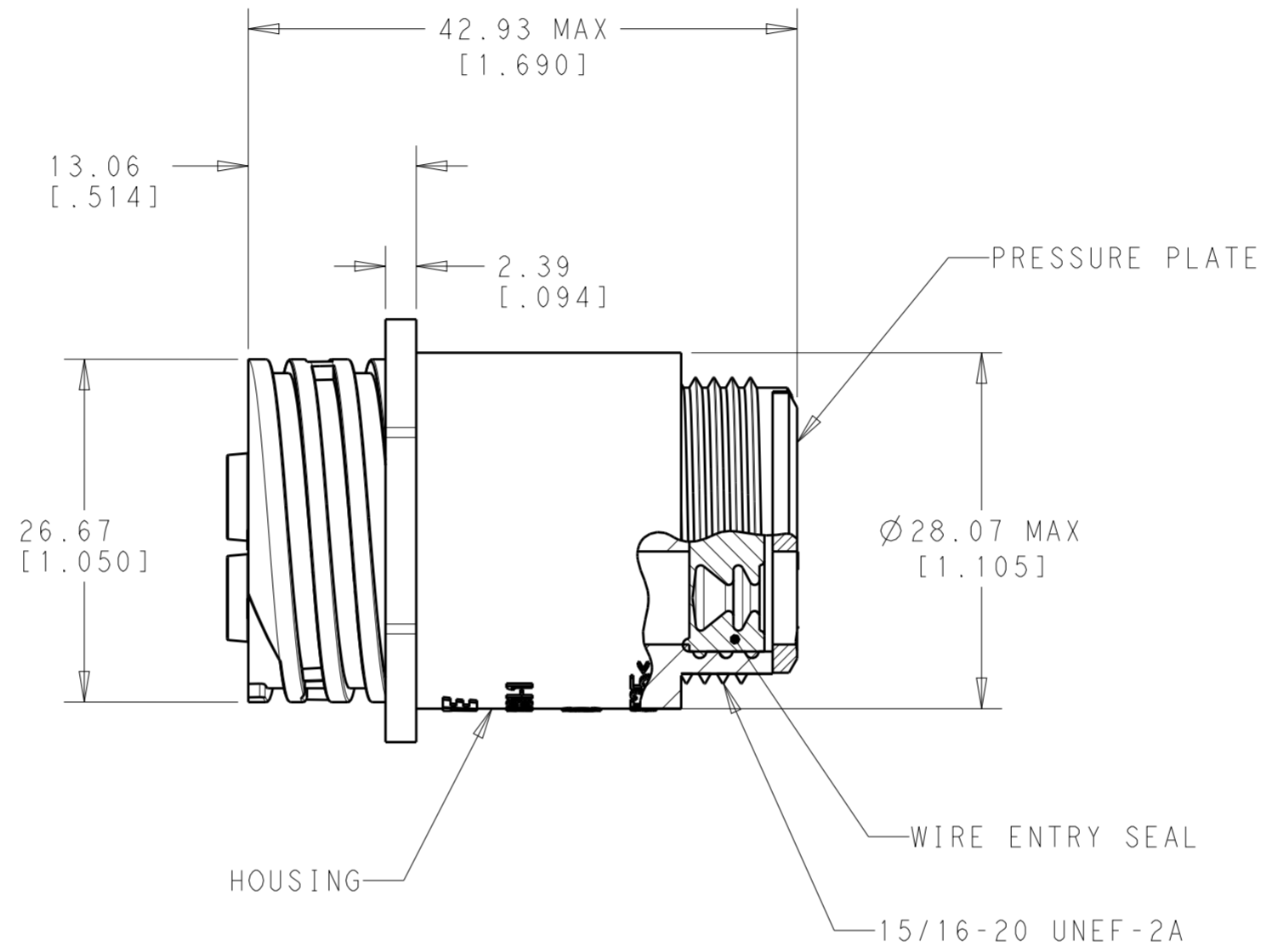
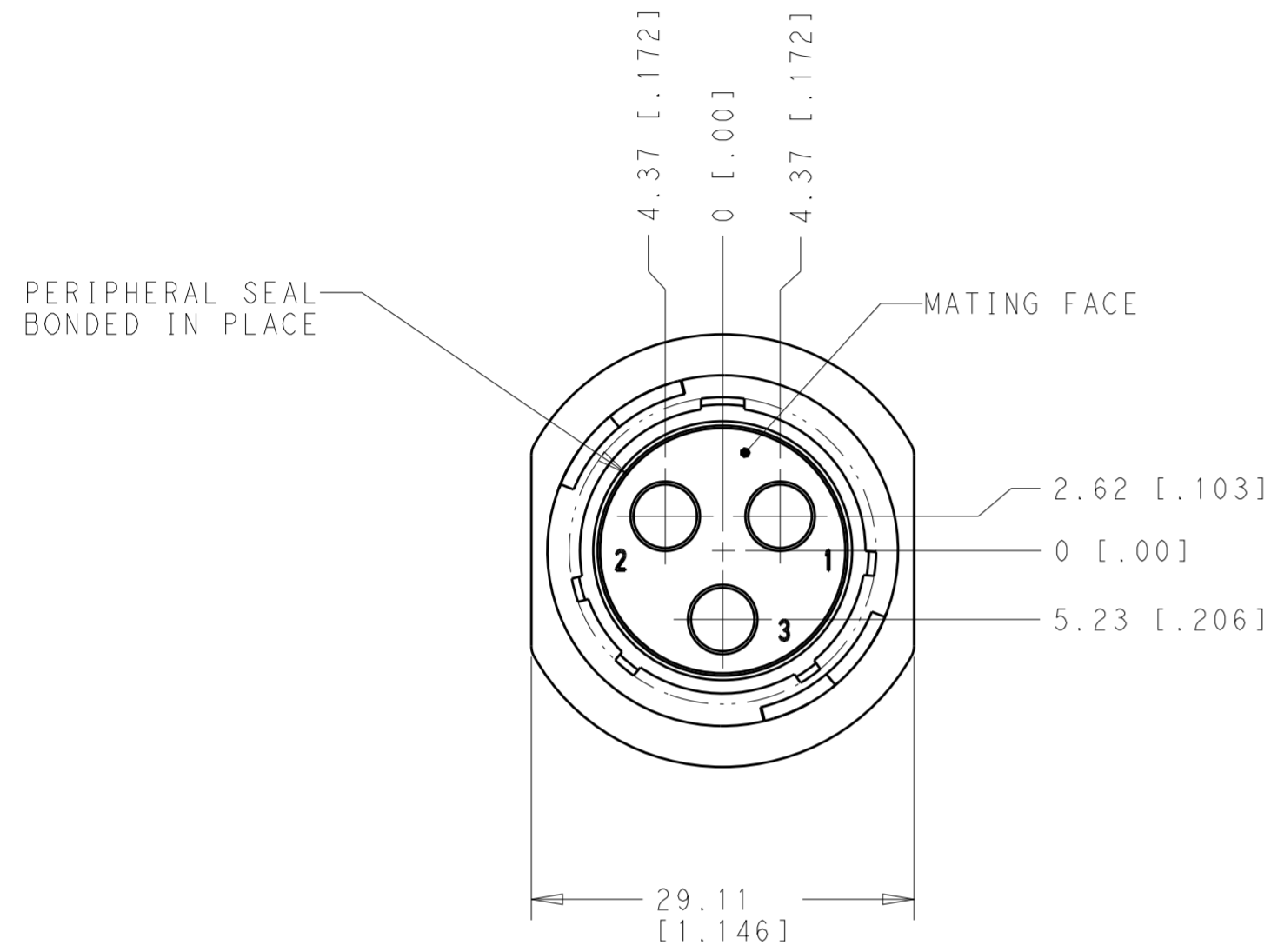
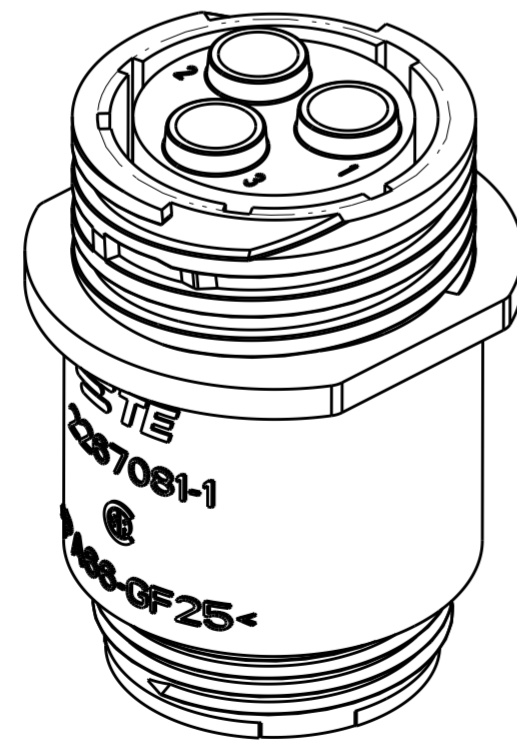


THIS DRAWING IS UNPUBLISHED. RELEASED FOR PUBLICATION 20  
 © COPYRIGHT 20 BY - ALL RIGHTS RESERVED.

REVISIONS				
P	LTR	DESCRIPTION	DATE	APVD
B		REVISED PER ECO-15-014300	08OCT2015	NK MZ
C		REVISED PER ECO-19-011232	08AUG2019	RS MZ



- 1 HOUSING & PRESSURE PLATE: NYLON, BLACK.  
 WIRE ENTRY SEAL: ELASTOMER, YELLOW.  
 PERIPHERAL SEAL: ELASTOMER, BLACK.
- 2. WILL ACCEPT (3) POWER BAND SOCKET CONTACTS.



2.41-5.21 [.095-.205]	2267081-1
INSULATION RANGE	PART NUMBER

THIS DRAWING IS A CONTROLLED DOCUMENT.		DWN 27FEB2014 NAGALAKSHMI, K	<b>STE</b> TE Connectivity	
DIMENSIONS: mm [INCHES]		CHK 27FEB2014 ZITTO, MARK		
TOLERANCES UNLESS OTHERWISE SPECIFIED:		APVD 27FEB2014 ZITTO, MARK	NAME CPC FREE HANGING RECEPTACLE ASSY, SERIES 5, SEALED, 17-3, REVERSE SEX, UV RESISTANT	
0 PLC ±	1 PLC ±	PRODUCT SPEC 108-1579	SIZE A2	CAGE CODE 00779
2 PLC ±0.5 [.02]	3 PLC ±	APPLICATION SPEC -	DRAWING NO C-2267081	RESTRICTED TO -
4 PLC ±	ANGLES ±	WEIGHT -	SCALE 2:1	SHEET 1 OF 1
MATERIAL	FINISH	CUSTOMER DRAWING	REV C	

单击下面可查看定价，库存，交付和生命周期等信息

[>>TE Connectivity\(泰科\)](#)