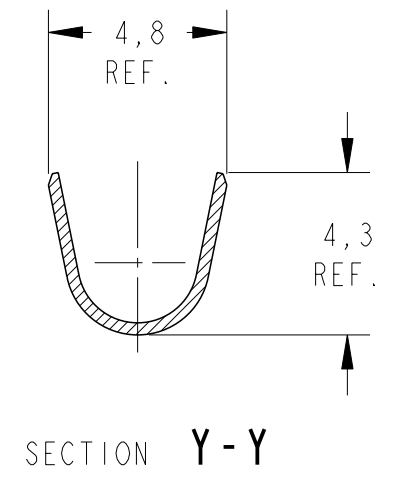
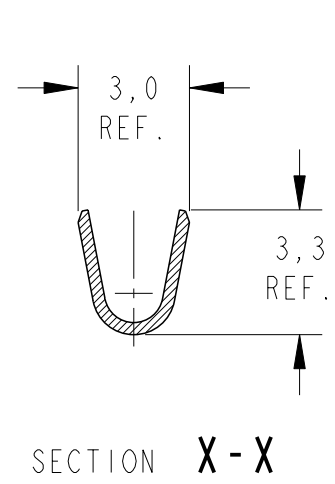
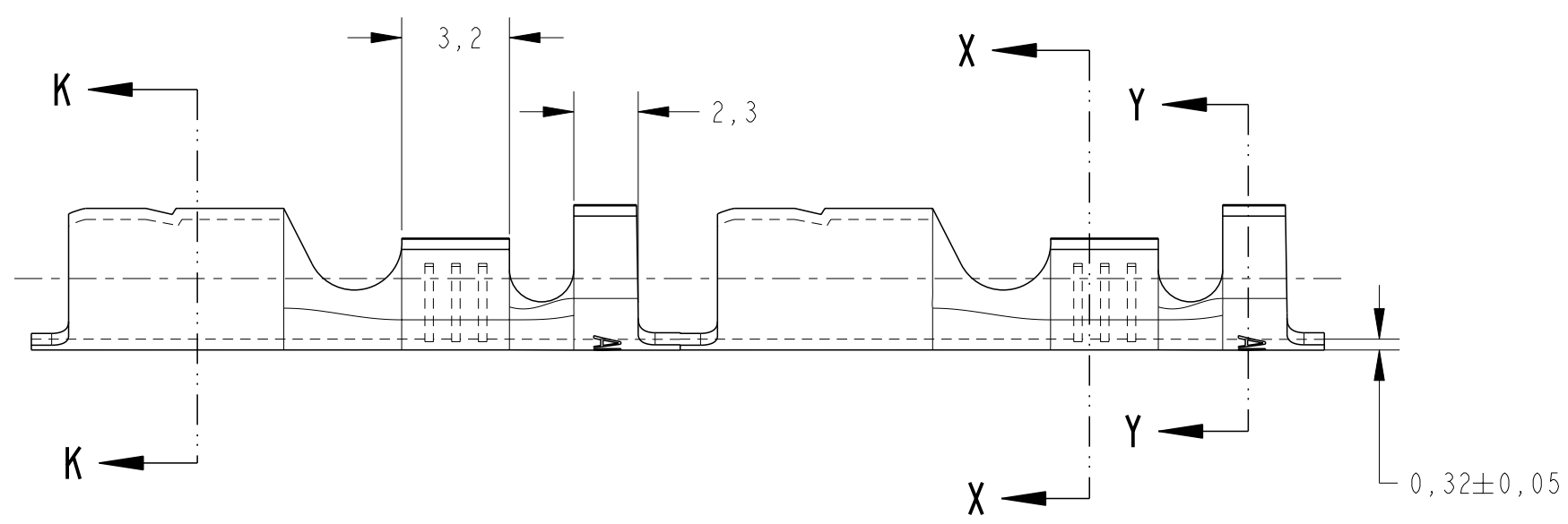
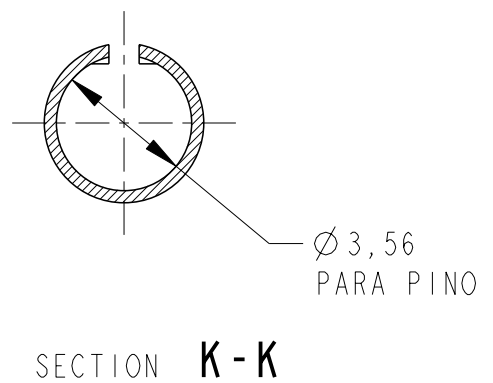
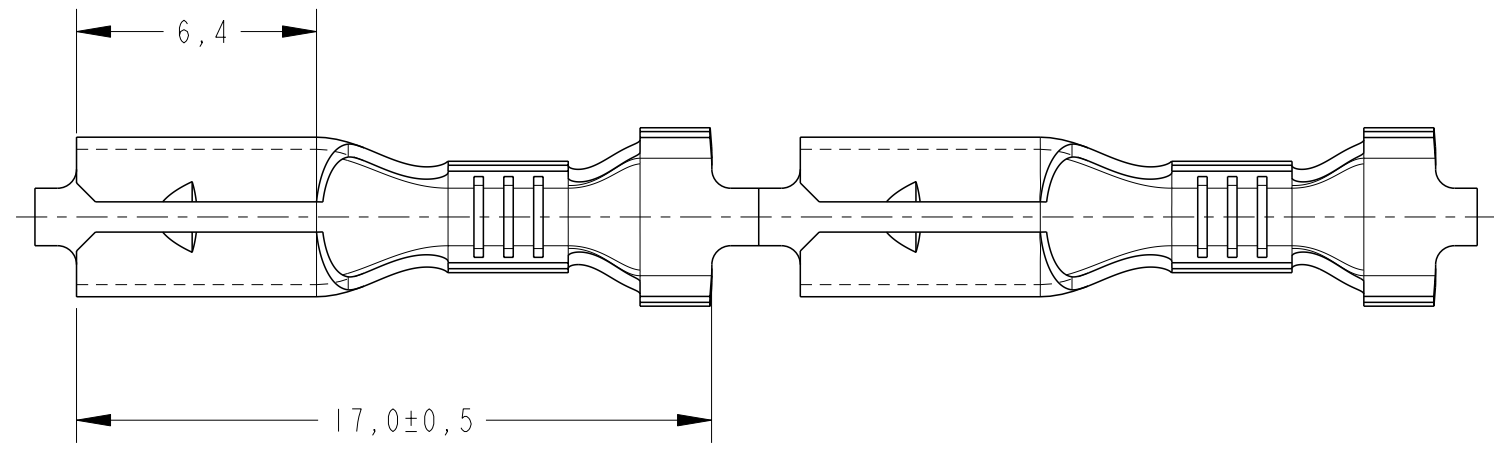


THIS DRAWING IS UNPUBLISHED. RELEASED FOR PUBLICATION 20  
 © COPYRIGHT 20 BY TYCO ELECTRONICS CORPORATION. ALL RIGHTS RESERVED.

LOC	DIST	REVISIONS				
P	LTR	DESCRIPTION	DATE	DWN	APVD	
AP	-					
C		REDRAWN BY CAD ECO-07-006139	21MAR2007	NCL	MR	
D		REVISED DRAWING ECO-11-000075	05JAN2011	NCL	ASV	



WIRE RANGE 20-16AWG	626212-2	ESTANHADO	LATÃO	626399-2
INSUL RANGE Ø 2,3-3,3mm	626212-1	—	LATÃO	626399-1
	PEÇA SOLTA	FINISH	MATERIAL	PART NO
<small>THIS DRAWING IS A CONTROLLED DOCUMENT FOR TYCO ELECTRONICS CORPORATION          IT IS SUBJECT TO CHANGE AND THE CONTROLLING ENGINEERING ORGANIZATION          SHOULD BE CONTACTED FOR THE LATEST REVISION.</small>		DWN NLAPRESA 21MAR2007	TYCO ELECTRONICS Brasil LTDA. Sao Paulo, Brasil	
DIMENSIONS: mm	TOLERANCES UNLESS OTHERWISE SPECIFIED:	CHK A. PERUSSI 21MAR2007	NAME .140 DIA SHUR PLUG RECEPTACLE	
	0 PLC ±0,4	APVD LWPRADO 21MAR2007	SIZE A3	
	1 PLC ±-	PRODUCT SPEC - / -	CAGE CODE -	DRAWING NO C-626399
	2 PLC ±-	APPLICATION SPEC - / -	RESTRICTED TO -	
	3 PLC ±-	WEIGHT - / -	SCALE 5:1	SHEET 1 OF 1
	4 PLC ±-			REV D
	ANGLES ±1°			
MATERIAL SEE TABLE	FINISH SEE TABLE	CUSTOMER DRAWING		

单击下面可查看定价，库存，交付和生命周期等信息

[>>TE Connectivity\(泰科\)](#)