

THIS DRAWING IS UNPUBLISHED.

RELEASED FOR PUBLICATION

20

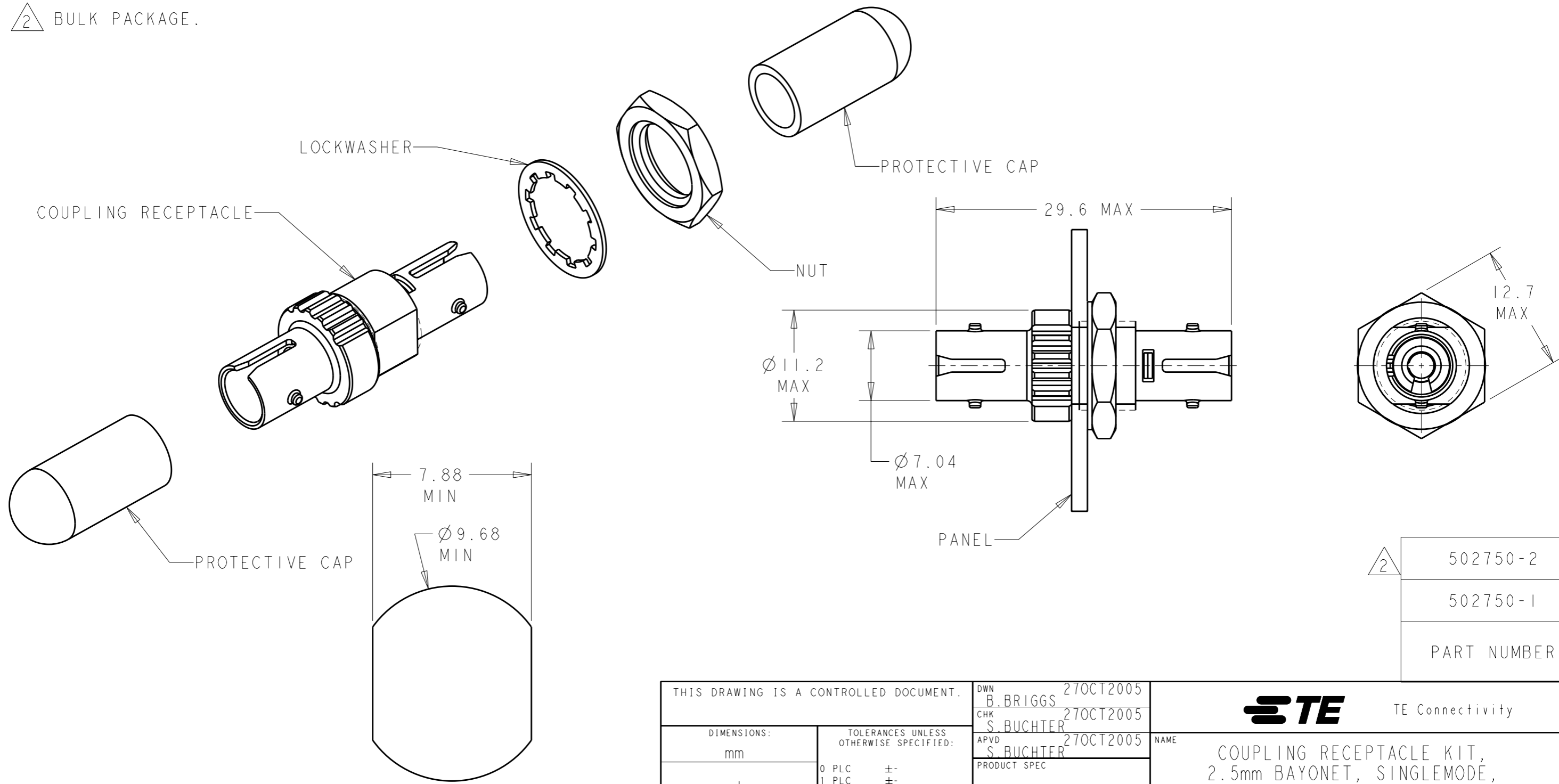
© COPYRIGHT 20 BY -

ALL RIGHTS RESERVED.


LOC	DIST	REVISIONS				
P	LTR	DESCRIPTION	DATE	DWN	APVD	
CE	00	CI	REVISED PER ECO-11-005027	18MAR2011	RK	HMR

1 MATERIAL:
 PROTECTIVE CAP: VINYL
 LOCKWASHER: STAINLESS STEEL
 NUT: NICKEL PLATED BRASS
 COUPLING RECEPTACLE:
 HOUSING: ZINC
 RETAINER: PBT, COLOR: WHITE, UL94 V-0 RATED AT QUALIFYING THICKNESS
 SLEEVE: CERAMIC

2 BULK PACKAGE.



2	502750-2
	502750-1
	PART NUMBER

THIS DRAWING IS A CONTROLLED DOCUMENT.		DWN B. BRIGGS 27OCT2005	 TE Connectivity	
DIMENSIONS: mm		CHK S. BUCHTER 27OCT2005		
TOLERANCES UNLESS OTHERWISE SPECIFIED:		APVD S. BUCHTER 27OCT2005	NAME COUPLING RECEPTACLE KIT, 2.5mm BAYONET, SINGLEMODE, OPTIMATE	
0 PLC ± 1 PLC ± 2 PLC ± 3 PLC ± 4 PLC ± ANGLES ±		PRODUCT SPEC -	SIZE A3	
MATERIAL		APPLICATION SPEC -	CAGE CODE 300779	DRAWING NO C-502750
FINISH -		WEIGHT -	RESTRICTED TO -	
1		CUSTOMER DRAWING		SCALE 5:2
				SHEET 1 OF 1
				REV CI

SUGGESTED PANEL CUTOUT SCALE 5:1

单击下面可查看定价，库存，交付和生命周期等信息

[>>TE Connectivity\(泰科\)](#)