

THIS DRAWING IS UNPUBLISHED.

RELEASED FOR PUBLICATION

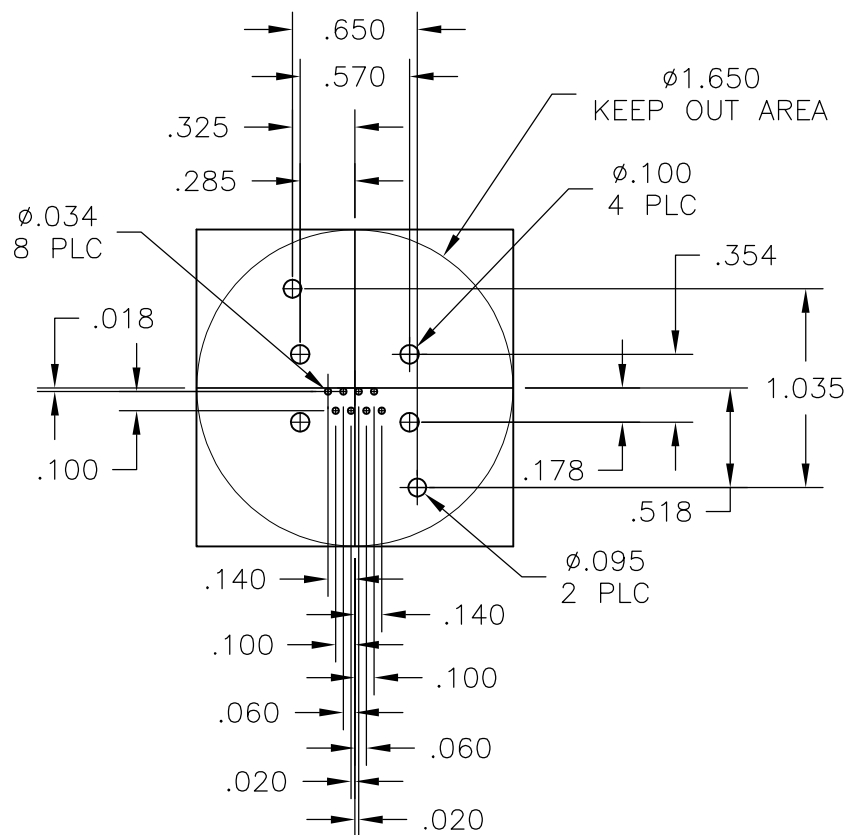
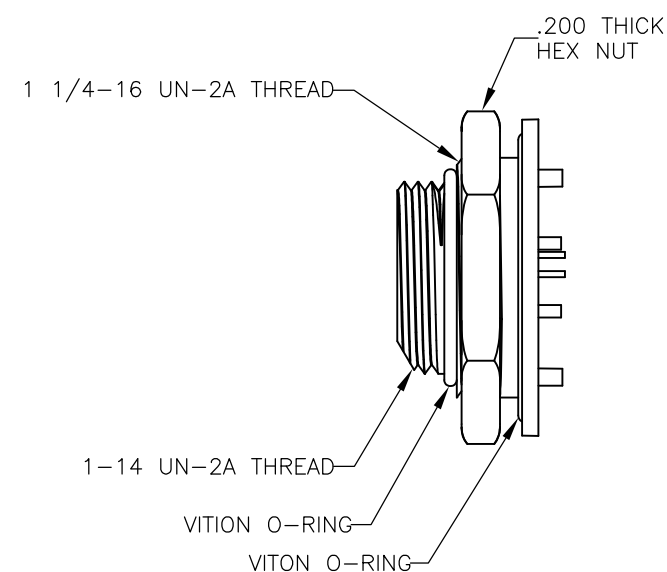
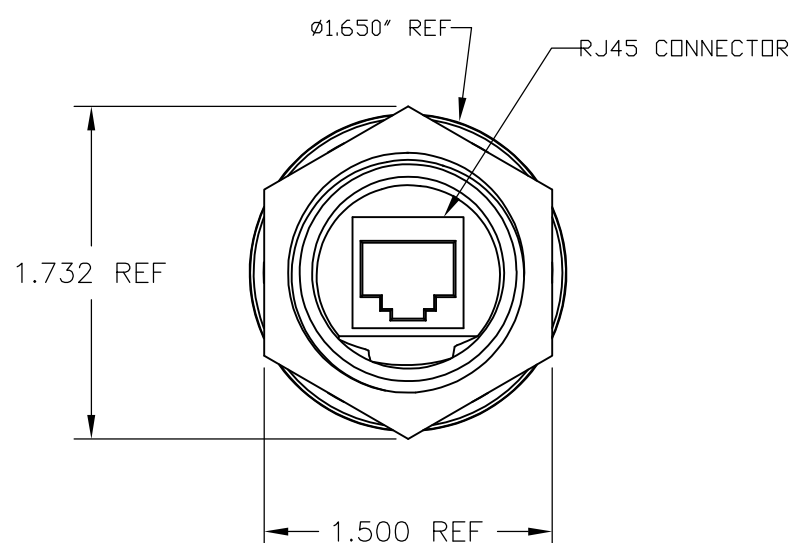
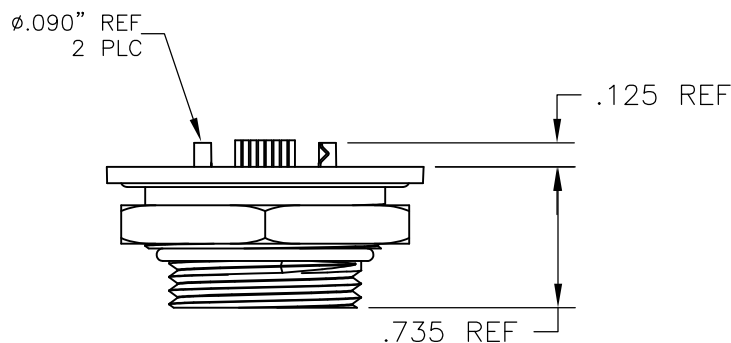
ALL RIGHTS RESERVED.

© COPYRIGHT - By -

LOC FT DIST 0

REVISIONS

| P | LTR | DESCRIPTION | DATE | DWN | APVD |
|----|-----|---------------------------|---------|-----|------|
| D1 | | REVISED PER ECO-11-004820 | 11MAR11 | RK | HMR |



RECOMMENDED PCB LAYOUT

| |
|----------------------|
| 1-1546405-1 |
| SUPERSEDED 1546405-1 |
| PART NO. |

| | | | | |
|--|--|--------------------------|--|-----------------|
| THIS DRAWING IS A CONTROLLED DOCUMENT. | | DWN S SCHLEGEL 09OCT2002 | STE TE Connectivity | |
| DIMENSIONS: INCHES | | CHK H WAKEEM 10/9/02 | | |
| TOLERANCES UNLESS OTHERWISE SPECIFIED: | | APVD H WAKEEM 10/9/02 | NAME | |
| 0 PLC ± - | | PRODUCT SPEC | DIRECT PCB MOUNT 8 PIN THROUGH HOLE RECEPTACLE, FRONT COUPLING NUT | |
| 1 PLC ± - | | APPLICATION SPEC | RESTRICTED TO | |
| 2 PLC ± .02 | | WEIGHT - | SIZE A3 | CAGE CODE 00779 |
| 3 PLC ± .005 | | | DRAWING NO C-1546405 | |
| 4 PLC ± - | | | SCALE NTS | SHEET 1 OF 1 |
| ANGLES ± 2' | | | REV D1 | |
| FINISH - | | | | |
| MATERIAL - | | | | |
| | | CUSTOMER DRAWING | | |

单击下面可查看定价，库存，交付和生命周期等信息

[>>TE Connectivity\(泰科\)](#)