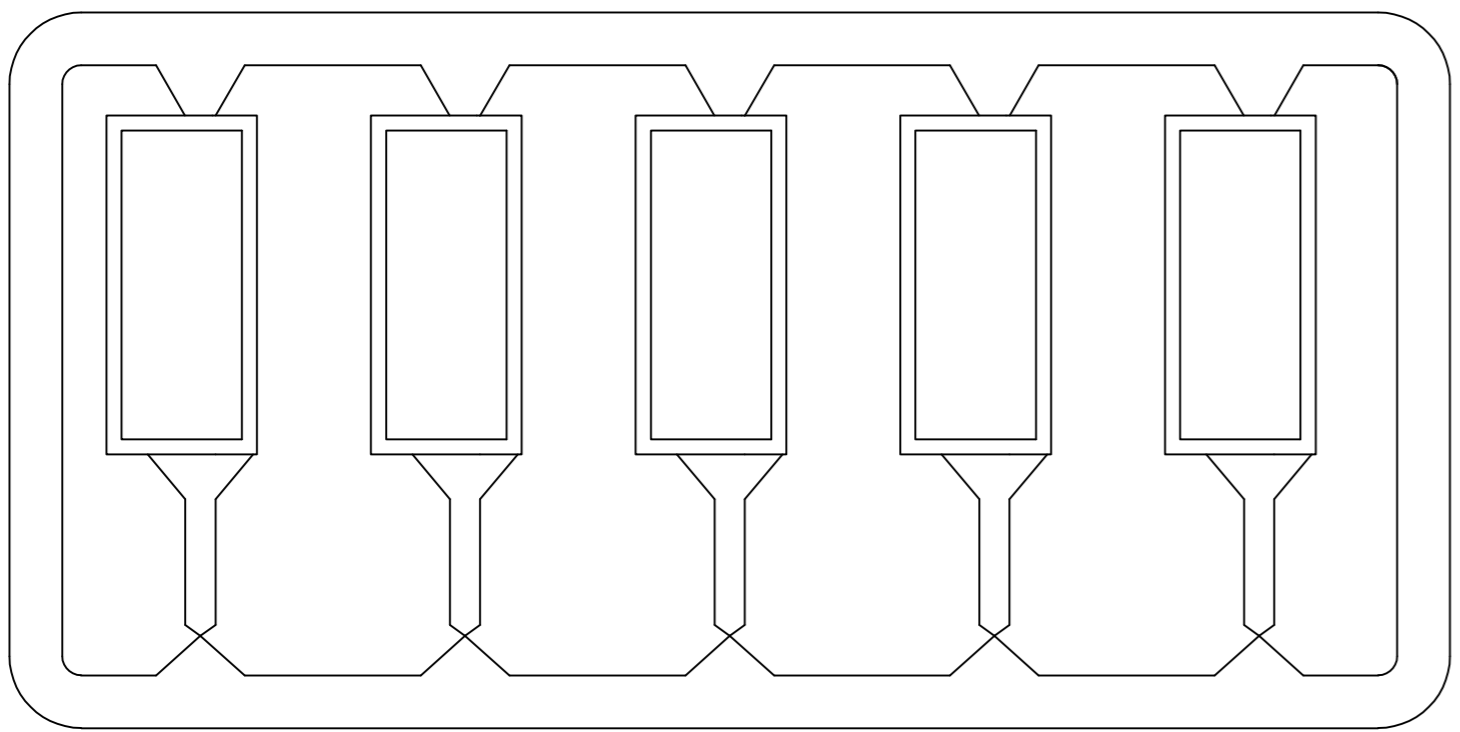
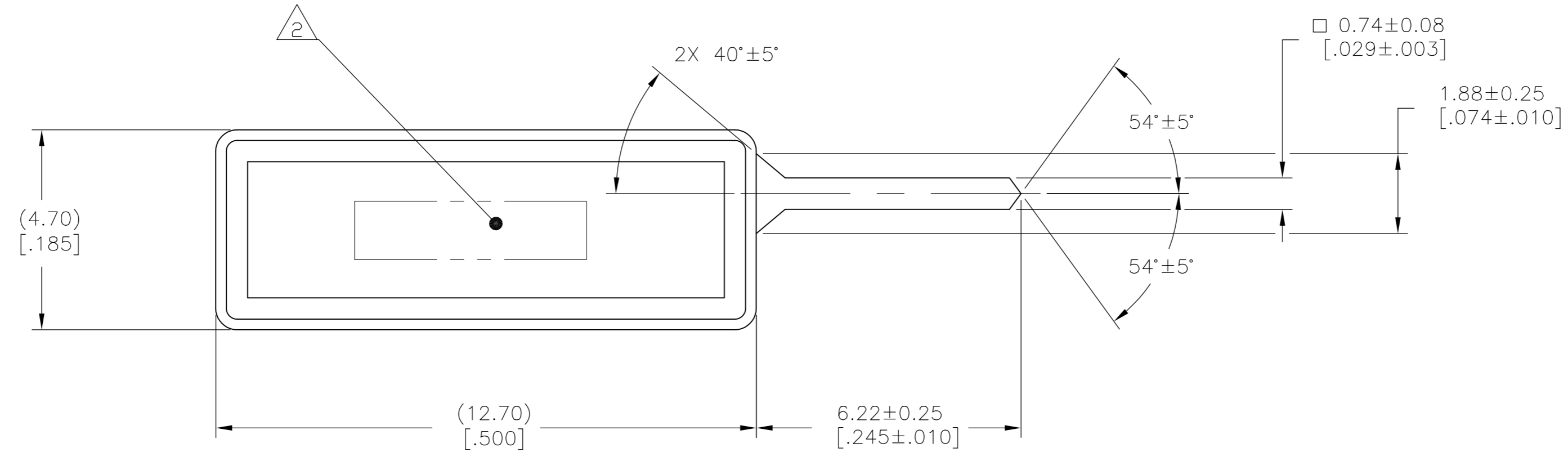


THIS DRAWING IS UNPUBLISHED. RELEASED FOR PUBLICATION APRIL, 2010.
 © COPYRIGHT 2010 BY TYCO ELECTRONICS CORPORATION. ALL INTERNATIONAL RIGHTS RESERVED.

LOC	DIST	REVISIONS					
GP	00	P	LTR	DESCRIPTION	DATE	DWN	APVD
		B		REDRAWN PER ECO-10-009143	29APR2010	CJV	CWR

- 1 MATERIAL: GLASS REINFORCED THERMOPLASTIC RATED 94V-0.
- 2 COMPANY LOGO IN APPROXIMATE AREA SHOWN.



1 PART NUMBER INCLUDES 5 PLUGS PER ABOVE

	1-1437023-2	609-0000	BLUE
OBSOLETE	4-1437025-4	636-0000	BLACK
OBSOLETE	1-1437023-5	622-0000	BLUE
	TYCO ELECTRONICS PART NUMBER	T&B PART NUMBER (REF)	COLOR

THIS DRAWING IS A CONTROLLED DOCUMENT.		DWN C. VALENTINE 29APR2010	Tyco Electronics Corporation Harrisburg, PA 17105-3608	
DIMENSIONS: mm [INCHES]		CHK C. ROHDE 29APR2010	NAME POLARIZING PLUG FEMALE SOCKET TRANSITION CONNECTOR	
TOLERANCES UNLESS OTHERWISE SPECIFIED: 0 PLC ± - 1 PLC ± - 2 PLC ± - 3 PLC ± - 4 PLC ± - ANGLES ± -		APVD C. ROHDE 29APR2010	PRODUCT SPEC APPLICATION SPEC	
MATERIAL 1	FINISH -	WEIGHT -	SIZE A2	CAGE CODE 00779
CUSTOMER DRAWING		DRAWING NO 1-1437023-2		RESTRICTED TO -
		SCALE NTS	SHEET 1 of 1	REV B

1-1437023-2

单击下面可查看定价，库存，交付和生命周期等信息

[>>TE Connectivity\(泰科\)](#)