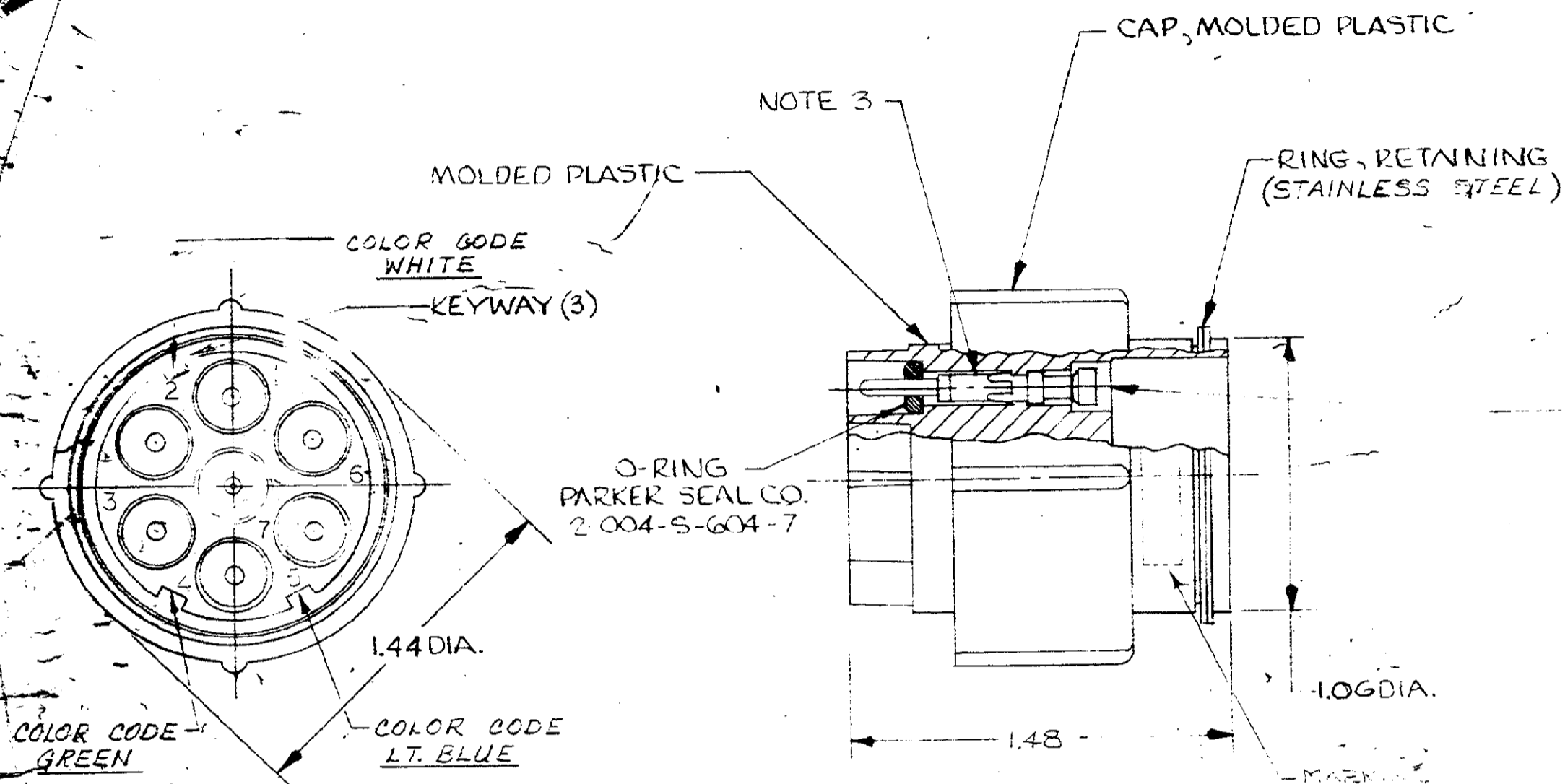


AMERICAN PROJECTION

AMP INCORPORATED. ALL RIGHTS RESERVED. AMP PRODUCTS ARE COVERED BY PATENTS AND/OR PATENT PENDING.

THIS DOCUMENT IS THE PROPERTY OF AMP INCORPORATED. IT IS TO BE KEPT IN CONFIDENTIALITY AND NOT TO BE REPRODUCED OR TRANSMITTED IN ANY FORM OR BY ANY MEANS, ELECTRONIC OR MECHANICAL, INCLUDING PHOTOCOPYING, RECORDING, OR BY ANY INFORMATION STORAGE AND RETRIEVAL SYSTEM.

REVISIONS				
ZONE	LTR	DESCRIPTION	DATE	APPROVED
	C	ADDED -3,4-4	11/74	M.A.
	D	ADDED -5	DS 10-14-75	M.A.
	E	ADDED NOTE 7	DS 2-27-76	M.A.
	F	ADDED -6	DS 10-6-76	M.A.
	G	ADDED -7,-8,-9	DS 6-28-77	M.A.
	H	OBS-3,4,5 ENDF 0376	2P 2-89	T.W.



CUSTOMER TO ATTACH LEADS & PROTECT AGAINST ARC-OVER & BREAKDOWN BY POTTING. PINS TO BE COATED WITH RTV IOS AND INSERTED IN CAVITIES, AFTER CURING FILL BACK END OF PLUG WITH HYDROL 4210 (REF AMP *S-340710-2)

NOTE:

1. PLUG ASS'Y WILL WITHSTAND WITHOUT BREAKDOWN 27 KVDC PIN TO PIN & 27 KVDC PIN TO GRD. WHEN MATED WITH RECEPTACLE 861647-1
2. MARKING TO BE WHITE
3. TO FIT OVER PIN USE EXTRA 30° TOOL 861645-1
4. PLUG & PINS TO BE SHIPPED SEPARATELY.
5. TYPE II PINS TO ACCEPT ONE (1) 20 AWG, (1) 22 AWG, OR (1) 24 AWG STRANDED WIRE
6. TYPE II PINS TO ACCEPT ONE (1) 18 AWG, OR (1) 19 AWG STRANDED WIRE

TYPE II PINS TO ACCEPT ONE (1) 14 AWG STRANDED WIRE.

AMP P/N	WIRE SIZE FANG	HAND TOOL	COLOR CODING	
861648-1	20,22,24	45099	YES	5
861648-2	16,18	45098	YES	6
861648-3	20-24 COAX	1 COAX-69656	YES	OBS
861648-4	20-24 COAX	5 COAX-69656	YES	
861648-5	14	45098	YES	7
861648-6			YES	
861648-7	20,22,24	45099	NO	8
861648-8	16,18	45098	NO	9
861648-9	14	45098	NO	10

QTY REQD	QTY REQD	ITEM NO.	DWG SIZE	PART OR IDENTIFYING NO.	NOMENCLATURE OR DESCRIPTION	SYM
-2	-1					

UNLESS OTHERWISE SPECIFIED: DIMENSIONS ARE IN INCHES TOLERANCES .00 ± .04 ANGLES = .000 ± .015		CONTRACT NO.		AMP INCORPORATED CAPITRON DIVISION ELIZABETHTOWN, PENNSYLVANIA	
MATERIAL:		DR		NAME PLUG ASSY, H.V. 7 PIN	
FINISH: BLACK		CHK		EGH	
NEXT ASSY		APPD		SIZE C	
FINAL ASSY		APPD		CODE IDENT NO. 00779	
NEXT ASSY		OTHER APPD		NUMBER 861648	
USED ON		DSGN APPD		SCALE	
APPLICATION		APPD		WT	

单击下面可查看定价，库存，交付和生命周期等信息

[>>TE Connectivity\(泰科\)](#)