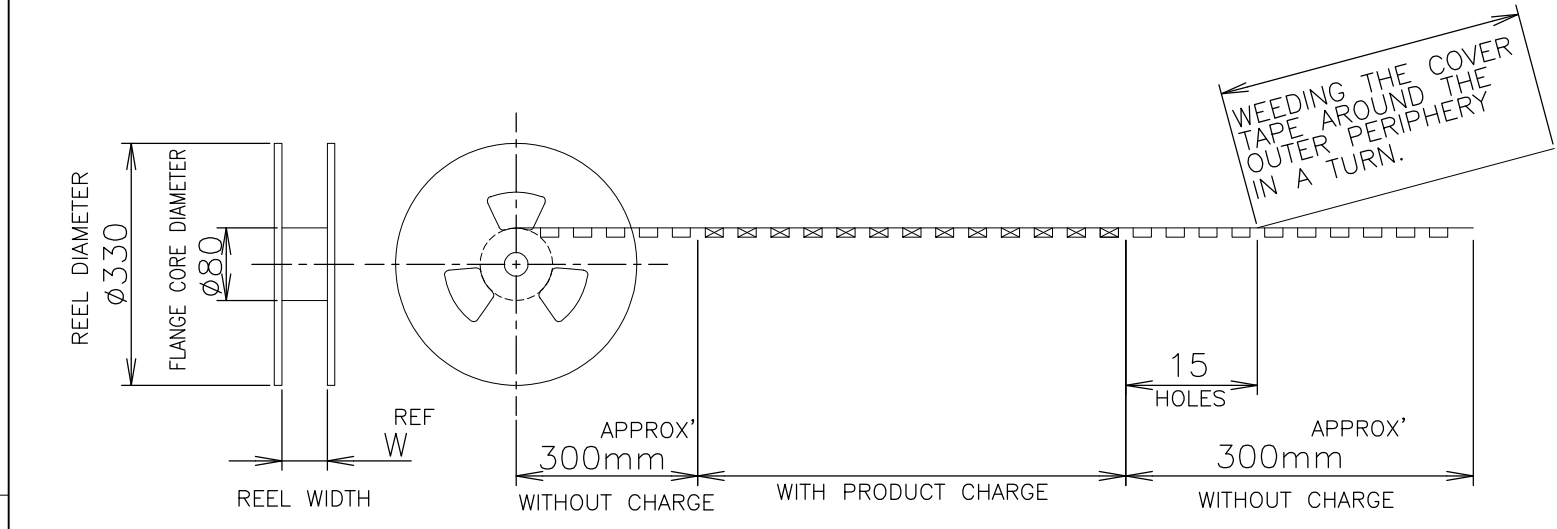
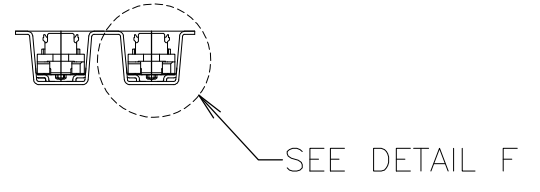
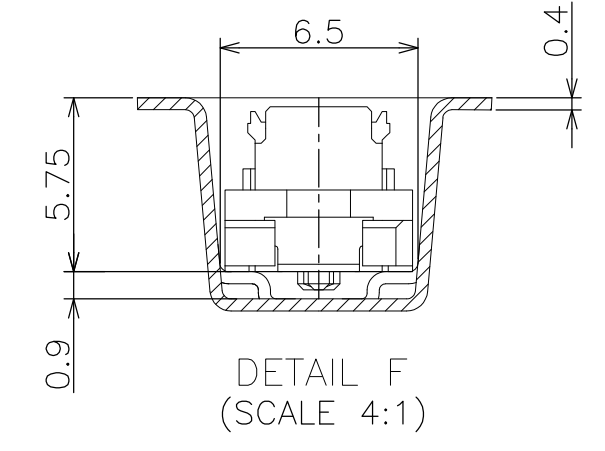
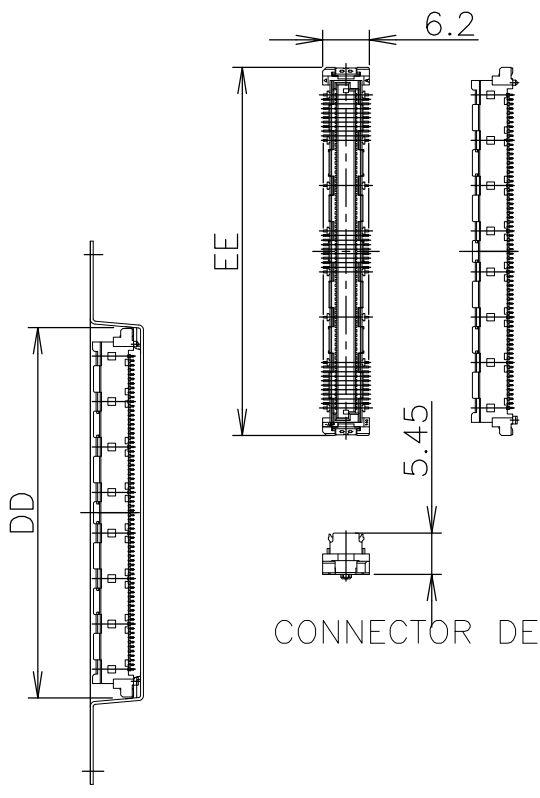
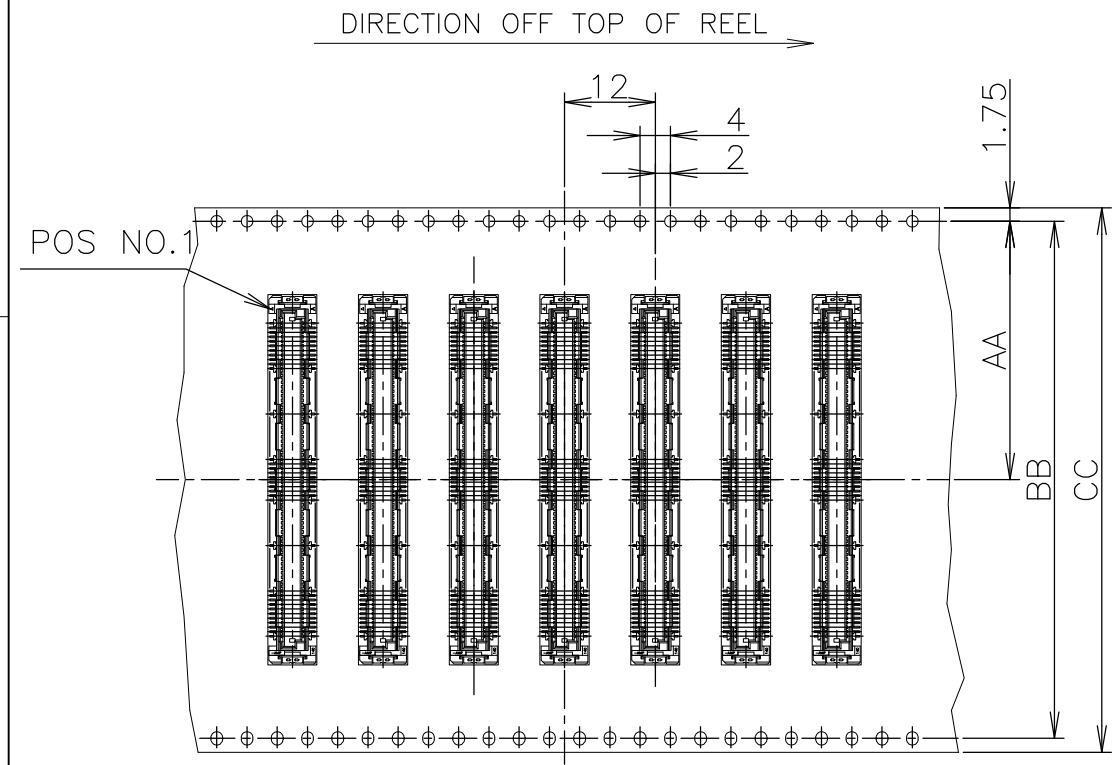


THIS DRAWING IS UNPUBLISHED. RELEASED FOR PUBLICATION JUN , 1996.
 © COPYRIGHT 1996 BY TYCO ELECTRONICS CORPORATION. ALL RIGHTS RESERVED.

LOC	DIST	REVISIONS					
		P	LTR	DESCRIPTION	DATE	DWN	APVD
J		B		REVISED ECR-08-000339	01FEB08	T.T	T.F
		C		REVISED PER ECO-17-002393	27MAY17	B.J	S.Y



SEALANT	TOOLING STATUS	QTY.	W	EE	DD	CC	BB	AA	POS.	PART NO.
SEALANT	NOT AVAILABLE	800	77.5	54.7	55	72	68.4	34.2	160	6-5353185-1
	AVAILABLE		77.5	48.7	49	72	68.4	34.2	140	6-0
	NOT AVAILABLE		61.5	42.7	43	56	52.4	26.2	120	5-9
	NOT AVAILABLE		61.5	36.7	37	56	52.4	26.2	100	5-8
	NOT AVAILABLE		61.5	33.7	34	56	52.4	26.2	90	5-7
	NOT AVAILABLE		49.5	30.7	31	44	40.4	20.2	80	5-6
	AVAILABLE		49.5	27.7	28	44	40.4	20.2	70	5-5
	NOT AVAILABLE		49.5	24.7	25	44	40.4	20.2	60	5-4
	NOT AVAILABLE		37.5	21.7	22	32	28.4	14.2	50	5-3
	NOT AVAILABLE		37.5	18.7	19	32	28.4	14.2	40	5-2
NON SEALANT	NOT AVAILABLE	800	29.5	15.7	16	24	11.5	30	5-5353185-1	
	NOT AVAILABLE	800	77.5	54.7	55	72	68.4	34.2	160	1-5353185-1
	AVAILABLE		77.5	48.7	49	72	68.4	34.2	140	1-0
	NOT AVAILABLE		61.5	42.7	43	56	52.4	26.2	120	-9
	AVAILABLE		61.5	36.7	37	56	52.4	26.2	100	-8
	NOT AVAILABLE		61.5	33.7	34	56	52.4	26.2	90	-7
	NOT AVAILABLE		49.5	30.7	31	44	40.4	20.2	80	-6
	AVAILABLE		49.5	27.7	28	44	40.4	20.2	70	-5
	NOT AVAILABLE		49.5	24.7	25	44	40.4	20.2	60	-4
	NOT AVAILABLE		37.5	21.7	22	32	28.4	14.2	50	-3

THIS DRAWING IS A CONTROLLED DOCUMENT.

DWN LEO ZHOU 14DEC04
 CHK STEVEN YAO 14DEC04
 APVD I.ENOMOTO 14DEC04

Tyco Electronics Tyco Electronics Corporation
 Kawasaki, Japan

NAME 製品規格
 108-60047

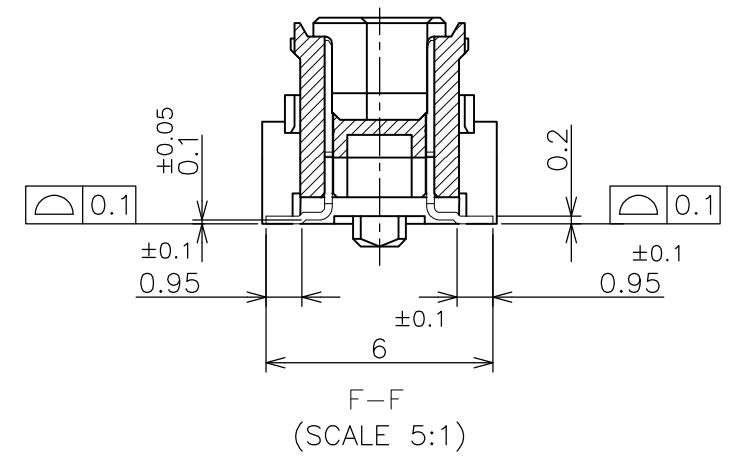
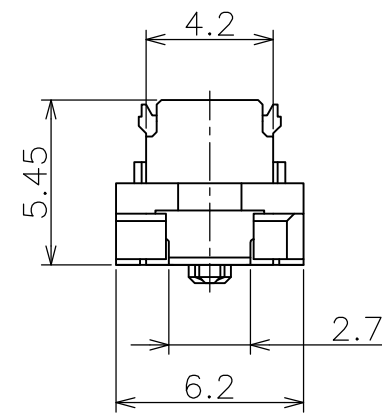
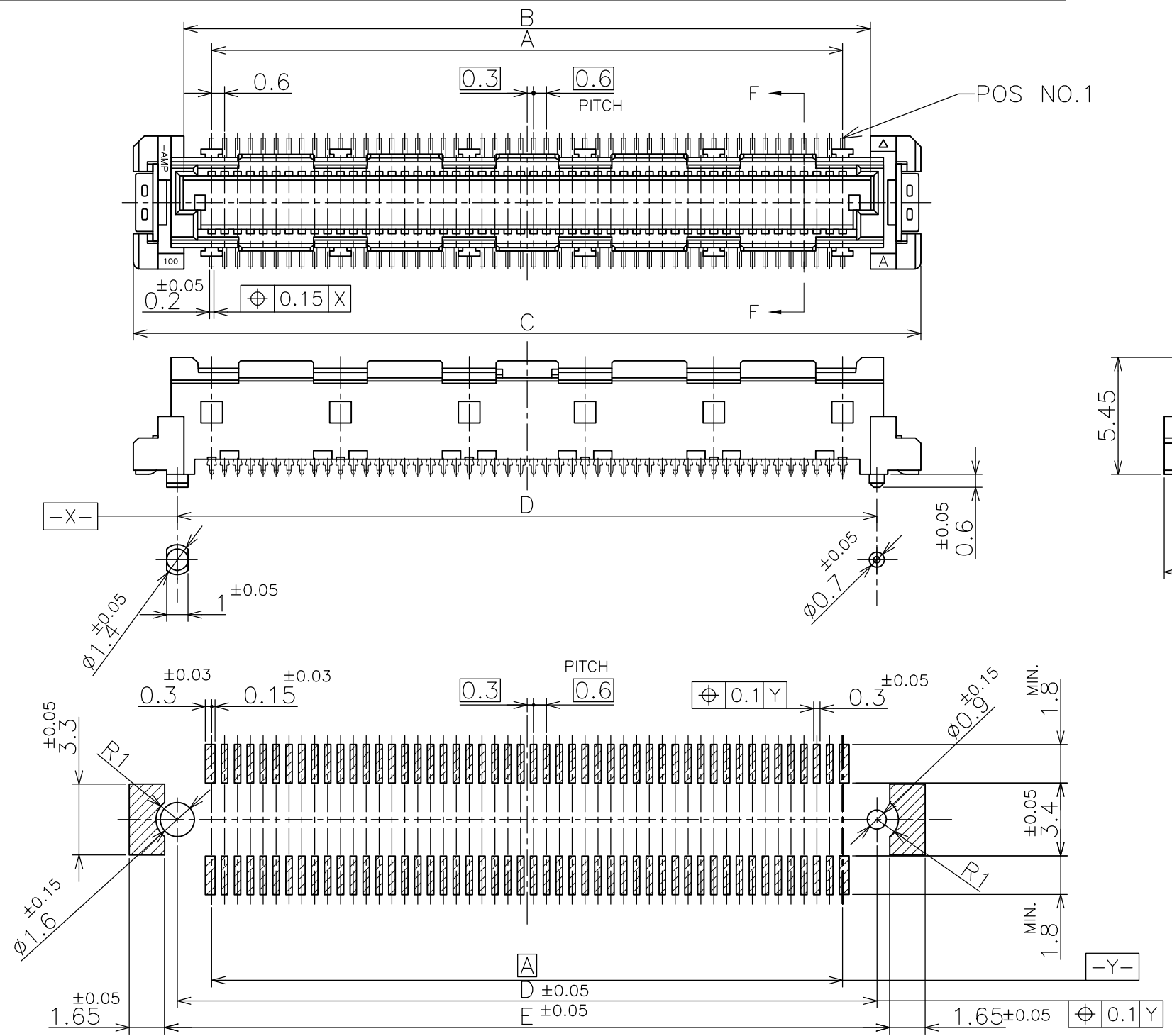
APPLICATION SPEC 取付適用規格
 114-5255

EMBOSS ASSY
 FH 0.6BTB CONNECTOR
 PLUG 6H STD TYPE

SIZE A3 CAGE CODE 00779 DRAWING NO. 番号 G-5353185 RESTRICTED TO

CUSTOMER DRAWING SCALE 1:1 SHEET 1 OF 2 REV C

LOC	DIST	REVISIONS		
J		P	LTR	DESCRIPTION
				DATE
				DWN
				APVD
		SEE SHEET 1		



- △ MATERIAL : HOUSING : HIGH TEMP THERMO PLASTIC UL94V-0
CONTACT : COPPER ALLOY
- △ FINISH : UNDER PL Ni 0.0013mm MIN ALL OVER.
CONTACT AREA 0.0002 MIN Au PL.
SOLDERING AREA 0.001 MIN TIN PL.
- △ PACKING ASSY DWG SEE SHEET 1.
- △ THIS PRODUCT WAS COATED BY FLUX-PENETRATION-INHIDTING AGENT.

REFERENCE P.C. BOARD LAYOUT
(VIEW FROM CONN. MOUNTING SIDE)

51.8	50.6	54.7	50	47.4	160	1-5353185-1 & 6-5353185-1
45.8	44.6	48.7	44	41.4	140	1-5353185-0 & 6-5353185-0
39.8	38.6	42.7	38	35.4	120	↑ -9 & 5- ↑ -9
33.8	32.6	36.7	32	29.4	100	↑ -8 & 5- ↑ -8
30.8	29.6	33.7	29	26.4	90	↑ -7 & 5- ↑ -7
27.8	26.6	30.7	26	23.4	80	↑ -6 & 5- ↑ -6
24.8	23.6	27.7	23	20.4	70	↑ -5 & 5- ↑ -5
21.8	20.6	24.7	20	17.4	60	↑ -4 & 5- ↑ -4
18.8	17.6	21.7	17	14.4	50	↑ -3 & 5- ↑ -3
15.8	14.6	18.7	14	11.4	40	↑ -2 & 5- ↑ -2
12.8	11.6	15.7	11	8.4	30	5353185-1 & 5-5353185-1
E	D	C	B	A	POS	△ PART NO.

THIS DRAWING IS A CONTROLLED DOCUMENT.

DIMENSIONS: 単位: 耗 mm	TOLERANCES UNLESS OTHERWISE SPECIFIED: 一般公差
	0 PLC ± 0.3
	1 PLC ± 0.3
	2 PLC ± 0.3
	3 PLC ± 0.3
	4 PLC ± 0.3
	ANGLES ± 3'
MATERIAL 材料	FINISH 仕上
△ 1	△ 2

DWN	Tyco Electronics Corporation Kawasaki, Japan	
CHK	NAME 名称	
APVD	EMBOSS ASSY FH 0.6BTB CONNECTOR PLUG 6H STD TYPE	
PRODUCT SPEC 製品規格	SIZE	CAGE CODE
APPLICATION SPEC 取付適用規格	A3	00779
WEIGHT	DRAWING NO 番号	RESTRICTED TO
CUSTOMER DRAWING	G-5353185	
SCALE 尺度 4:1	SHEET 2 OF 2	REV C

单击下面可查看定价，库存，交付和生命周期等信息

[>>TE Connectivity\(泰科\)](#)