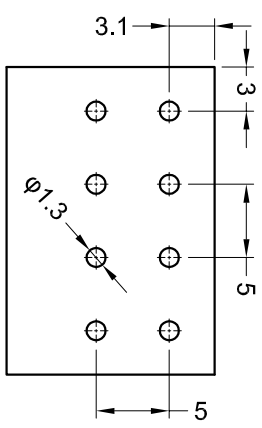
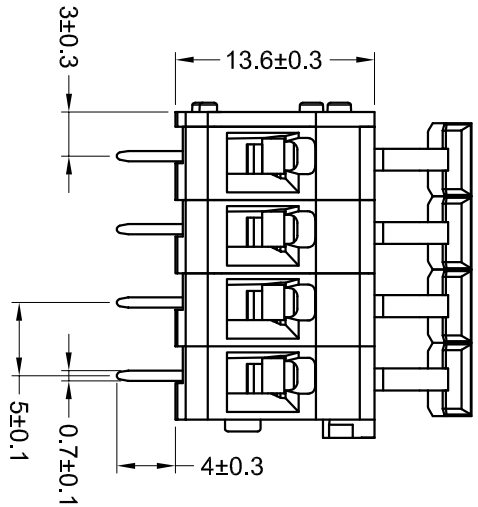
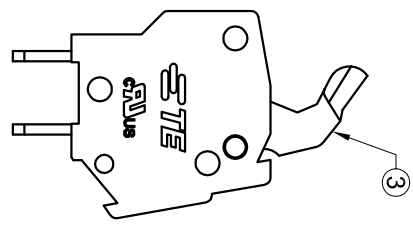
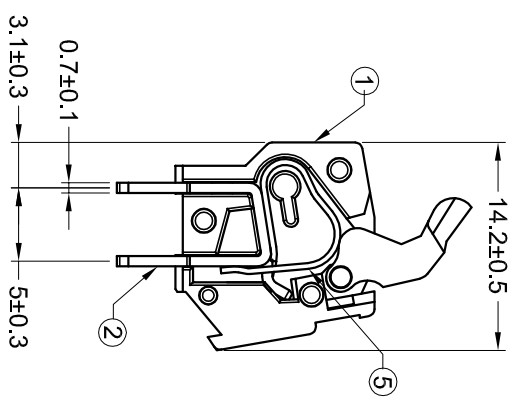
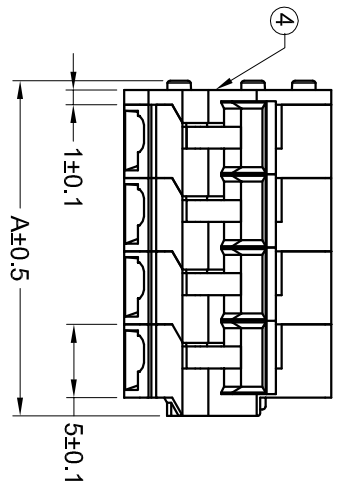
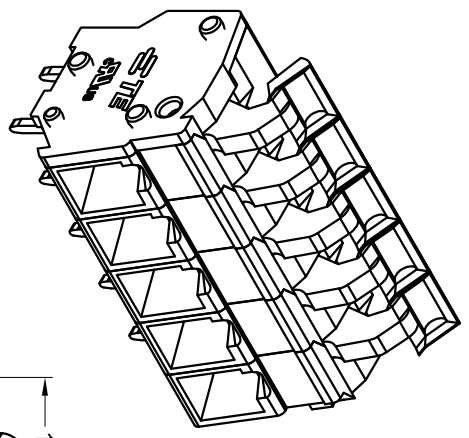


REVISIONS		DATE	OWN	APP'D
		23NOV2015	C.F.	S.M.



PCB Layout

⑤	SPRING	2834082-7
④	COVER	2834082-6
③	LEVER	2834082-5
②	CONTACT	2834082-4
①	HOUSING	2834082-3

NO. OF POSITIONS	PART NO
8 POSN	2834082-7
7 POSN	2834082-6
6 POSN	2834082-5
5 POSN	2834082-4
4 POSN	2834082-3
3 POSN	2834082-2
2 POSN	2834082-1

COLOR	DIM A	NO. OF POSITIONS	PART NO
GRAY	42.90	8 POSN	2834082-7
	37.90	7 POSN	2834082-6
	32.90	6 POSN	2834082-5
	27.90	5 POSN	2834082-4
	22.90	4 POSN	2834082-3
	17.90	3 POSN	2834082-2
	12.90	2 POSN	2834082-1

NOTES :

- △ MATERIALS AND FINISH:
  - HOUSING: PA66
  - CONTACTS: BRASS, FINISH: TIN OVER NICKEL UNDERPLATE
- 2. MUST COMPLY WITH DIRECTIVE 2002/95/EC (RoHS)
- 3. WIRE TYPES AND SIZES ACCEPTED
- WIRE RANGE: 12AWG~28AWG.
- STRIP LENGTH: 5~6mm
- 4. PACKAGED IN TRAY.
- 5. CURRENT RATING: 20Amp AC300V.
- 6. OPERATION TEMPERATURE: -40°C TO +105°C
- 7. THIS PART NO. IS THE SAME STRUCTURE AS THE SERIES: 2834082
- THE DATASHEET AND MORE DETAILS PLEASE FOLLOW THE SERIES: 2834082

THIS DRAWING IS A CONTROLLED DOCUMENT.

REVISIONS	DATE	OWN	APP'D
1			

DATE	23NOV2015
OWN	C.F.
APP'D	S.M.

5.00mm Horizontal Entry Screwless Connector

TE Connectivity

STP

DATE CODE (DRAWING NO) C-2834082

SIZE 1

SCALE 1:1

单击下面可查看定价，库存，交付和生命周期等信息

[>>TE Connectivity\(泰科\)](#)