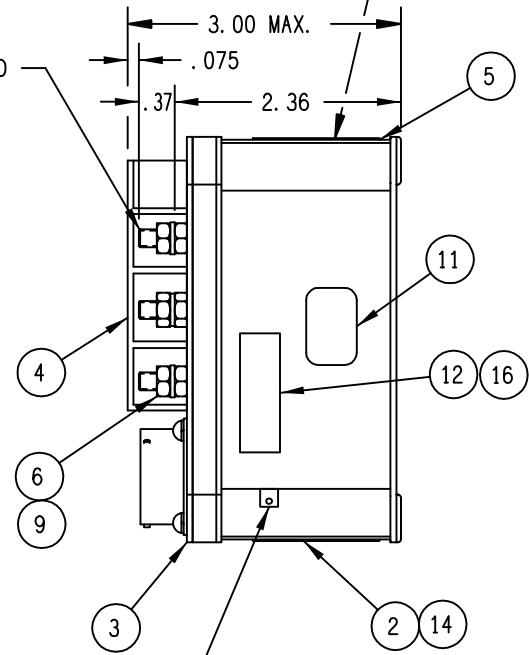
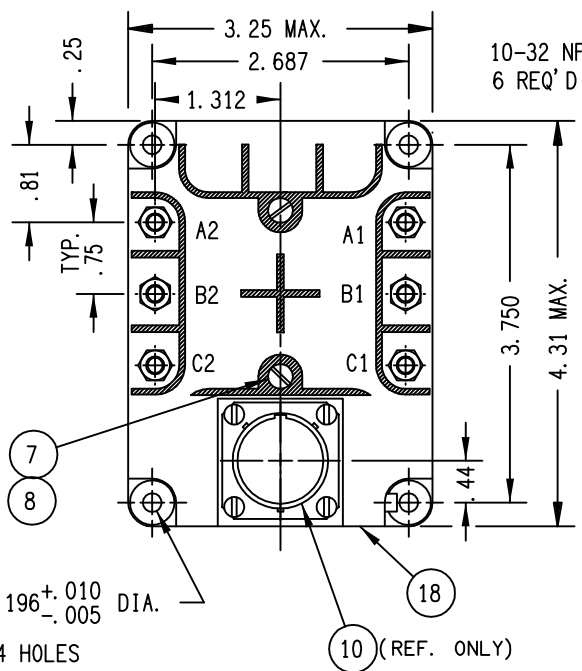


FAA/PMA

REVISIONS		RELEASED	
REV.	DESCRIPTION	DATE	APPROVED
H	22667	UPDATED P/LIST	2-1-93
J	22814	ITEM 2 WAS 16043-001	2/18/93
K	22949	REDRAWN TO CAEDS	3-1-93
L	24910	ADDED ITEMS 16 & 18	10-13-93
M	11-024834	ITEM 6 WAS -054	11-12-01

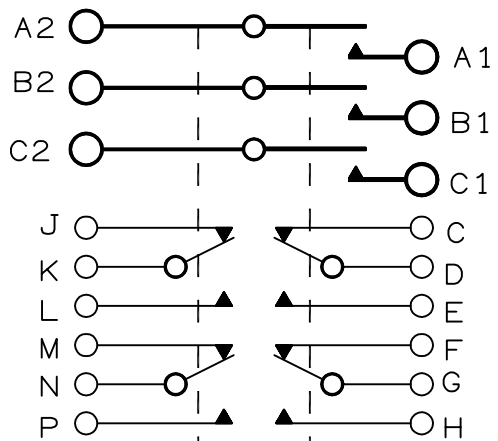


CONSTRUCTION MAIN CONTACT CONFIGURATION VOLTAGE CURRENT: RES. IND. RUPTURE GASKET SEALED (VENTED) 3 PST N. O. 115/200 VAC, 300 TO 600 HZ 60 AMPS 60 AMPS 600 AMPS

COIL DATA NOMINAL VOLTAGE RATING VOLTAGE PICKUP MAX. DROPOUT VOLTAGE CLOSING TIME DROPOUT TIME INRUSH CURRENT HOLDING CURRENT AUXILIARY CONTACTS CONFIGURATION VOLTAGE CURRENT: RES. IND. LAMP ENVIRONMENTAL DATA OPERATING TEMP. LIFE ELECTRICAL WEIGHT MAX.

28 VDC
18 TO 32 VDC
18 VDC
1-9 VDC
35 MS MAX. AT 28 VDC
35 MS MAX. AT 28 VDC
3 AMP MAX.
315 MA MAX.
4 PDT
28 VDC OR 200 VAC 400 HZ
5 AMPS
2 AMPS
1 AMP
-55°C MIN. TO +85°C MAX.
50,000 CYCLES MIN.
1 LB. 12 OZ.

VENT (LOCATION OPT.)



18	1	57200-057	YELLOW DOT			
16	1	39529-047	OVERLAY			
14	1	39529-001	OVERLAY			
13	1	39529-002	OVERLAY			
12	1	58400-070	PLATE - FAA/PMA			
11	1	25695-001	WARNING DECAL			
10	-	52516-013	CONNECTOR - BENDIX		MS3470L-16-26P	
9	6	51810-054	WASHER - LOCK NO. 10 .062 X .047		AN935B10	BRONZE
8	2	51806-031	WASHER - LOCK NO. 6 INT.		AN936A6B	BRONZE
7	2	51206-644	SCREW - 6-32 X 3/4 RD. HD.			BRASS
6	6	50410-174	NUT - 10-32 X 5/16 X 9/64 HEX.			BRASS
5	1	38031-010	CONTACTOR ASSEMBLY - PRIMARY			
4	1	22295-001	SHIELD - TERMINAL			
3	1	38035-001	PLATE - BASE COVER			
2	1	16043-067	PLATE - NAME			
1	1	38036-001	PLATE - WIRING DIAGRAM			

FIND NO	QTY REQD	PART OR IDENTIFYING NO	NOMENCLATURE OR DESCRIPTION	FSCM NO	DRAWING OR SPECIFICATION	MATERIAL OR NOTE
---------	----------	------------------------	-----------------------------	---------	--------------------------	------------------

UNLESS OTHERWISE SPECIFIED DIMENSIONS ARE IN INCHES TOLERANCES ON

2 PL DEC. 3 PL DEC. ANGLES
± .06 ± .010 ± 1°

REF. 24-41-14

DR BY HEA 93/11/11
CHK BY WS 93/11/18
ENGR KLK 93/12/01
MFG JF 93/12/02

SIZE CODE IDENT
C 74063

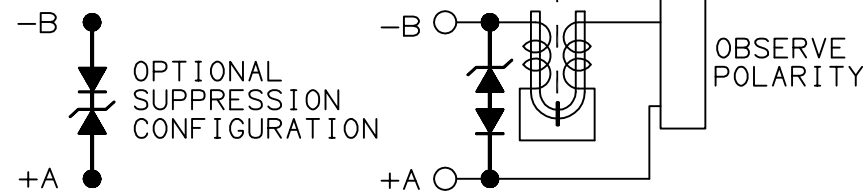
SCALE NONE SHEET

TE
Hartman Division 175 N. DIAMOND STREET MANSFIELD, OHIO 44902

CONTACTOR - TPST NO 093

DWG NO. B-138S

REF TE P/N 1616002-5



单击下面可查看定价，库存，交付和生命周期等信息

[>>TE Connectivity\(泰科\)](#)