

4

3

2

1

THIS DRAWING IS UNPUBLISHED.

RELEASED FOR PUBLICATION

20

© COPYRIGHT 20

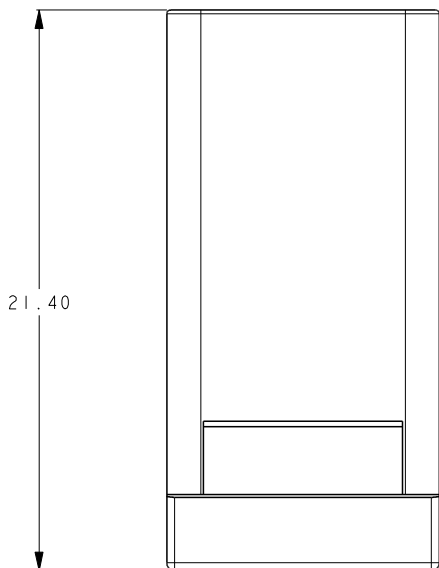
ALL RIGHTS RESERVED.

ES

REVISIONS

| P | LTR | DESCRIPTION                | DATE      | DWN | APVD |
|---|-----|----------------------------|-----------|-----|------|
| A |     | INITIAL RELEASE            | 25JUL2016 | Z.W | X.X  |
| B |     | ADD NEW I POS PART NUMBERS | 20JUN2017 | Z.W | S.M  |
| C |     | UPDATE PACKAGE SPEC        | 2JAN2018  | Z.W | S.M  |

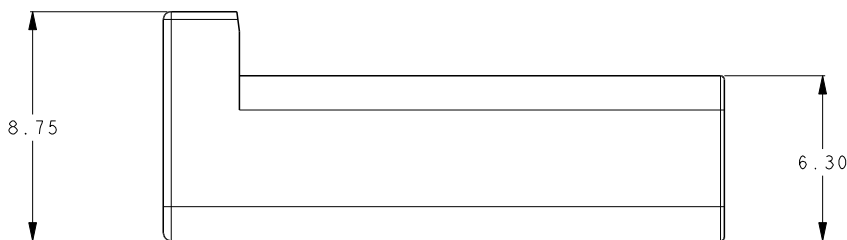
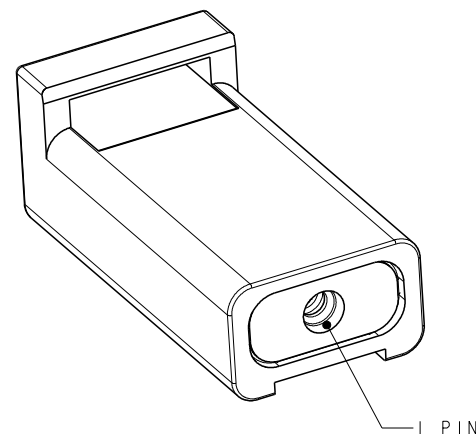
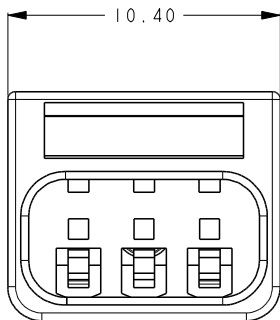
D



C

B

A



|       |            |             |
|-------|------------|-------------|
| GRAY  | I          | 4-2834075-1 |
| RED   | I          | 3-2834075-1 |
| BLACK | I          | 2-2834075-1 |
| WHITE | I          | 1-2834075-1 |
| COLOR | NO OF POSN | PART NUMBER |

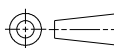
NOTES:

- MATERIAL: HOUSING: THERMOPLASTIC, UL94-V0. SEAL: RUBBER.
- PN: SEE TABLE
- PACKAGING: TRAY.
- PACKAGING SPEC: 107-137093.

THIS DRAWING IS A CONTROLLED DOCUMENT.

DIMENSIONS: mm

TOLERANCES UNLESS OTHERWISE SPECIFIED: ±0.5



|        |     |
|--------|-----|
| 0-PLC  | ±   |
| 1-PLC  | ±   |
| 2-PLC  | ±   |
| 3-PLC  | ±   |
| 4-PLC  | ±   |
| ANGLES | ±5° |

MATERIAL



FINISH

-

DWN 15JULY2016

ZHANG WEI

CHK 15JULY2016

SHI MING

APVD 15JULY2016

XU XIANG

PRODUCT SPEC

108-137093

APPLICATION SPEC

114-137093

WEIGHT -

CUSTOMER DRAWING



TE Connectivity

RECEPTACLE MINIATURE WATERPROOF CONN.

| SIZE      | CAGE CODE | DRAWING NO   | RESTRICTED TO |
|-----------|-----------|--------------|---------------|
| A300779   | C=2834075 |              | -             |
| SCALE 5:1 |           | SHEET 1 OF 4 | REV C         |

4

3

2

1

THIS DRAWING IS UNPUBLISHED.

RELEASED FOR PUBLICATION

20

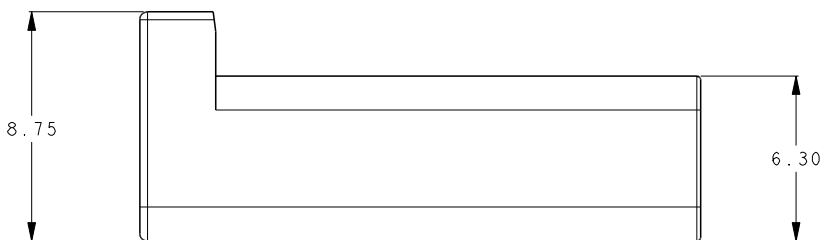
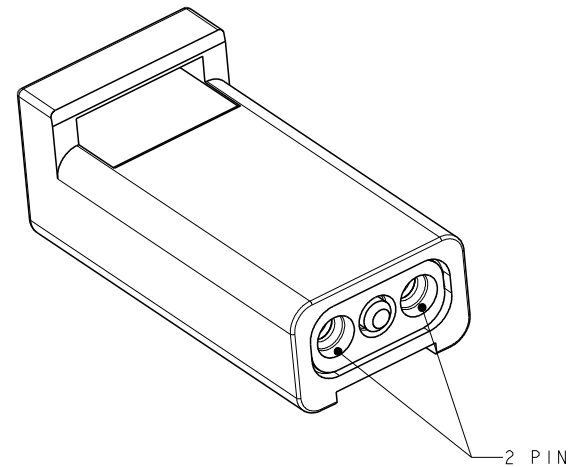
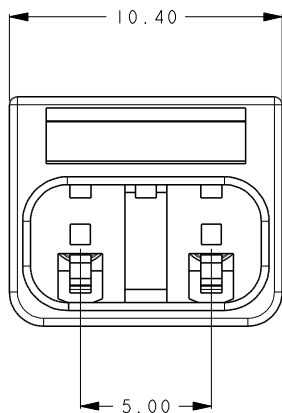
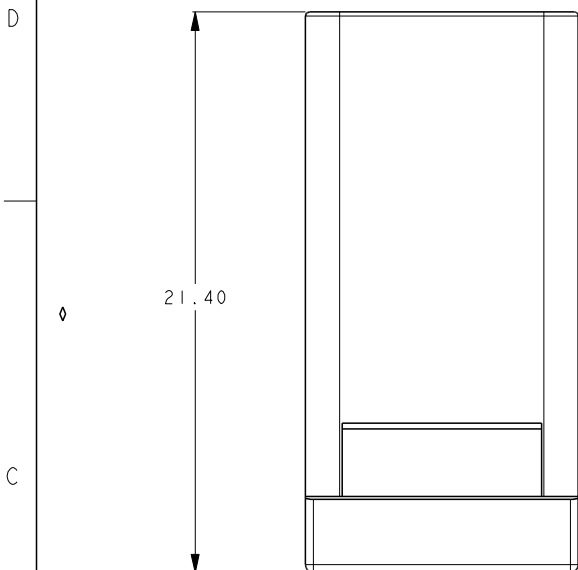
© COPYRIGHT 20

ALL RIGHTS RESERVED.

ES

REVISIONS

| P | LTR | DESCRIPTION | DATE | DWN | APVD |
|---|-----|-------------|------|-----|------|
|   |     | SEE SHEET 1 |      |     |      |



| COLOR | NO OF POSN | PART NUMBER |
|-------|------------|-------------|
| GRAY  | 2          | 4-2834075-2 |
| RED   | 2          | 3-2834075-2 |
| BLACK | 2          | 2-2834075-2 |
| WHITE | 2          | 1-2834075-2 |

- NOTES:  
 1. MATERIAL:  
 HOUSING: THERMOPLASTIC, UL94-V0.  
 SEAL: RUBBER.  
 2. PN: SEE TABLE  
 3. PACKAGING: TRAY.  
 4. PACKAGING SPEC: 107-137093.

|   |  |                                |  |                         |
|---|--|--------------------------------|--|-------------------------|
| THIS DRAWING IS A CONTROLLED DOCUMENT.          |  | DWN 15 JULY 2016<br>ZHANG WEI  | <b>STE</b> TE Connectivity               |                         |
| DIMENSIONS:<br>mm                               |  | CHK 15 JULY 2016<br>SHI MING   |  |                         |
| TOLERANCES UNLESS OTHERWISE SPECIFIED:<br>± 0.5 |  | APVD 15 JULY 2016<br>XU XIANG  | NAME                                     |                         |
|   |  | PRODUCT SPEC<br>108-137093     | RECEPTACLE<br>MINIATURE WATERPROOF CONN. |                         |
| MATERIAL  |  | APPLICATION SPEC<br>114-137093 | SIZE                                     | RESTRICTED TO           |
| FINISH  |  | WEIGHT                         | CAGE CODE<br>A300779                     | DRAWING NO<br>C=2834075 |
|   |  | CUSTOMER DRAWING               | SCALE 5:1                                | SHEET 2 OF 4            |
|   |  |                                | REV C                                    |                         |

4

3

2

1

THIS DRAWING IS UNPUBLISHED.

RELEASED FOR PUBLICATION

20

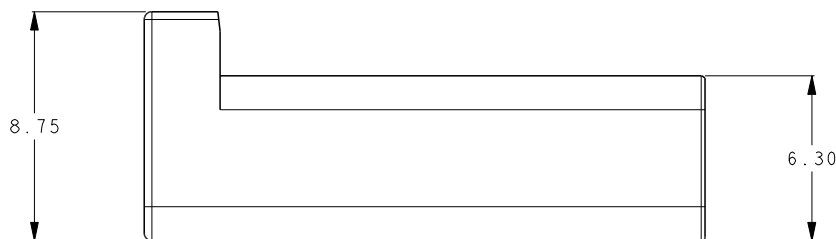
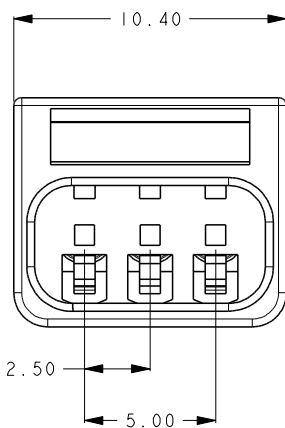
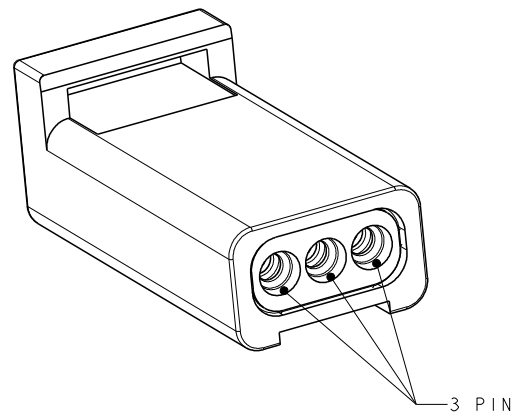
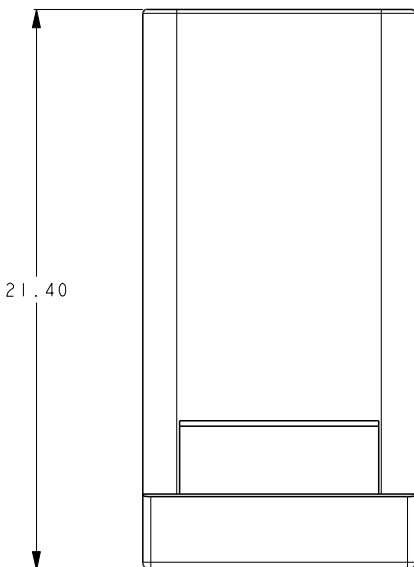
© COPYRIGHT 20

ALL RIGHTS RESERVED.

ES

REVISIONS

| P | LTR | DESCRIPTION | DATE | DWN | APVD |
|---|-----|-------------|------|-----|------|
|   |     | SEE SHEET 1 |      |     |      |



| GRAY  | 3          | 4-2834075-3 |
|-------|------------|-------------|
| RED   | 3          | 3-2834075-3 |
| BLACK | 3          | 2-2834075-3 |
| WHITE | 3          | 1-2834075-3 |
| COLOR | NO OF POSN | PART NUMBER |

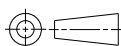
NOTES:

- MATERIAL:  
HOUSING: THERMOPLASTIC, UL94-V0.  
SEAL: RUBBER.
- PN: SEE TABLE
- PACKAGING: TRAY.
- PACKAGING SPEC: 107-137093.

THIS DRAWING IS A CONTROLLED DOCUMENT.

DIMENSIONS:  
mm

TOLERANCES UNLESS OTHERWISE SPECIFIED:  
± 0.5



- Ø-PLC ±
- 1-PLC ±
- 2-PLC ±
- 3-PLC ±
- 4-PLC ±
- ANGLES ±5°

MATERIAL



FINISH

|                  |              |           |
|------------------|--------------|-----------|
| DWN              | 15 JULY 2016 | ZHANG WEI |
| CHK              | 15 JULY 2016 | SHI MING  |
| APVD             | 15 JULY 2016 | XU XIANG  |
| PRODUCT SPEC     | 108-137093   |           |
| APPLICATION SPEC | 114-137093   |           |
| WEIGHT           | -            |           |
| CUSTOMER DRAWING |              |           |

**STE** TE Connectivity

RECEPTACLE  
MINIATURE WATERPROOF CONN.

| SIZE  | CAGE CODE | DRAWING NO | RESTRICTED TO |
|-------|-----------|------------|---------------|
| A3    | 00779     | C=2834075  | -             |
| SCALE | 5:1       | SHEET      | 3 OF 4        |
| REV   | C         |            |               |

THIS DRAWING IS UNPUBLISHED.

RELEASED FOR PUBLICATION

20

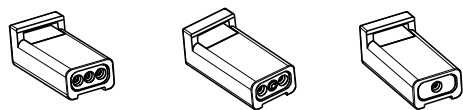
© COPYRIGHT 20

ALL RIGHTS RESERVED.

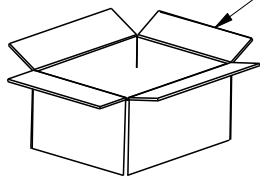
ES

REVISIONS

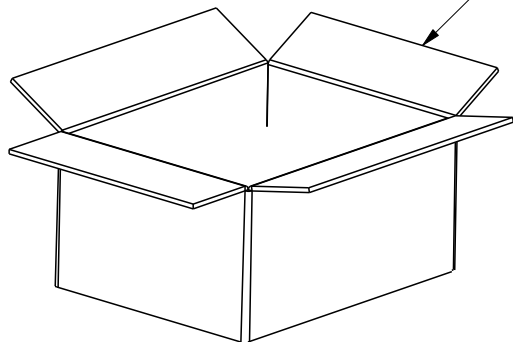
| P | LTR | DESCRIPTION | DATE | DWN | APVD |
|---|-----|-------------|------|-----|------|
|   |     | SEE SHEET 1 |      |     |      |



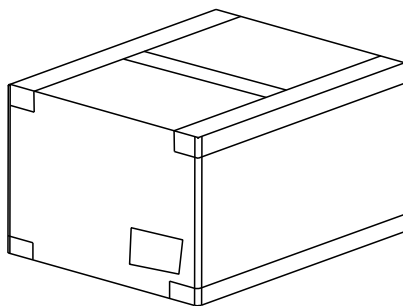
TRAY



INNER CARTON



OUTER CARTON



- NOTE:
- 1. PUT PARTS IN THE TRAY.
  - 2. PUT 5 PACKED TRAYS INTO ONE INNER CARTON. PUT 4 INNER CARTONS INTO ONE OUTER CARTON. TOTAL 20 PACKED TRAYS.
  - 3. SEAL THE CARTON
  - 4. PACKAGING QUANTITY: SEE TABLE.
  - 5. PACKAGING SPEC : 107-137093.

©

| PART NUMBER | PARTS PER TRAY | TRAYS PER INNER CARTON | PARTS PER INNER CARTON | TRAYS PER OUTER CARTON | PARTS PER OUTER CARTON |
|-------------|----------------|------------------------|------------------------|------------------------|------------------------|
| 1-2834075-1 | 288 PCS        | 5                      | 1440 PCS               | 20                     | 5760 PCS               |
| 2-2834075-1 | 288 PCS        | 5                      | 1440 PCS               | 20                     | 5760 PCS               |
| 3-2834075-1 | 288 PCS        | 5                      | 1440 PCS               | 20                     | 5760 PCS               |
| 4-2834075-1 | 288 PCS        | 5                      | 1440 PCS               | 20                     | 5760 PCS               |
| 1-2834075-2 | 288 PCS        | 5                      | 1440 PCS               | 20                     | 5760 PCS               |
| 2-2834075-2 | 288 PCS        | 5                      | 1440 PCS               | 20                     | 5760 PCS               |
| 3-2834075-2 | 288 PCS        | 5                      | 1440 PCS               | 20                     | 5760 PCS               |
| 4-2834075-2 | 288 PCS        | 5                      | 1440 PCS               | 20                     | 5760 PCS               |
| 1-2834075-3 | 288 PCS        | 5                      | 1440 PCS               | 20                     | 5760 PCS               |
| 2-2834075-3 | 288 PCS        | 5                      | 1440 PCS               | 20                     | 5760 PCS               |
| 3-2834075-3 | 288 PCS        | 5                      | 1440 PCS               | 20                     | 5760 PCS               |
| 4-2834075-3 | 288 PCS        | 5                      | 1440 PCS               | 20                     | 5760 PCS               |

THIS DRAWING IS A CONTROLLED DOCUMENT.

|                   |   |
|-------------------|---|
| DIMENSIONS:<br>mm | TOLERANCES UNLESS OTHERWISE SPECIFIED:<br>± 0.5 |
|                   | 0-PLC ±   |
|                   | 1-PLC ±   |
|                   | 2-PLC ±   |
|                   | 3-PLC ±   |
|                   | 4-PLC ±   |
|                   | ANGLES ±5°                                      |

|          |        |
|----------|--------|
| MATERIAL | FINISH |
|          |        |

|                  |                         |
|------------------|-------------------------|
| DWN              | 15JULY2016<br>ZHANG WEI |
| CHK              | 15JULY2016<br>SHI MING  |
| APVD             | 15JULY2016<br>XU XIANG  |
| PRODUCT SPEC     | 108-137093              |
| APPLICATION SPEC | 114-137093              |
| WEIGHT           | -                       |
| CUSTOMER DRAWING |                         |



TE Connectivity

RECEPTACLE  
MINIATURE WATERPROOF CONNECTOR

|         |           |            |     |               |
|---------|-----------|------------|-----|---------------|
| NAME    |           |            |     | RESTRICTED TO |
| SIZE    | CAGE CODE | DRAWING NO |     |               |
| A300779 | C=2834074 |            |     |               |
| SCALE   | SHEET     | OF         | REV |               |
| 5:1     | 4         | 4          | C   |               |

单击下面可查看定价，库存，交付和生命周期等信息

[>>TE Connectivity\(泰科\)](#)