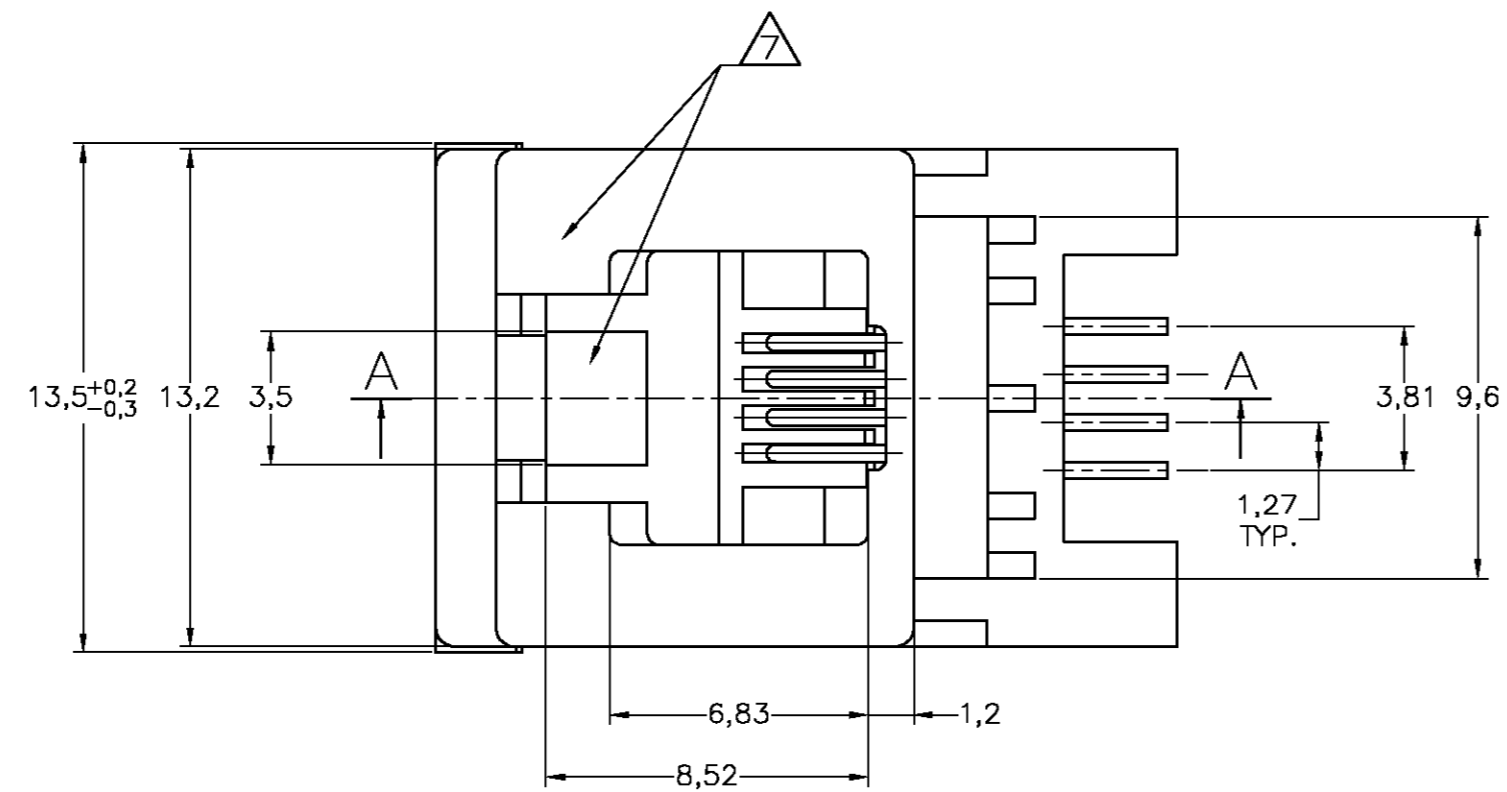


DO NOT SCALE  
DIMENSIONS IN mm

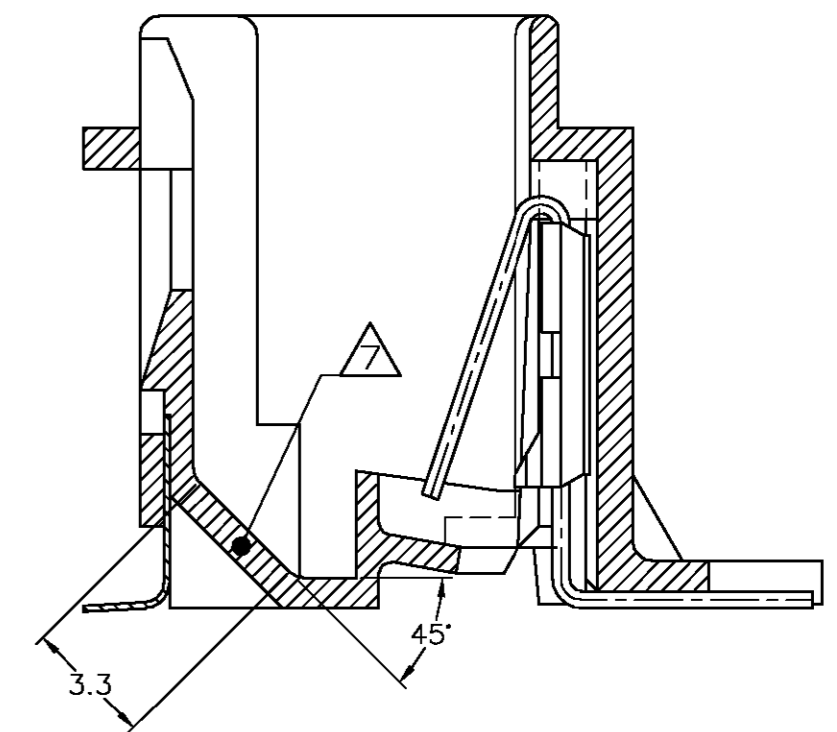
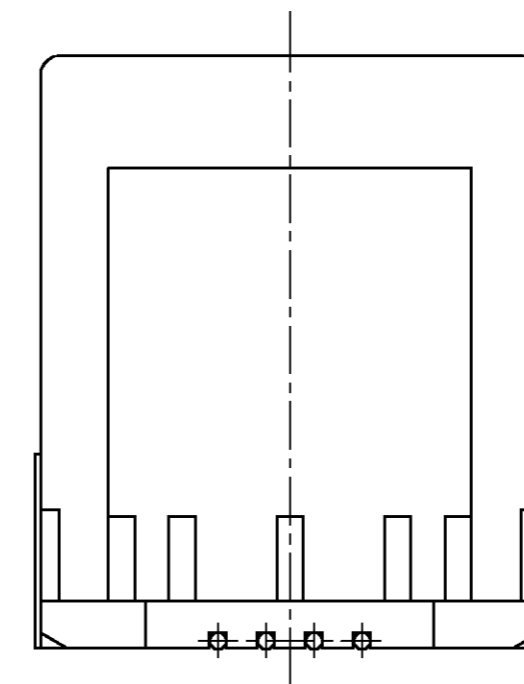
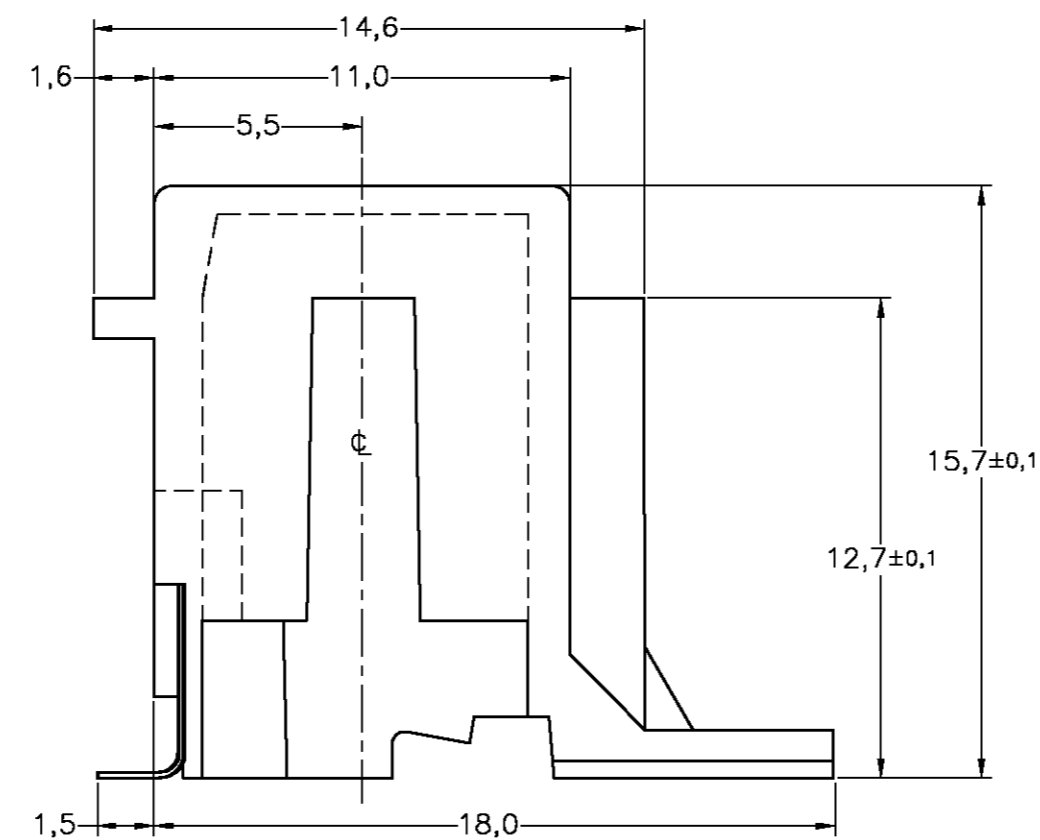
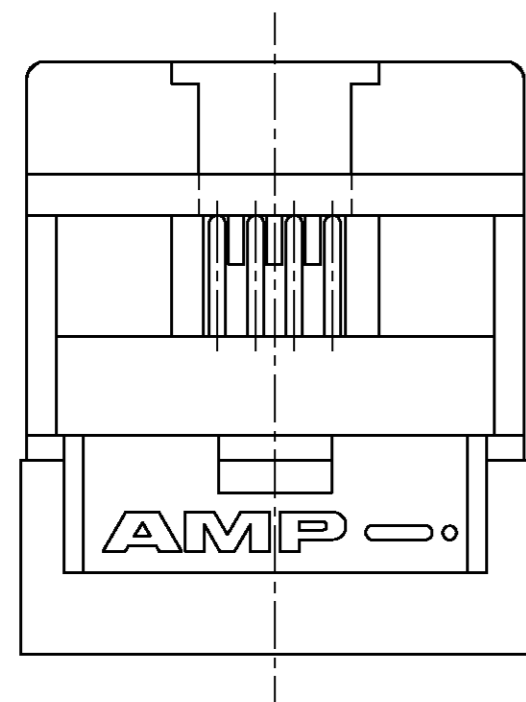
METRIC

THIRD ANGLE  
PROJECTION

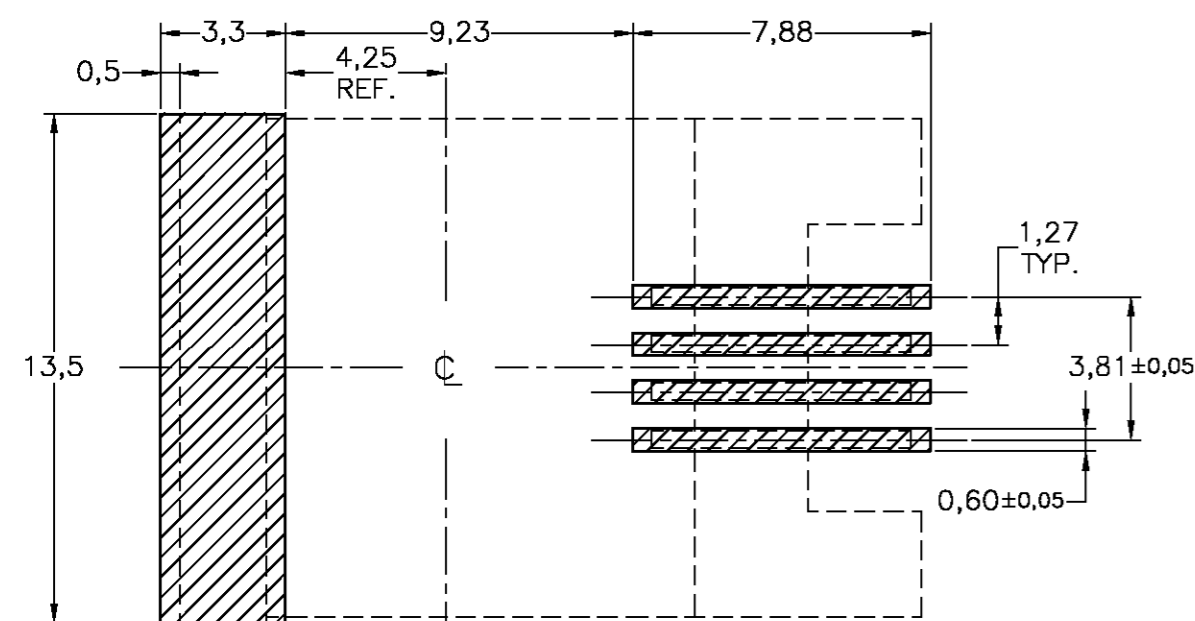


NOTES:

- 1 TOLERANCES UNLESS OTHERWISE SPECIFIED:  $\pm 0,15$
- 2 CONTACTS:  
1,25  $\mu\text{m}$  MIN. GOLD OVER 1,25  $\mu\text{m}$  MIN. NICKEL IN CONTACT AREA.  
2,0  $\mu\text{m}$  MIN. TIN-LEAD OVER 1,25  $\mu\text{m}$  MIN. NICKEL ON SOLDER TINES.
- 3 HOUSING:  
30% G.F. PA 4.6, COLOR BLACK, UL-94-V0
- 4 CONTACTS:  
PHOSPHOR BRONZE  
ADDITIONAL SOLDERBRACKET:  
TINPLATED BRASS
- 5 MODULAR JACKS DELIVERED TAPE MOUNTED ON A REEL. SEE SHEET 2.
- 6 PRODUCT SPECIFICATION: 108-19117.  
APPLICATION SPECIFICATION: 114-19041.
- 7 SOLDER PASTE THICKNESS 0,15mm ( $=0,006''$ ) MIN.
- 8 SURFACE CAN BE USED FOR PICKING THE MODULAR JACK WITH A TYPE II SMD MACHINE.



SECTION A-A



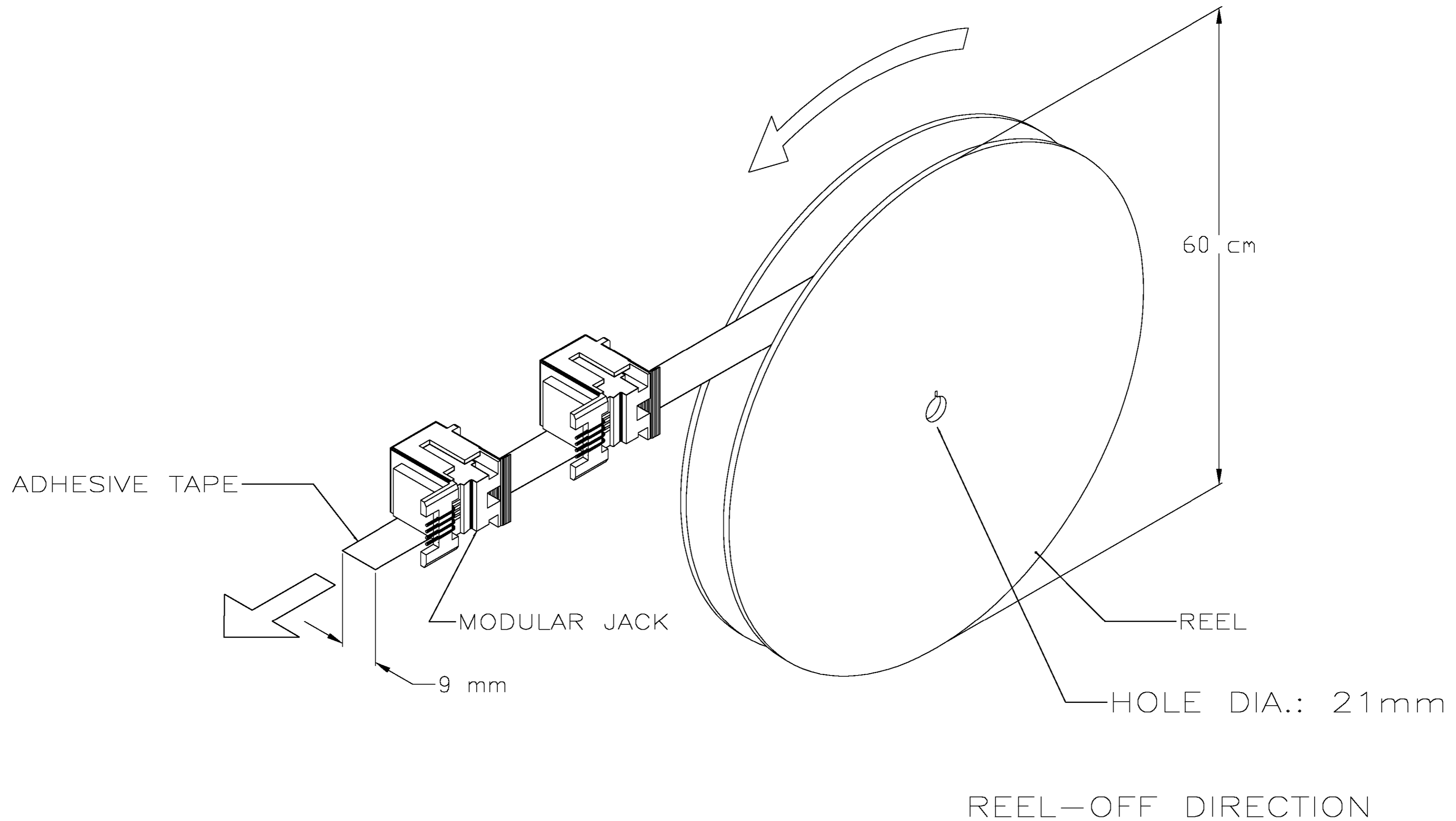
PRINTED CIRCUIT BOARD LAYOUT

4 POS. / 4 CONTACTS	TUBE	40 PCS PER TUBE	3-106176-1
4 POS. / 4 CONTACTS	REEL	600 PCS ON A 60cm DIA REEL SEE SHEET 2	106176-1 $\Delta$
DESCRIPTION	PACKAGING	QTY	PART NUMBER
CUSTOMER DRAWING FOR REFERENCE ONLY WILL NOT BE UPDATED			
© COPYRIGHT 19 BY AMP HOLLAND B.V. ALL INTERNATIONAL RIGHTS RESERVED. AMP PRODUCTS MAY BE COVERED BY U.S. AND FOREIGN AND/OR PATENTS PENDING. THIS DRAWING IS UNPUBLISHED AND/OR PATENTS PENDING. RELEASED FOR PUBLICATION			
<b>tyco</b> Electronics		Tyco Electronics Corporation Oostkamp - BELGIUM	
N	SR10-0418-01	KV KV	28 SEP 01
M	SR10-0106-01	KV KV	09 MAR 01
LTR.	REVISION RECORD	DR. CHK. DATE	
DR.: VEROUGSTRAETE		CHK.:	APP.:
DATE: 19 JAN 01		DATE:	DATE:
		DWG.No.	REV.LTR.
		C-106176	N
		SHEET	1 OF 2
		A2	

DO NOT SCALE  
DIMENSIONS IN mm

METRIC

THIRD ANGLE  
PROJECTION



SEE SHEET 1				CUSTOMER DRAWING		FOR REFERENCE ONLY WILL NOT BE UPDATED	
				© COPYRIGHT 19 BY AMP HOLLAND B.V.		ALL INTERNATIONAL RIGHTS RESERVED. AMP PRODUCTS MAY BE COVERED BY U.S. AND FOREIGN AND/OR PATENTS PENDING.	
				THIS DRAWING IS UNPUBLISHED		RELEASED FOR PUBLICATION _____, 19____	
				<b>tyco</b> <b>Electronics</b>		Tyco Electronics Corporation Oostkamp - BELGIUM	
NAME MODULAR JACK, 4 POSITION				TOP ENTRY WITH REMOVABLE COVER			
FOR SURFACE MOUNT APPLICATION							
LTR.	REVISION RECORD	DR.	CHK.	DATE	DWG.No.	REV.LTR.	SHEET
DATE: 19 JAN 01	DATE:	DATE:	DATE:	DATE:	C-106176	N	2 OF 2
				3	2	1	A2

单击下面可查看定价，库存，交付和生命周期等信息

[>>TE Connectivity\(泰科\)](#)