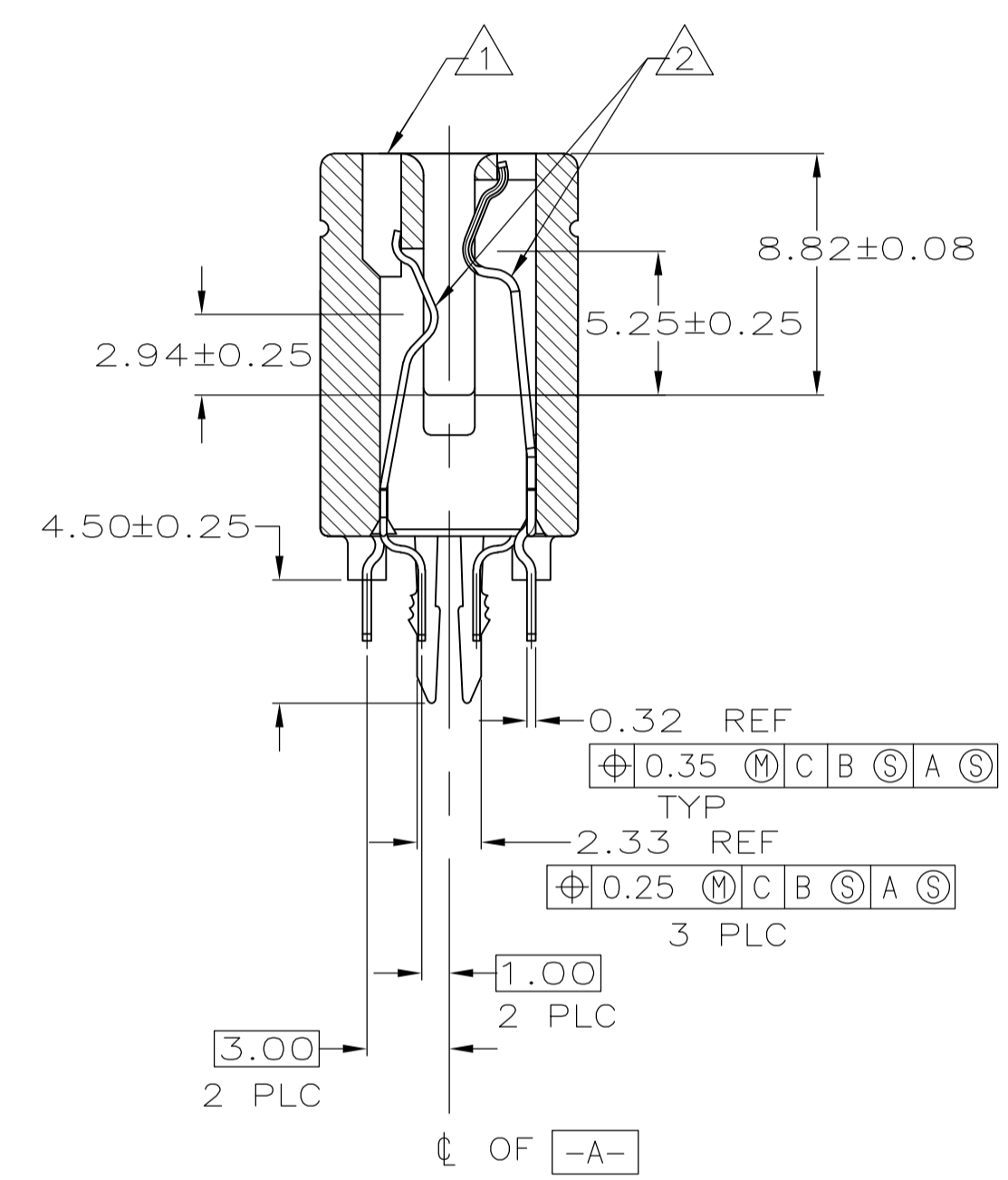
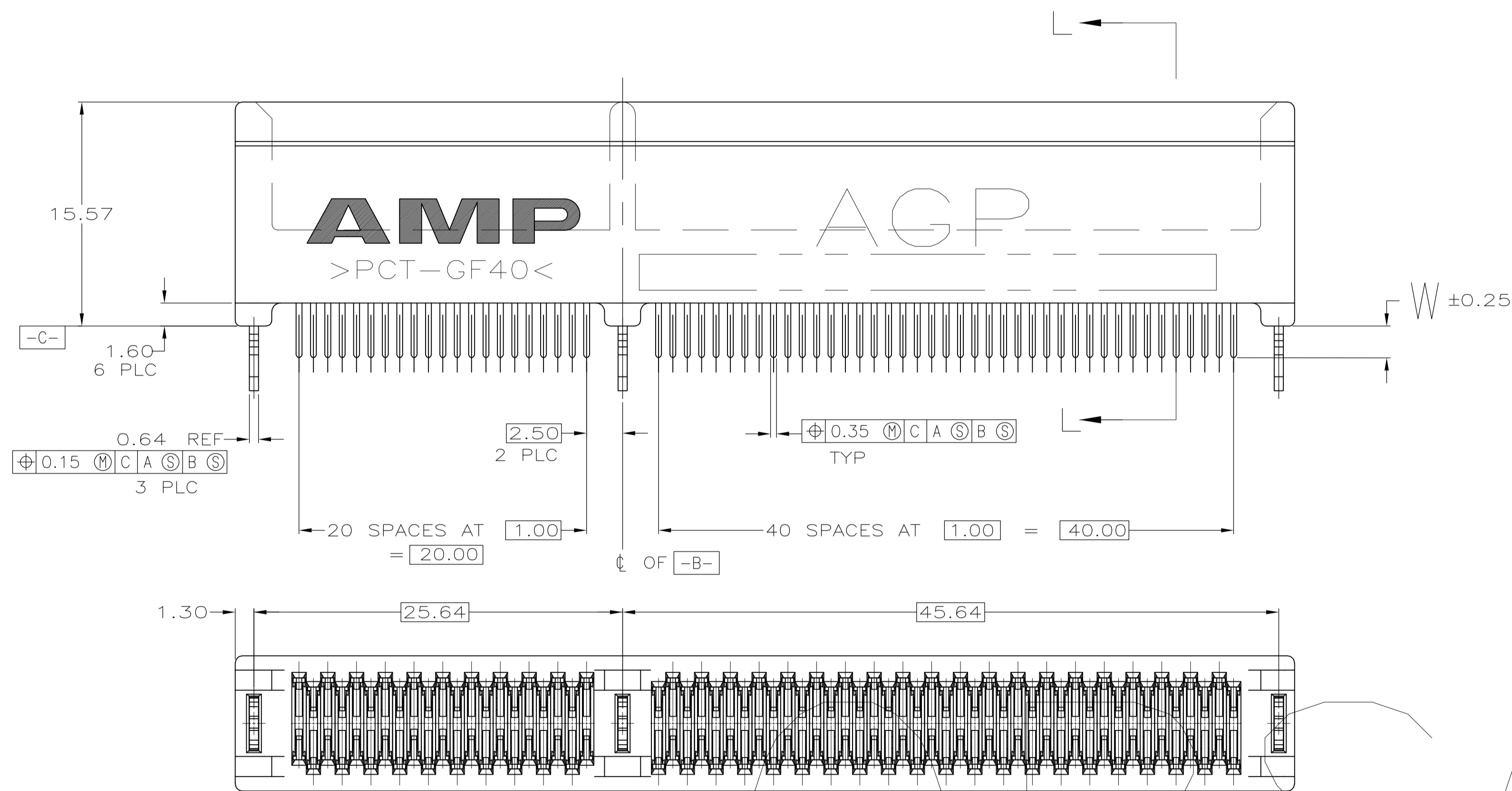
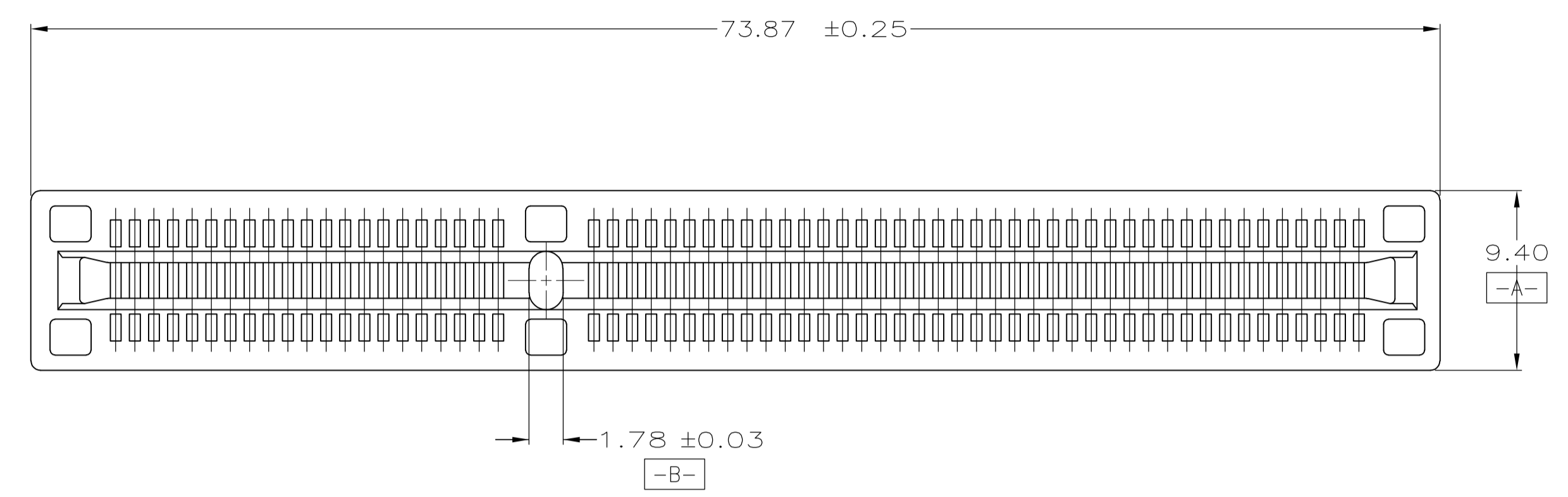


REVISIONS					
REV	DATE	DESCRIPTION	BY	CHK	APPV
H2	09MAY2017	OBSOLETE PER ECR-17-006482	SZ	SZ	
H1	07JAN10	REV PER ECO-09-021826	KW	AEG	
H	05/17/99	REV PER OG51-0062-99	MM	EL	
G	01/20/99	REV PER EC OG51-0294-98	MM	DD	
F	01/17/99	REV PER EC OG51-0226-98	MM	EL	
E	8/4/98	REVISED PER OG51-0107-98	RB	DD	
D	7/15/98	REVISED PER OG51-0101-98	RB	DD	
C	8/14/97	REVISED PER 0430-0286-97	RB	MB	
B	6/3/97	REVISED PER 0430-0204-97	RB	MB	
H2	5/15/97	REVISED PER 0430-0163-97	RB	MB	



SECTION L-L

- △ MATERIAL: HOUSING, THERMOPLASTIC, COLOR: BROWN.
CONTACTS, PHOSPHOR BRONZE.
HOLD-DOWNS, BRASS.
- △ FINISH: CONTACTS, 1.27 MIN. MICROMETERS NICKEL ALL OVER,
0.38 MIN. MICROMETERS GOLD OVER NICKEL IN CONTACT AREA,
2.54 MIN MICROMETERS TIN-LEAD OVER NICKEL ON SOLDER TAILS.
- △ FINISH: CONTACTS, 1.27 MIN. MICROMETERS NICKEL ALL OVER,
0.0254-0.0762 MICROMETERS GOLD OVER NICKEL IN CONTACT AREA.
2.54 MIN. MICROMETERS TIN-LEAD OVER NICKEL ON SOLDER TAILS.
- △ OBSOLETE PARTS: OBSOLETE CIS STREAMLINING PER D.RENAUD/D.SINISI

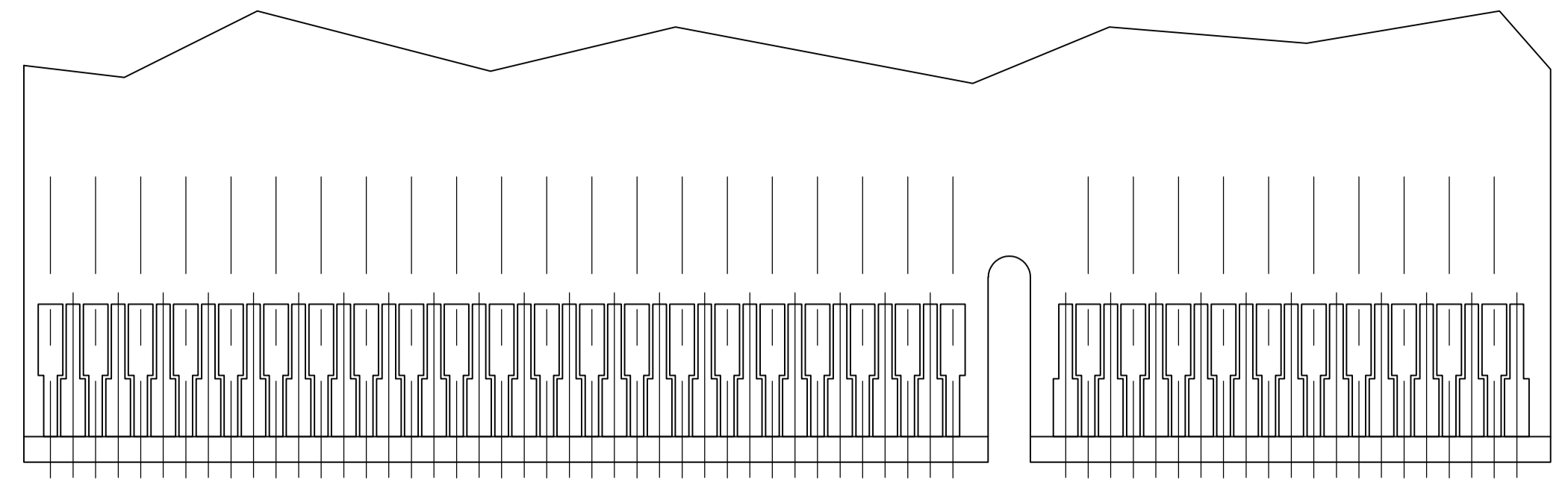
△ OBSOLETE	△	3.18	145263-6
OBSOLETE	△	2.54	145263-5
OBSOLETE	△	3.18	145263-3
OBSOLETE	△	2.54	145263-2
OBSOLETE	△	2.16	145263-1
PLATING	W		PART NO

THIS DRAWING IS A CONTROLLED DOCUMENT.

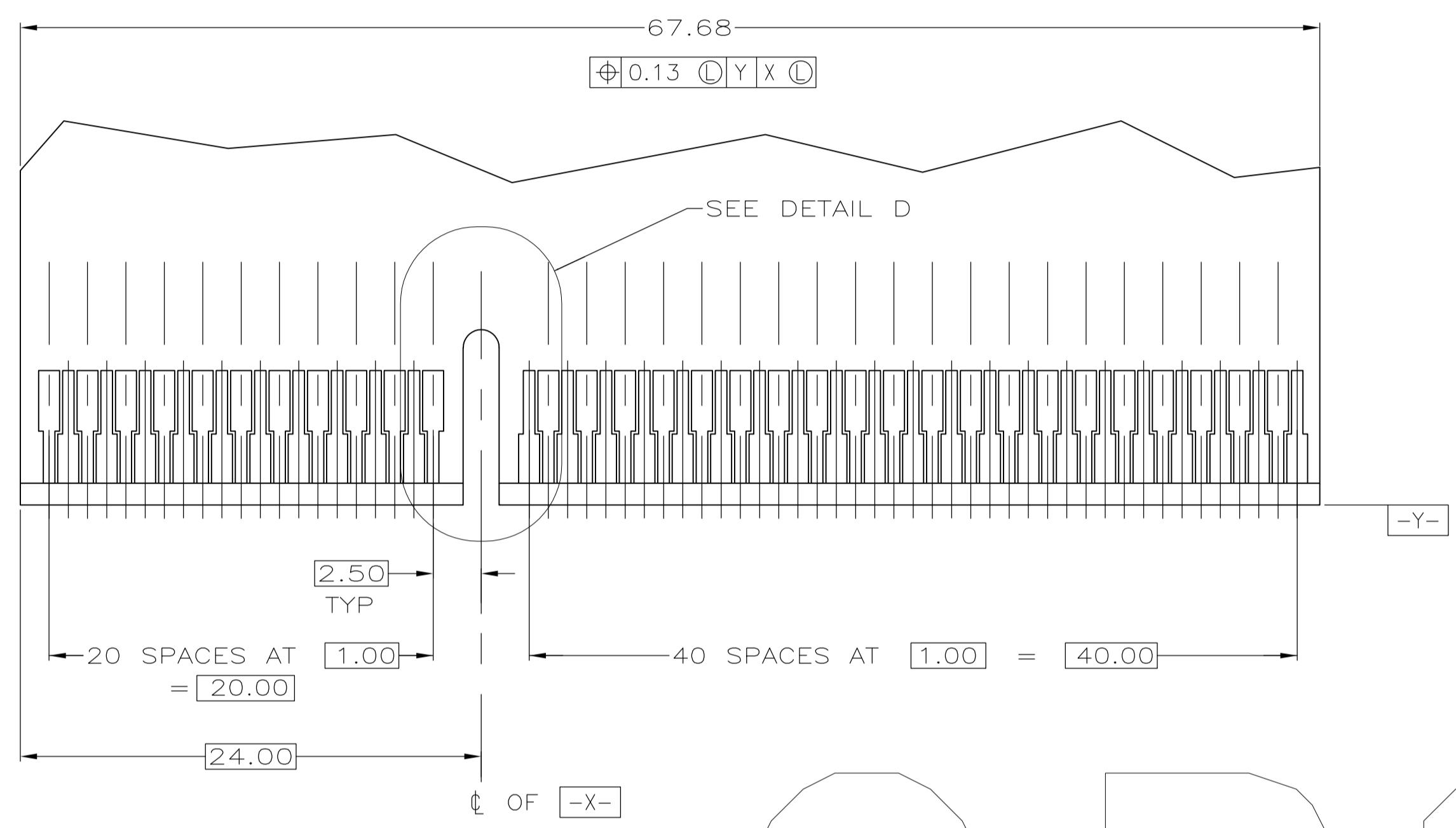
DIMENSIONS: mm	TOLERANCES UNLESS OTHERWISE SPECIFIED:	DIN R BROWN 1/7/97	APVD D SARVER 1/7/97	NAME
0 PLC ± -	1 PLC ± -	CHK M BOWERS 1/7/97	PRODUCT SPEC	ASSEMBLY, 124 POSITION
2 PLC ± 0.13	3 PLC ± -	APVD	APPLICATION SPEC	1mm, CARD EDGE CONNECTOR
4 PLC ± -	ANGLES ± 9°	SIZE	RESTRICTED TO	
MATERIAL △	FINISH △△	WEIGHT 0	A1 00779 C=145263	
		CUSTOMER DRAWING	SCALE 4:1	SHEET 1 OF 2 REV H2

STE TE Connectivity

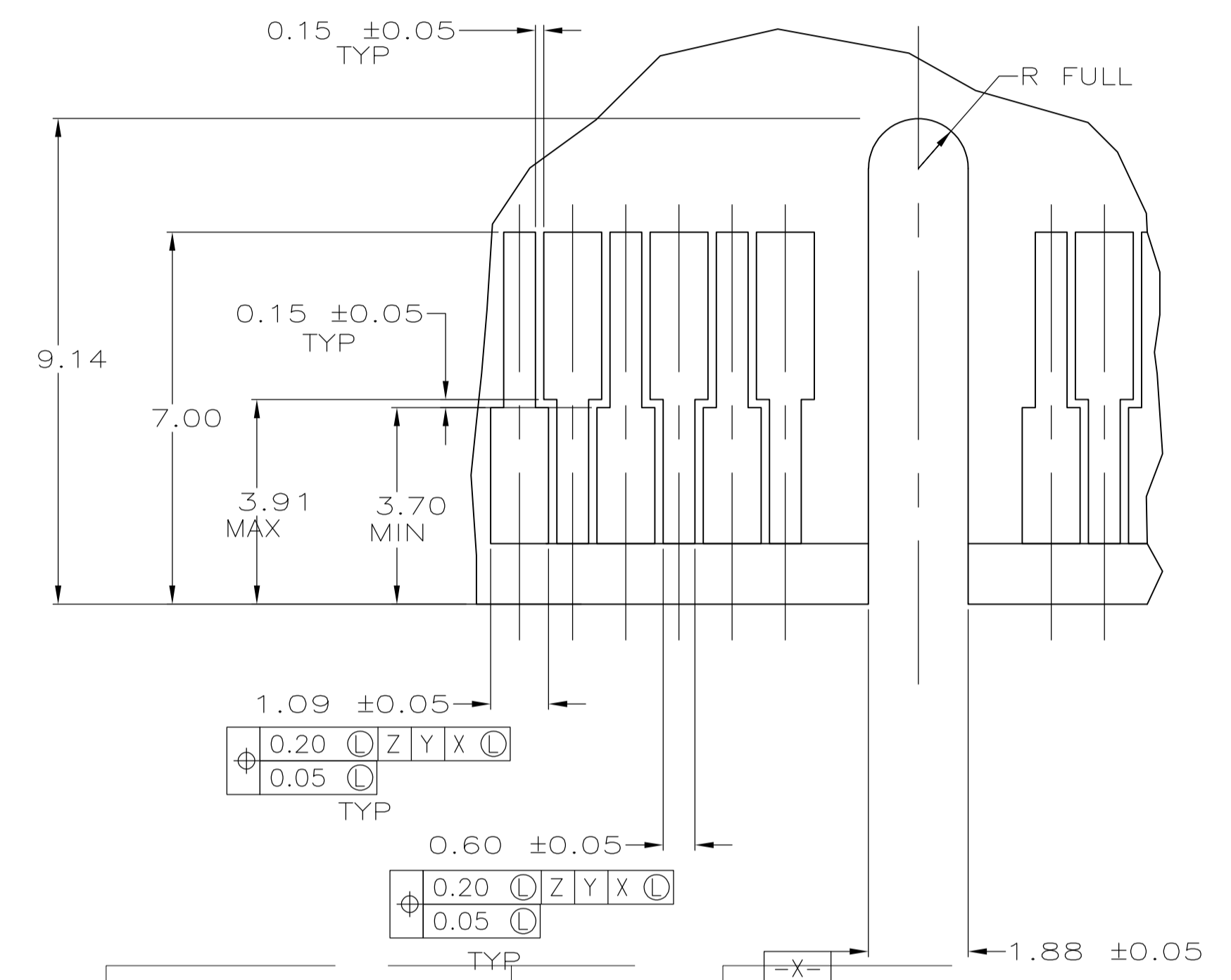
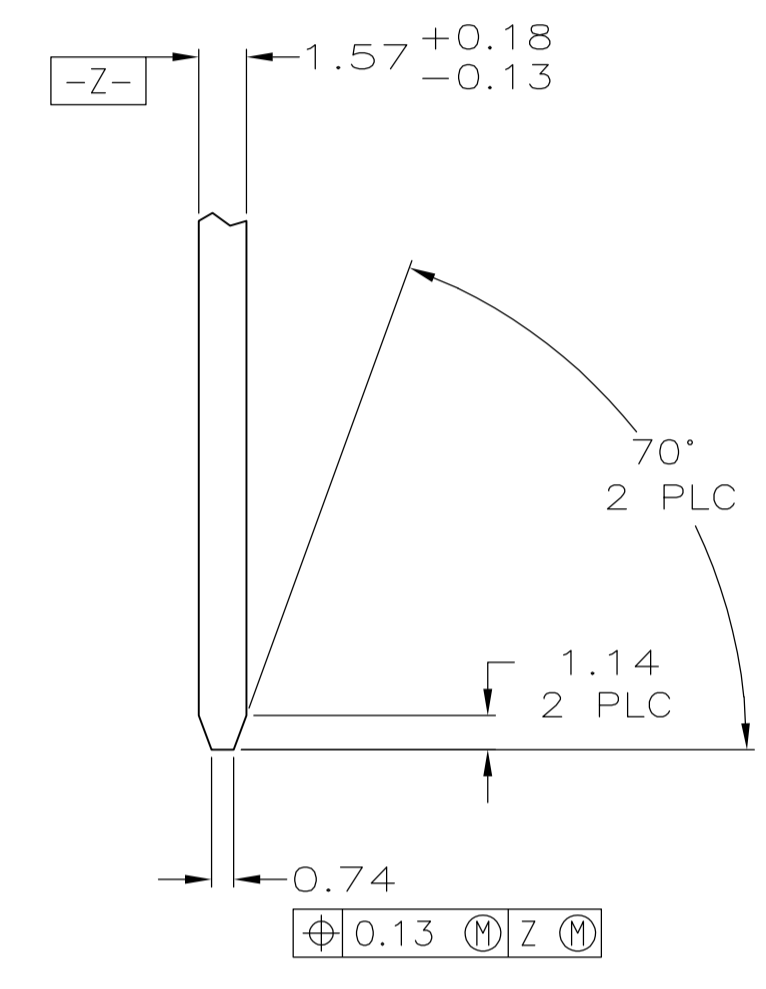
REVISIONS				
P	LTR	DESCRIPTION	DATE	APPD
-	-	SEE SHEET 1	-	-



RECOMMENDED CONNECTOR MATING PAD PATTERN
(SECONDARY SIDE SHOWN)

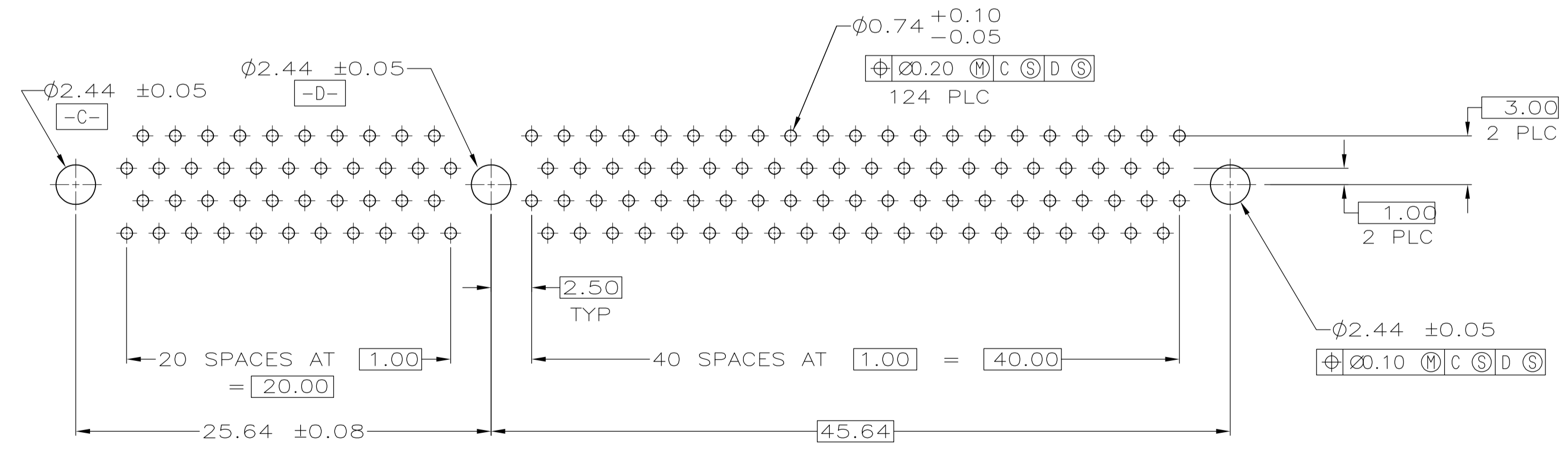


RECOMMENDED CONNECTOR MATING PAD PATTERN
(PRIMARY SIDE SHOWN)



DETAIL D
SCALE 10:1

BOWERS



RECOMMENDED CONNECTOR MOUNTING HOLE PATTERN
(CONNECTOR SIDE SHOWN)

THIS DRAWING IS A CONTROLLED DOCUMENT.		DWN R. BROWN 1/7/97	
DIMENSIONS: mm		CHK M. BOWERS 1/7/97	
TOLERANCES UNLESS OTHERWISE SPECIFIED:		APPD D. SARVER 1/7/97	NAME ASSEMBLY, 124 POSITION 1mm CARD EDGE CONNECTOR
0 PLC ± - 1 PLC ± - 2 PLC ± 0.13 3 PLC ± - 4 PLC ± - ANGLES ± 2° FINISH SEE TABLE		PRODUCT SPEC APPLICATION SPEC	RESTRICTED TO
MATERIAL -		WEIGHT -	SIZE A1
CUSTOMER DRAWING		SCALE 4:1	SHEET 2 OF 2 REV H2

单击下面可查看定价，库存，交付和生命周期等信息

[>>TE Connectivity\(泰科\)](#)