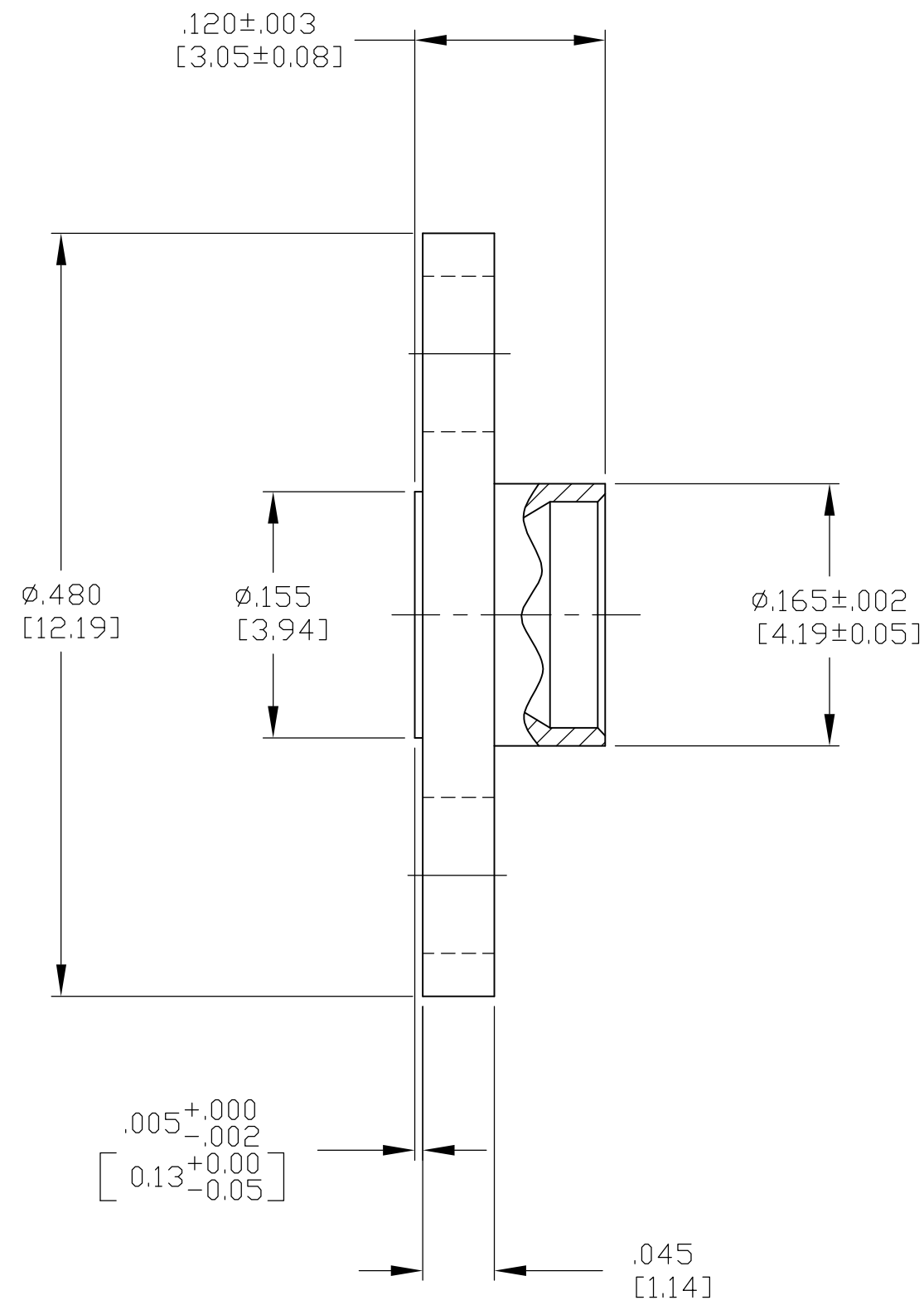
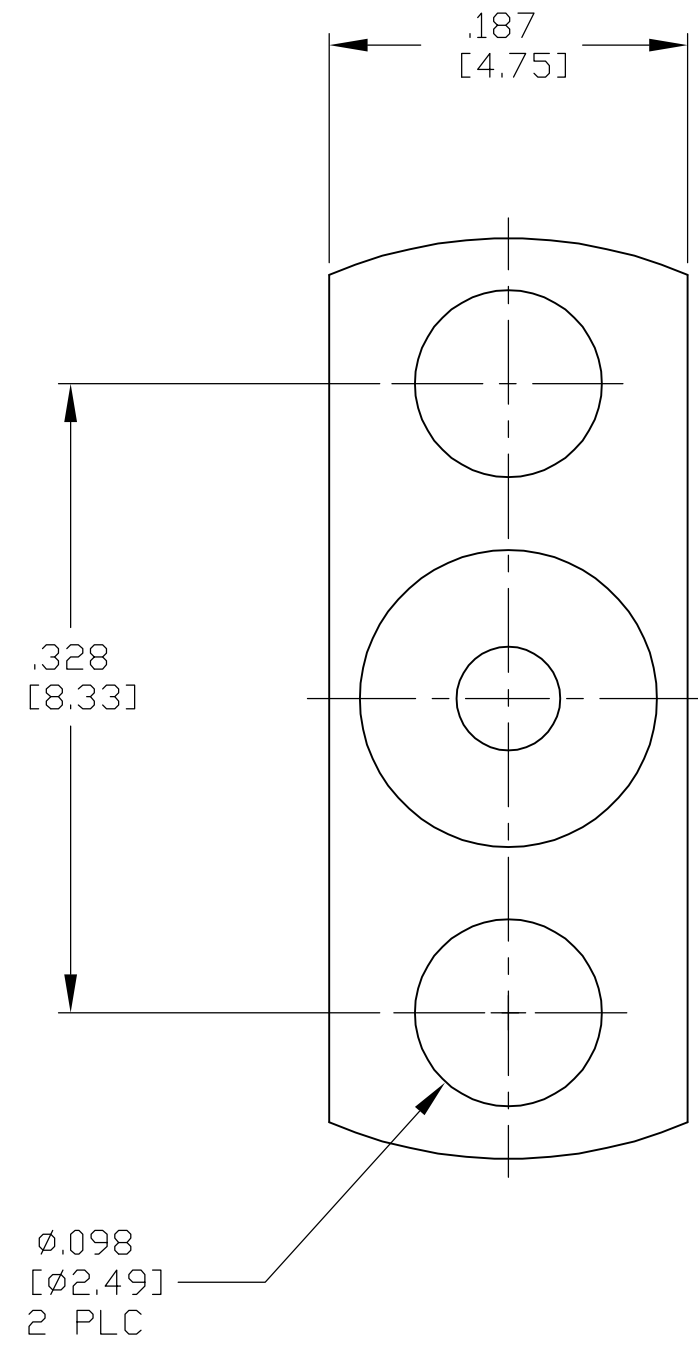


THIS DRAWING IS UNPUBLISHED. RELEASED FOR PUBLICATION  
 © COPYRIGHT BY TYCO ELECTRONICS CORPORATION. ALL RIGHTS RESERVED.

LOC	DIST	REVISIONS			
P	LTR	DESCRIPTION	DATE	DWN	APVD
X0	DF	A	RELEASED	4-18-05	CT BM

- 1. STAINLESS STEEL PER ASTM-A-582
- 2. PASSIVATION PER AMS QQ-P-35
- 3. SMP INTERFACE PER MIL-STD-348A, FIGURE 326-3
- 4. DSCC REFERENCE PART NUMBER: 94007ZSP-3L



2	1	1757024-1
FINISH	MATERIAL	PART NO.

THIS DRAWING IS A CONTROLLED DOCUMENT.		DWN B. MOYER 12APR05	Tyco Electronics Corporation Harrisburg, Pa 17105-3608	
DIMENSIONS: INCHES		CHK C.C.THOMAS 4-18-05	NAME HOUSING SHROUD, LIMITED DETENT SMP	
TOLERANCES UNLESS OTHERWISE SPECIFIED:		APVD B. MOYER 4-18-05	SIZE A2	CAGE CODE 00779
0 PLC ± - 1 PLC ± - 2 PLC ± - 3 PLC ± .005 (0.13) 4 PLC ± - ANGLES ± 1°		PRODUCT SPEC APPLICATION SPEC	DRAWING NO C=1757024	RESTRICTED TO -
MATERIAL SEE TABLE	FINISH SEE TABLE	WEIGHT -	SCALE 10:1	SHEET 1 OF 1
CUSTOMER DRAWING			REV A	

单击下面可查看定价，库存，交付和生命周期等信息

[>>TE Connectivity\(泰科\)](#)