

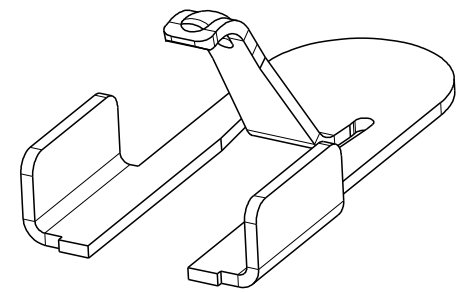
THIS DRAWING IS UNPUBLISHED. RELEASED FOR PUBLICATION

© COPYRIGHT - BY - ALL RIGHTS RESERVED.

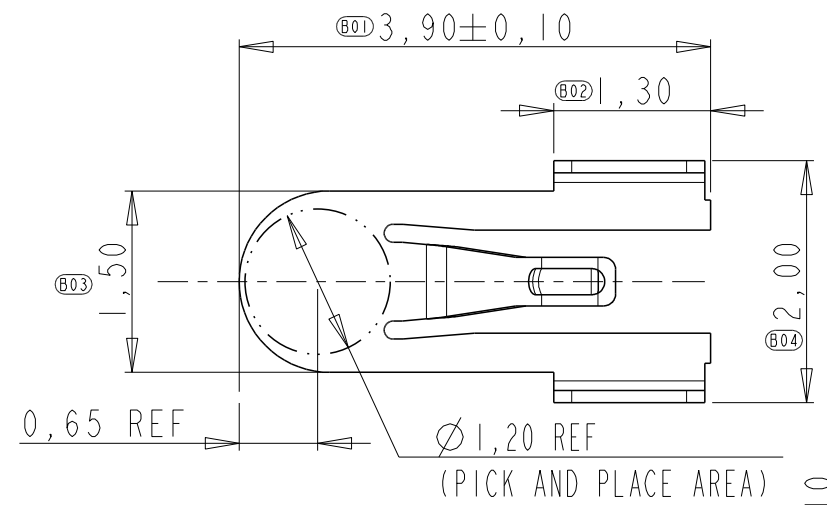
LOC ES DIST 00

REVISIONS

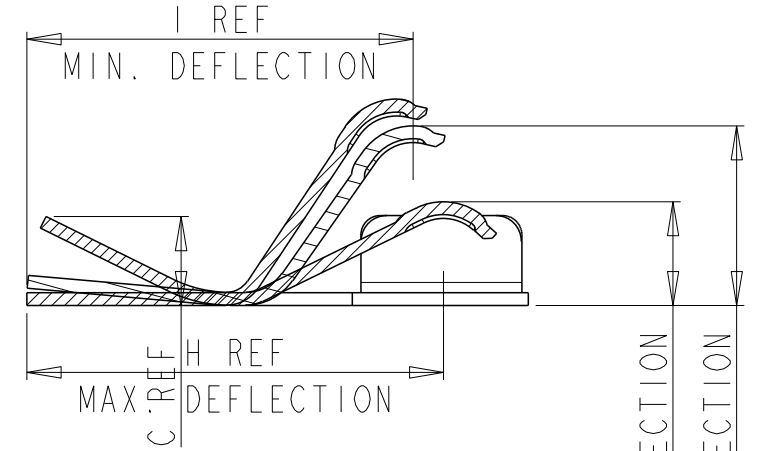
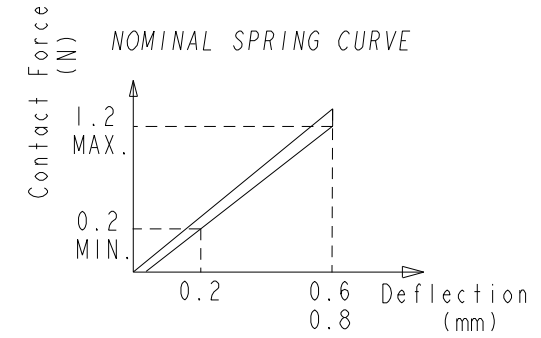
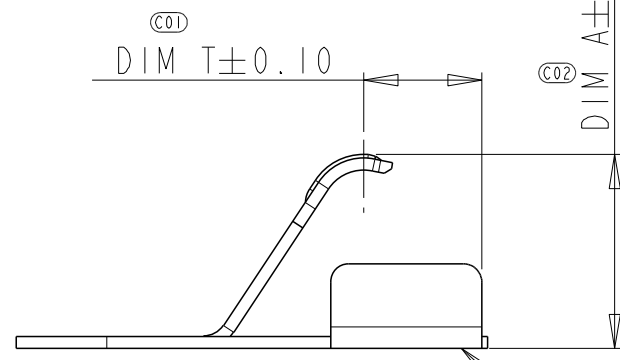
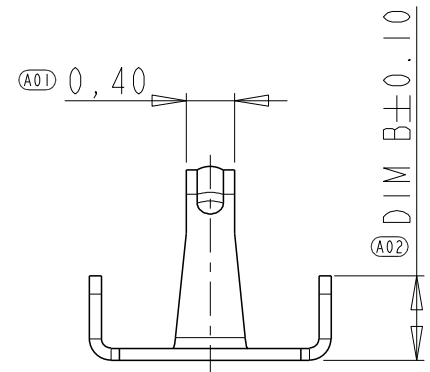
P	LTR	DESCRIPTION	DATE	DWN	APVD
	A	RELEASED	21JUL2014	J. J	W. H



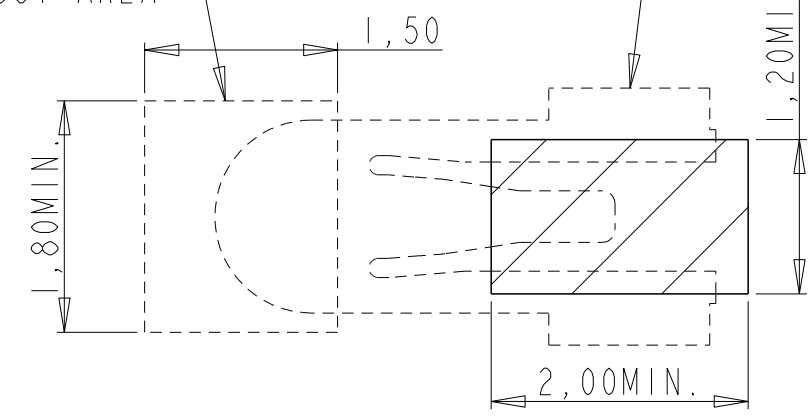
3D VIEW ONLY FOR REFERENCE



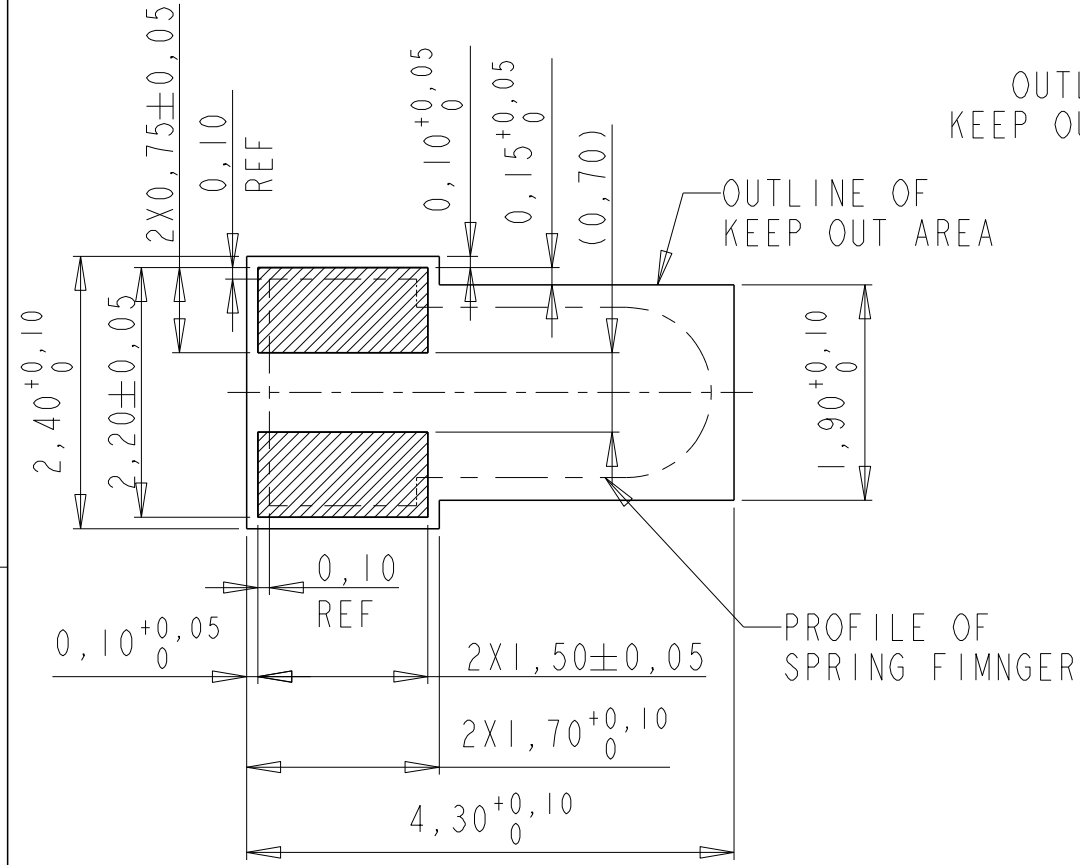
TE P/N	DIM A	DIM B	DIM C	DIM T	DIM H	DIM I	WORK RANGE	QUANTITY
2199248-4	1.0	0.3	0.34	0.63	3.25	3.24	0.4~0.8	11000
2199248-5	1.3	0.4	0.46	0.80	3.26	3.16	0.5~1.1	9000
2199248-6	1.6	0.7	0.69	1.02	3.24	3.00	0.8~1.4	8000



OUTLINE OF KEEP OUT AREA



RECOMMENDED MATING PWB LAYOUT



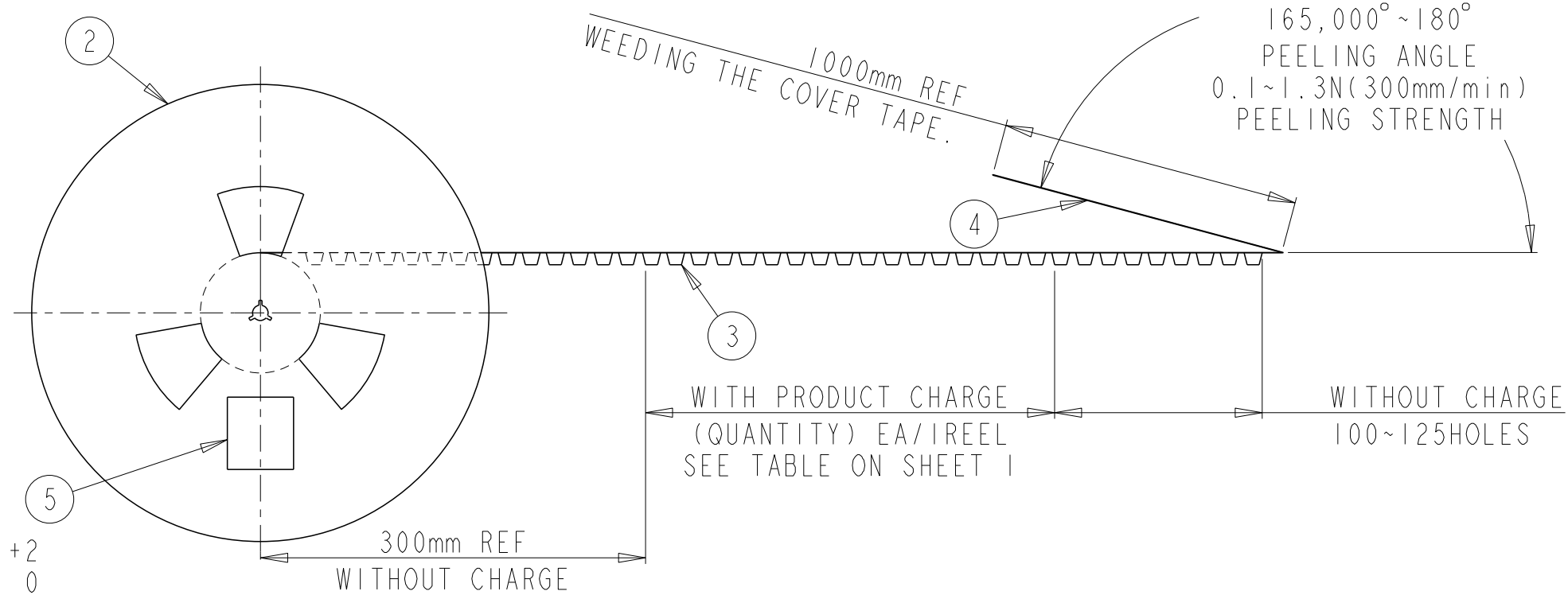
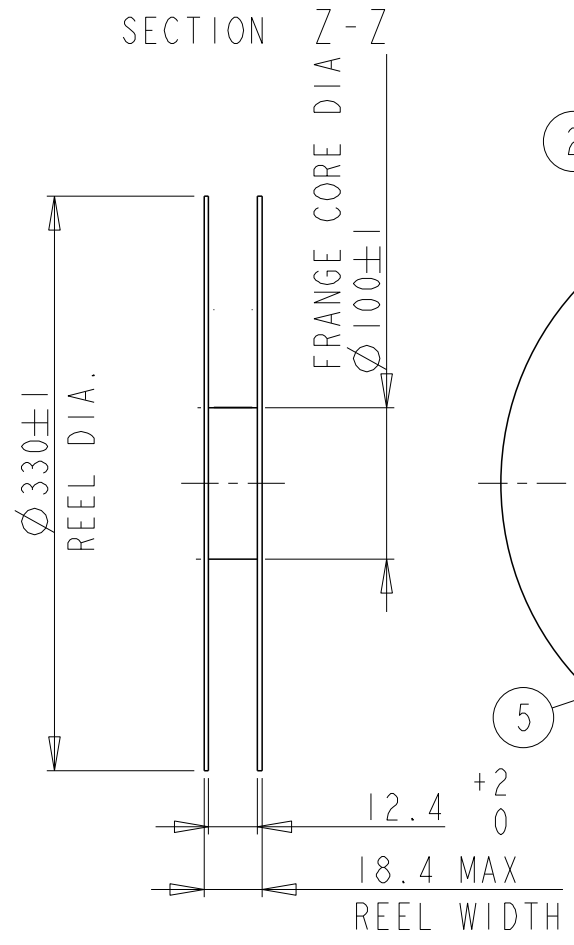
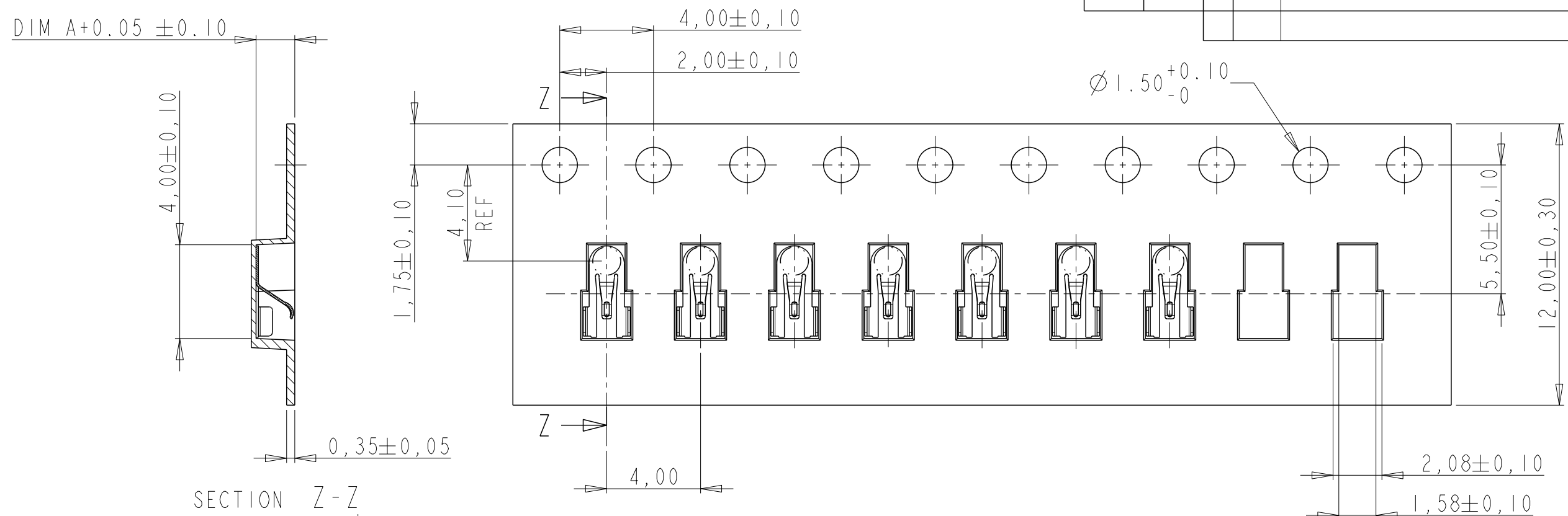
RECOMMENDED SOLDERING PWB LAYOUT

- 1 PART NUMBER: SEE TABLE.
- 2 MATERIAL: SUS THICKNESS=0.10MM.
- 3 PLATING: 2um MIN. NICKEL UNDERLAYER ALL OVER
0,50um MIN. GOLD ON CONTACT SURFACE
GOLD FLASH ON SOLDERING SURFACE
- 4 PICK AND PLACE SURFACE Ø1.2MM.

THIS DRAWING IS A CONTROLLED DOCUMENT.		DWN 23SEP2013 Tony Zhang		TE Connectivity	
DIMENSIONS: mm		CHK 23SEP2013 Wenke He			
TOLERANCES UNLESS OTHERWISE SPECIFIED:		APVD 23SEP2013 Wenke He		NAME	
0 PLC ±0.2		PRODUCT SPEC		SPRING FINGER TYPE A	
1 PLC ±0.15		108-115061-1		-	
2 PLC ±0.15		APPLICATION SPEC		-	
3 PLC ±0.10		WEIGHT		-	
4 PLC ±		CUSTOMER DRAWING		-	
ANGLES ±5°		SIZE A3		CAGE CODE 00779	
FINISH		DRAWING NO. C-2199248		RESTRICTED TO	
MATERIAL		SCALE 25:1		SHEET 1 OF 2	
				REV A	

THIS DRAWING IS UNPUBLISHED. RELEASED FOR PUBLICATION
 © COPYRIGHT BY ALL RIGHTS RESERVED.

LOC	DIST	REVISIONS			
P	LTR	DESCRIPTION	DATE	DWN	APVD
ES	00				



THIS DRAWING IS A CONTROLLED DOCUMENT.		DWN	-	TE Connectivity	
DIMENSIONS: mm		CHK	-		
TOLERANCES UNLESS OTHERWISE SPECIFIED:		APVD	-		
0 PLC	± 0.2	PRODUCT SPEC		NAME	
1 PLC	± 0.15	108-115061-1		SPRING FINGER TYPE A	
2 PLC	± 0.15	APPLICATION SPEC		SIZE	CAGE CODE
3 PLC	± 0.10	-		A3	00779
4 PLC	± -	WEIGHT		DRAWING NO	
ANGLES	± 5°	-		G-2199248	
MATERIAL	FINISH	CUSTOMER DRAWING		RESTRICTED TO	-
		SCALE		SHEET	REV
		5:1		2 OF 2	A

单击下面可查看定价，库存，交付和生命周期等信息

[>>TE Connectivity\(泰科\)](#)