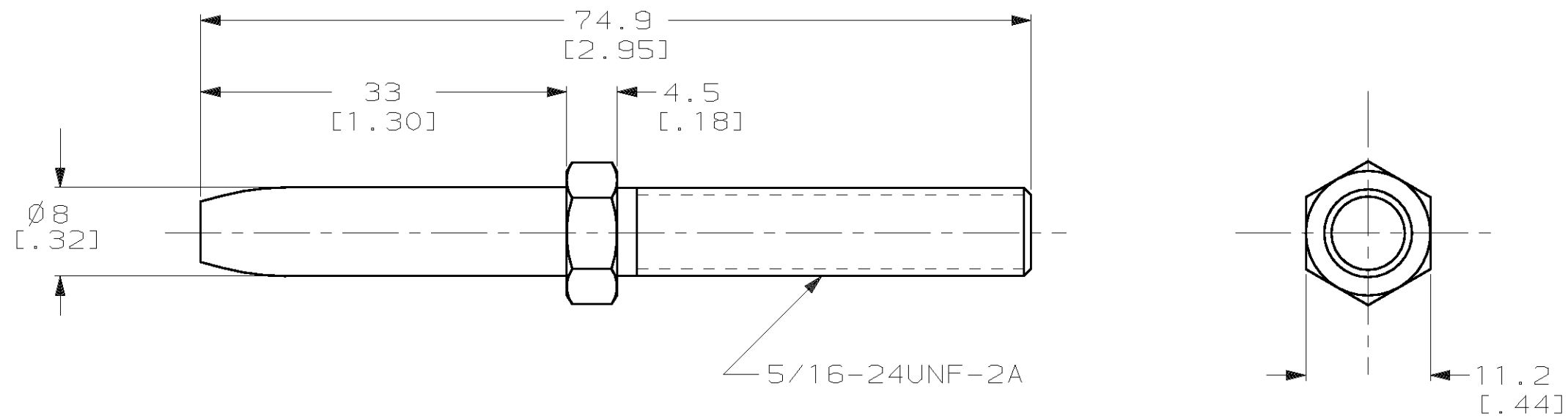


THIS DRAWING IS UNPUBLISHED. RELEASED FOR PUBLICATION, 19 .
 © COPYRIGHT 19 BY AMP INCORPORATED. ALL INTERNATIONAL RIGHTS RESERVED.

LOC	DIST	P	F	ZONE	LTR	DESCRIPTION	DATE	APPD
CH	11				A	0B20-0220-98	11/FEB/98	RNP

1. ALL DIMENSIONS ARE REFERENCE ONLY.



192293-1
 PART NO

DO NOT SCALE PRINT. UNLESS SPECIFIED DIMENSIONS IN mm [INCHES] TOLERANCES ON: 2 PLC DEC ± - 1 PLC DEC ± - ANGLES ± -	DR D. WILSON 02-25-92	AMP AMP Incorporated Harrisburg, PA 17105-3608			
	CHK -				
	APPD -	NAME PIN, 8mm			
	APPD -				
MATERIAL BRASS	PRODUCT SPEC -	SIZE B	CAGE CODE 00779	DRAWING NO 192293	
FINISH SILVER	APPLICATION SPEC -	SCALE	SHEET 1 OF 1		
	WEIGHT -				

单击下面可查看定价，库存，交付和生命周期等信息

[>>TE Connectivity\(泰科\)](#)