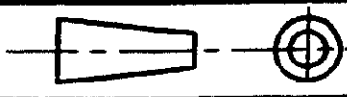
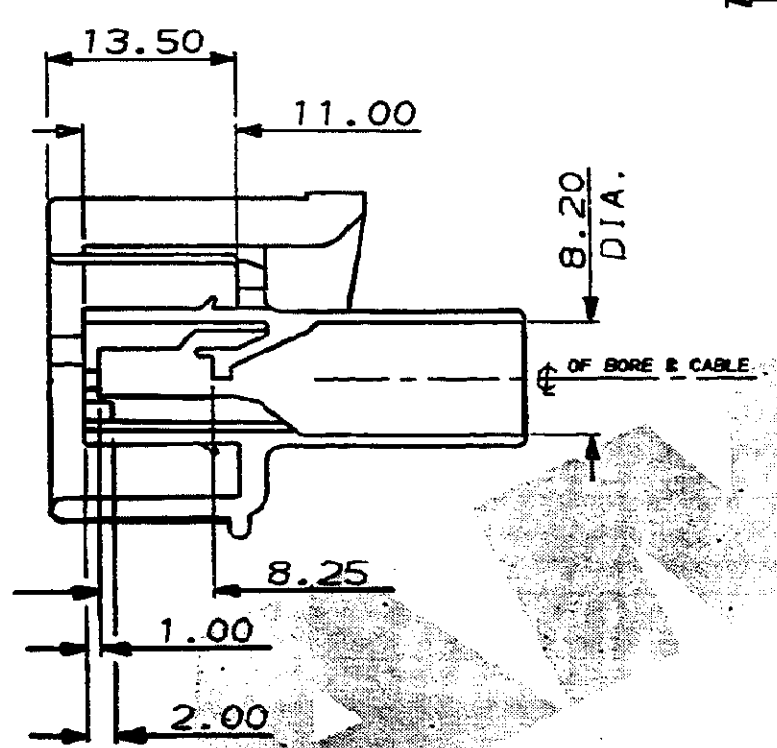
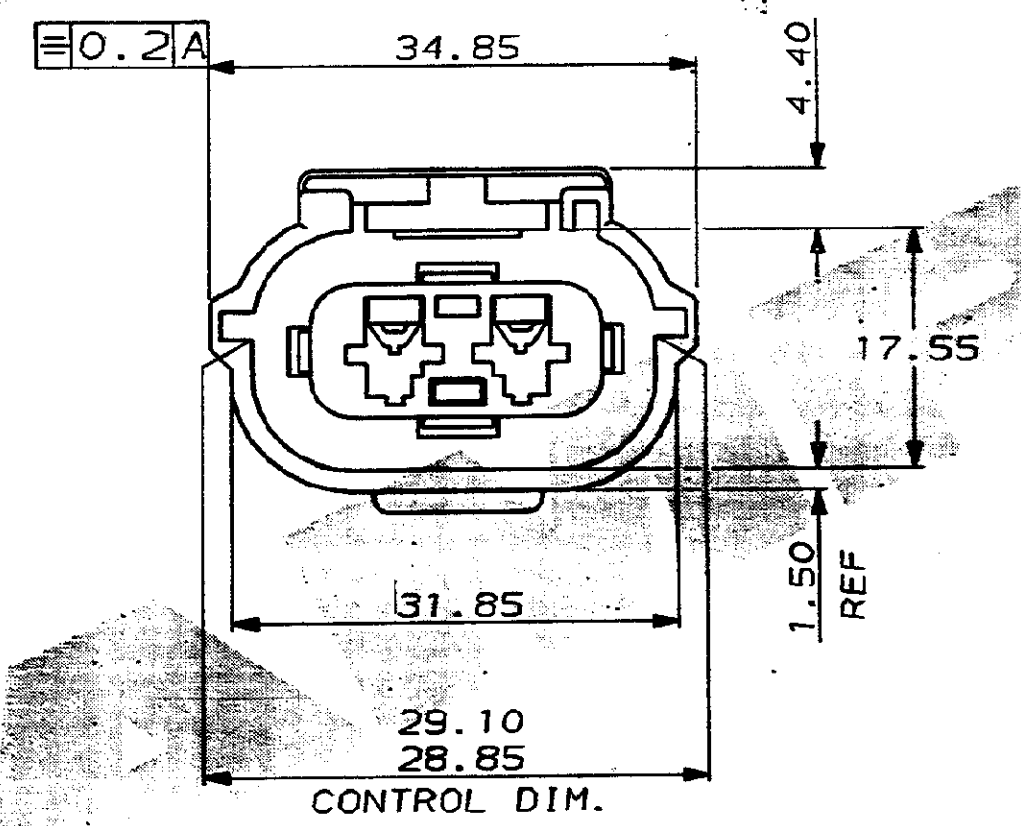
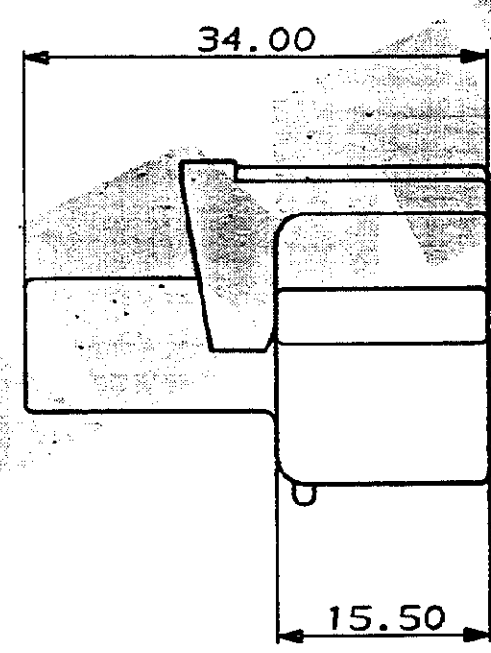
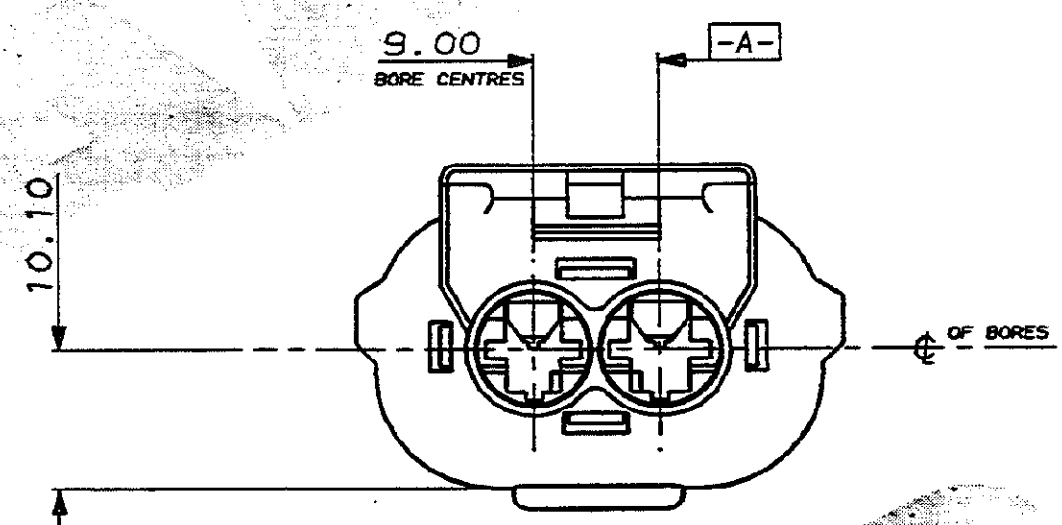
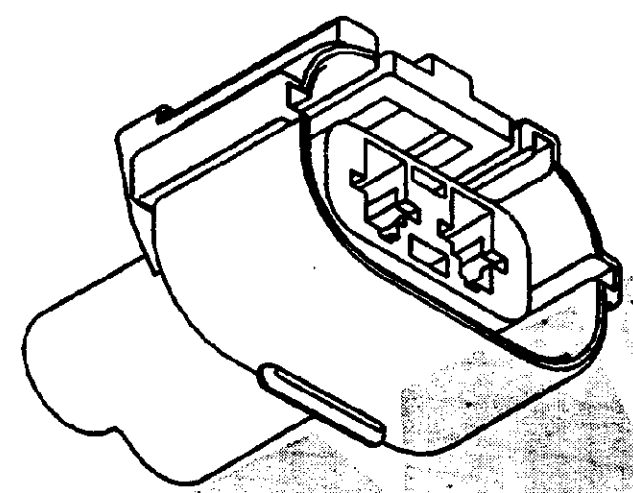
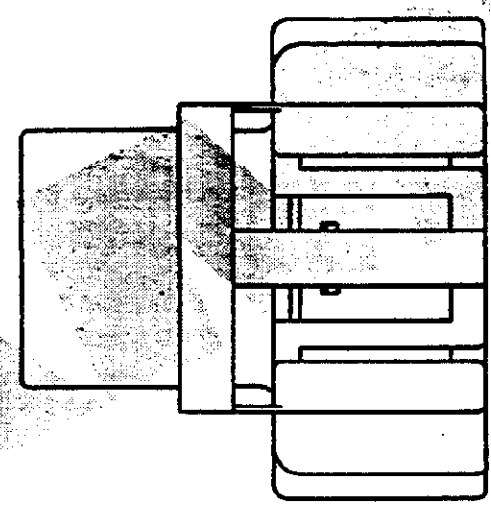
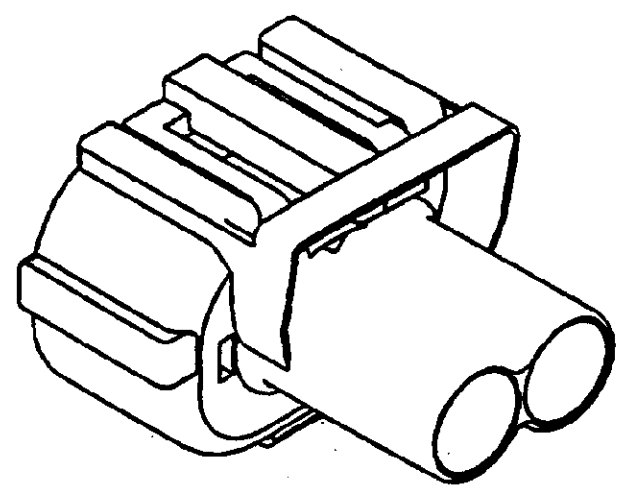


DO NOT SCALE

DIMENSIONS IN MM.



C.A.D. FILE CODE  
S. C344078.D



WHITE	NYLON 66	344078-4
BLUE	NYLON 66	344078-3
RED	NYLON 66	344078-2
BLACK	NYLON 66	344078-1
FINISH	MATERIAL	PART NUMBER
<b>CUSTOMER DWG</b> FOR REFERENCE ONLY		©COPYRIGHT 1987 BY AMP OF GREAT BRITAIN LTD. ALL INTERNATIONAL RIGHTS RESERVED. ALL PRODUCTS MAY BE COVERED BY BRITISH AND FOREIGN PATENTS AND/OR PATENTS PENDING.
TOLERANCES UNLESS OTHERWISE STATED DEC ± 0.5 ANGLES ± 1°		DR. I.J. 22/06/87 CH. R.J.S. APP. B.J.
NAME 2 WAY RECEPTACLE HSG ECONOSEAL 3 HIGH CURRENT		TERMINAL HOUSE STAMMOR H100X.
SCALE LOC SIZE 2/1 E A2		DWS.No. C344078
REV	APPROVED	DATE
	ECN	
		REV SHEET
		D 1/1

单击下面可查看定价，库存，交付和生命周期等信息

[>>TE Connectivity\(泰科\)](#)