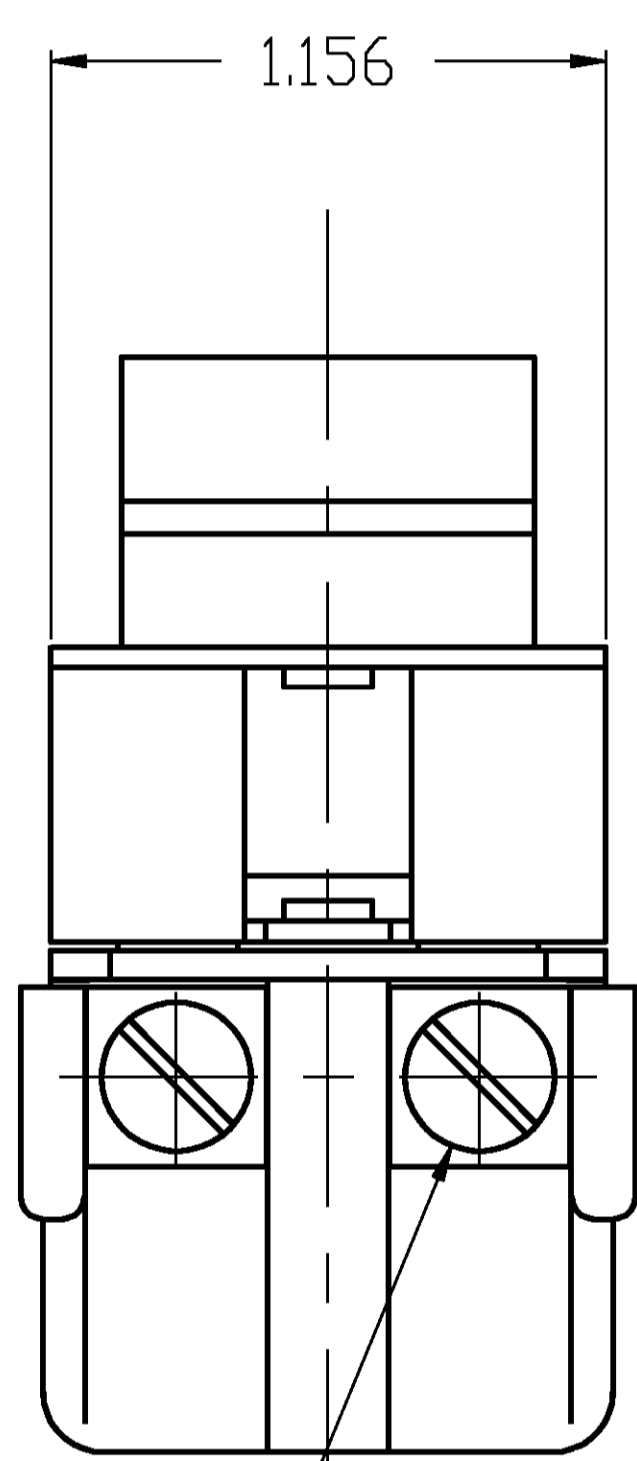
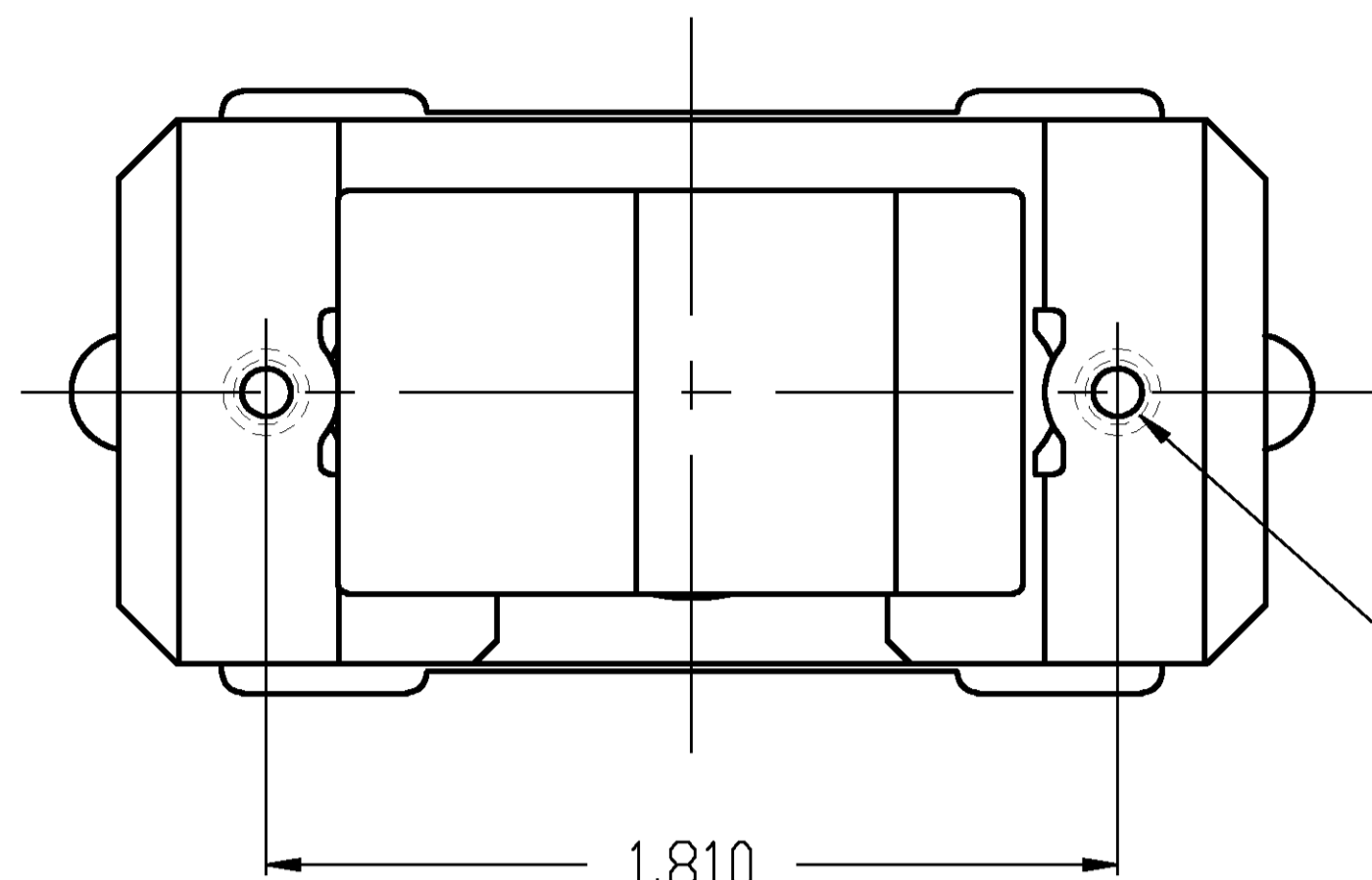
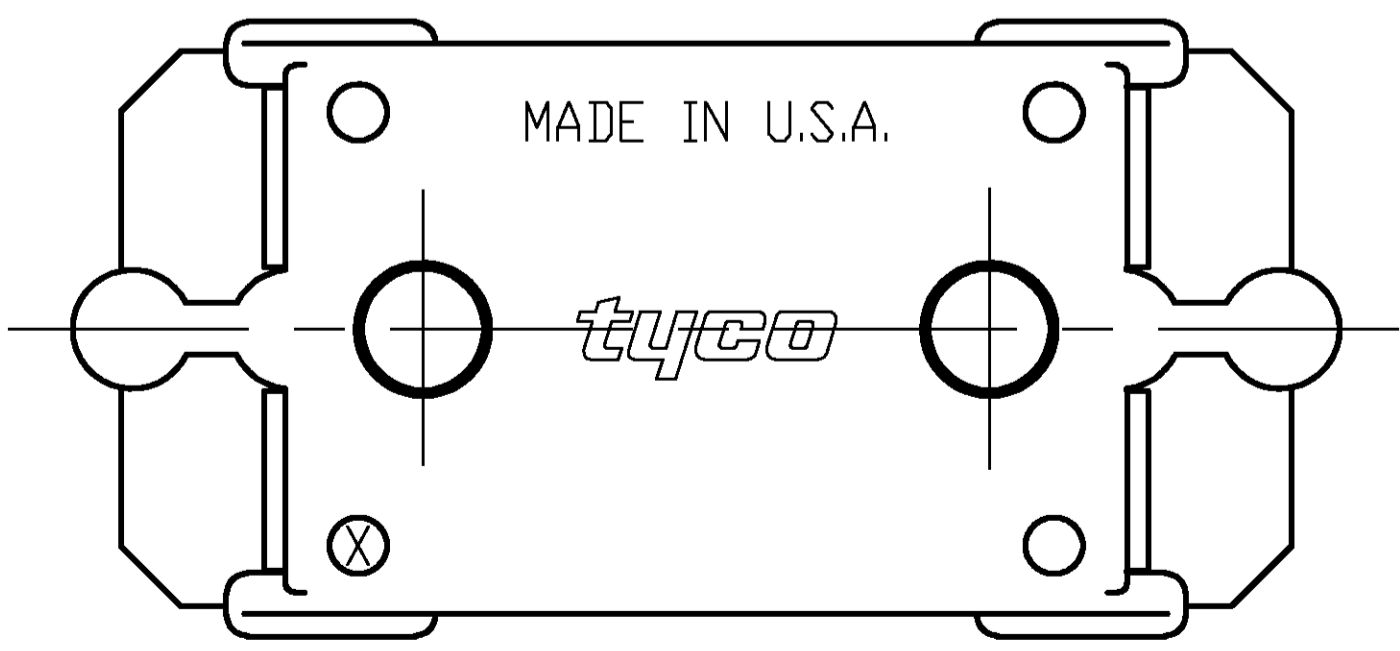
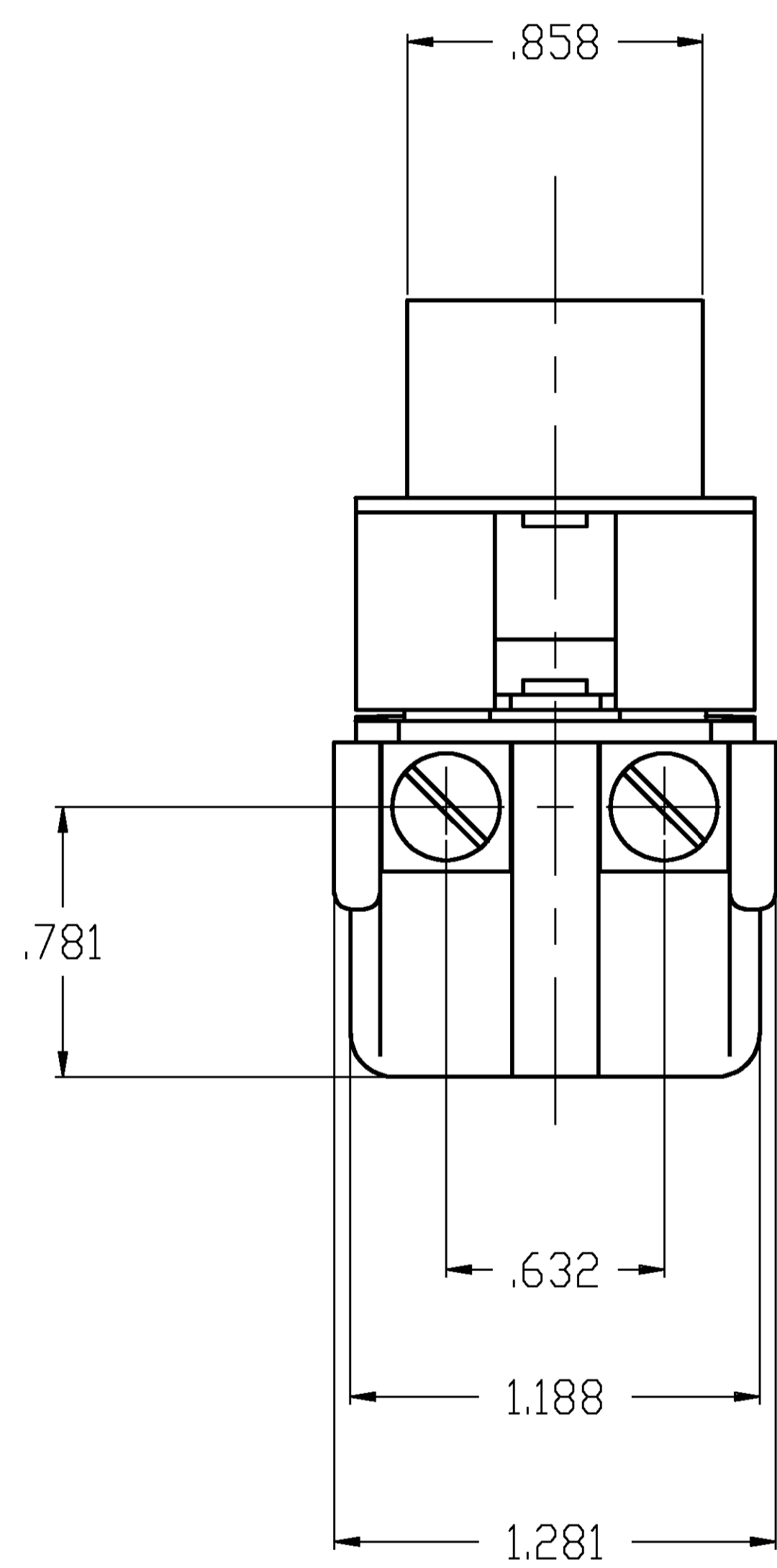
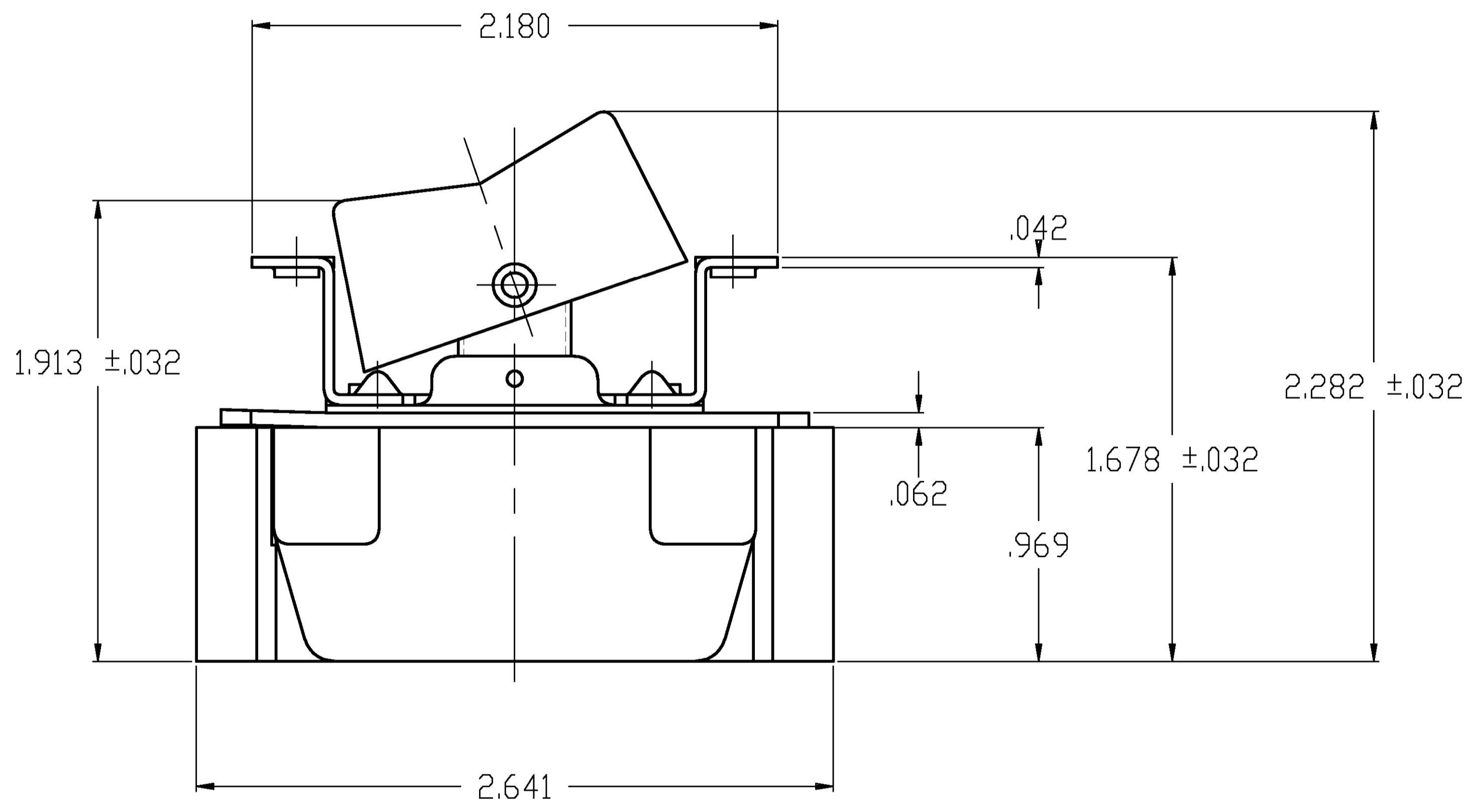


| LOC | | DIST | | REVISIONS | | | |
|-----|----|------|---------|-----------|------|------|---------------------------|
| AD | 00 | REV | DATE | BY | CHKD | APVD | |
| B1 | | | 21MAR11 | RK | HMR | | REVISED PER ECO-11-004587 |



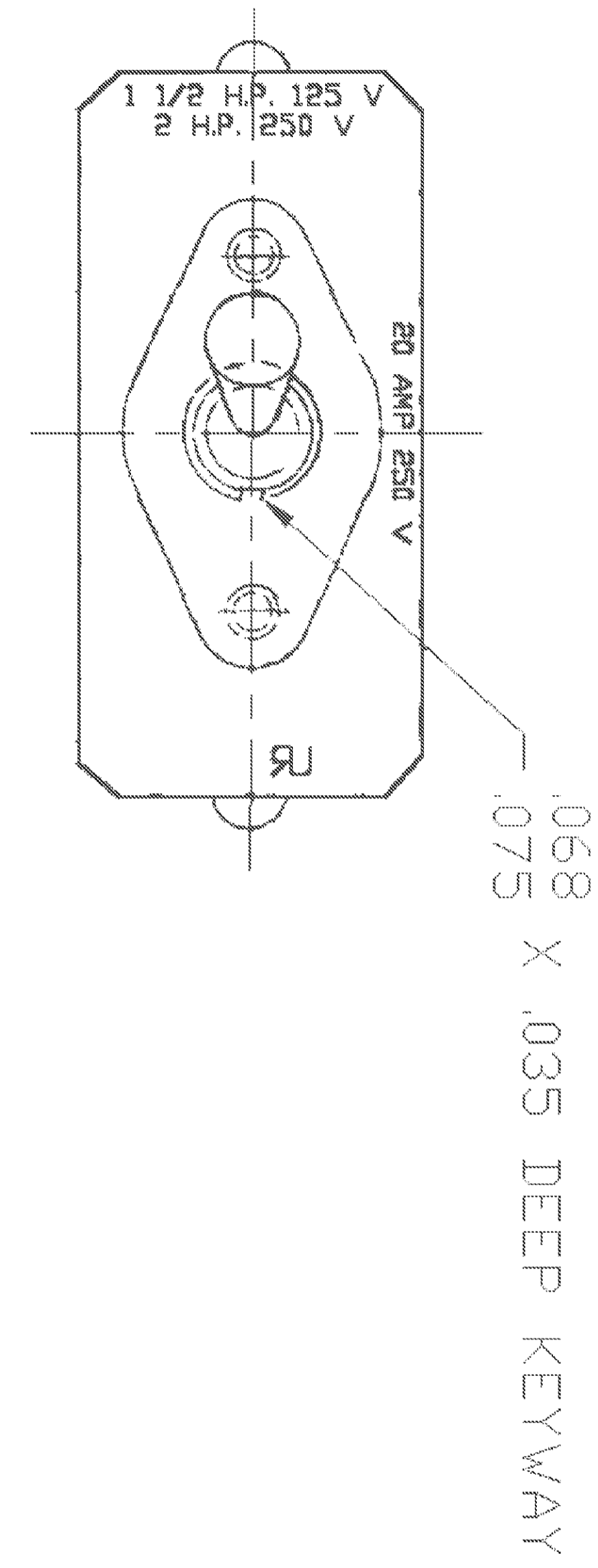
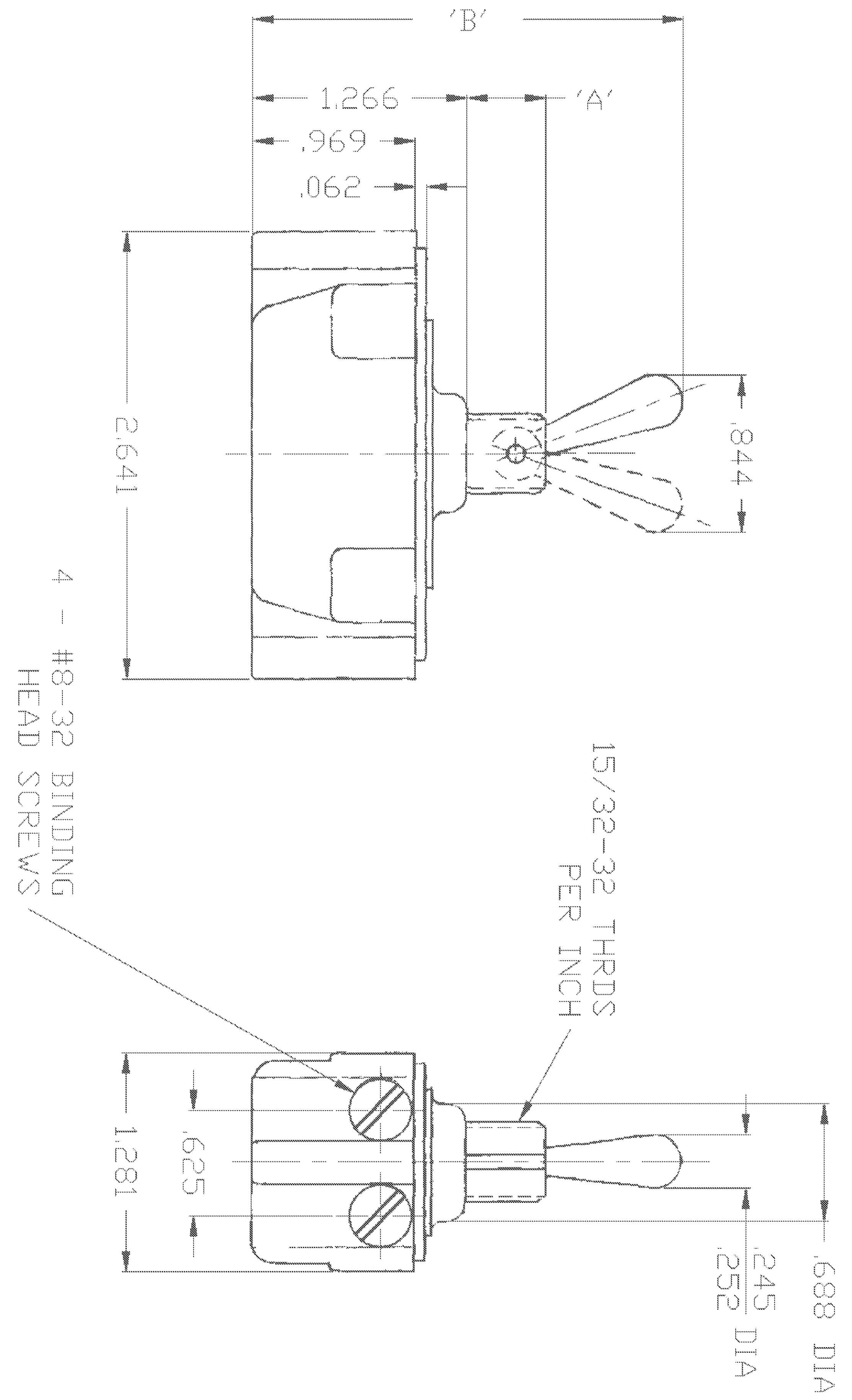
(4) 8-32 BINDING HEAD SCREWS SHIPPED UNASSEMBLED



TYCO NO. 1520230-6
(ARAB NO. 8909K500)

90-15569

| | | | | |
|--|--------------|--|-------------------------|---------------------|
| THIS DRAWING IS A CONTROLLED DOCUMENT. | | DWG: WESTEMEIER 01AUG00 | STE TE Connectivity | |
| DIMENSIONS: INCHES | | CHK: R. WALLEN 02AUG00 | NAME: R. WALLEN 02AUG00 | |
| TOLERANCES UNLESS OTHERWISE SPECIFIED: | | PRODUCT SPEC: 20A 250V PANEL MOUNT ROCKER SWITCH | | |
| 0 PLC ± - | 1 PLC ± - | TYCO NO. 1520230-6 | | |
| 2 PLC ± - | 3 PLC ± .016 | (ARAB NO. 8909K500) | | |
| 4 PLC ± - | ANGLES ± - | APPLICATION SPEC: - | | |
| FINISH: - | | SIZE: A1 | CAGE CODE: 00779 | DRAWING NO: 1520230 |
| MATERIAL: - | | CUSTOMER DRAWING | | RESTRICTED TO: - |
| | | SCALE: 1:1 | | SHEET: 1 OF 2 |
| | | | | REV: B1 |



| | | | |
|-------------|--------------|---------|---------|
| 2-1520230-2 | 7402K4 T-PAK | .469 | 2.547 |
| 2-1520230-1 | 7402K3 T-PAK | .344 | 2.422 |
| 2-1520230-3 | 8909K27 | .469 | 2.547 |
| 1520230-9 | 8910K202 | .469 | 2.547 |
| 1520230-8 | 8910K165 | .469 | 2.547 |
| 1520230-5 | 8909K4 | .469 | 2.547 |
| 1520230-4 | 7403K2 | .469 | 2.547 |
| 1520230-3 | 7403K1 | .344 | 2.422 |
| 1520230-2 | 7402K4 | .469 | 2.547 |
| 1520230-1 | 7402K3 | .344 | 2.422 |
| TYCO NO. | ARAB NO. | DIM 'A' | DIM 'B' |
| | | | 90-347 |

THIS DRAWING IS A CONTROLLED DOCUMENT.

DWG: F.R. LEONARD 19SEP40
 CHK: J. RACH 040CT40
 APD: G.J. 050CT40

NAME: 20A 250VAC TOGGLE SWITCH

PRODUCT SPEC: -
 APPLICATION SPEC: -

SIZE: A1
 CAGE CODE: 00779
 DRAWING NO: 1520230

RESTRICTED TO: -

CUSTOMER DRAWING

SCALE: N.T.S. SHEET 2 OF 2

单击下面可查看定价，库存，交付和生命周期等信息

[>>TE Connectivity\(泰科\)](#)