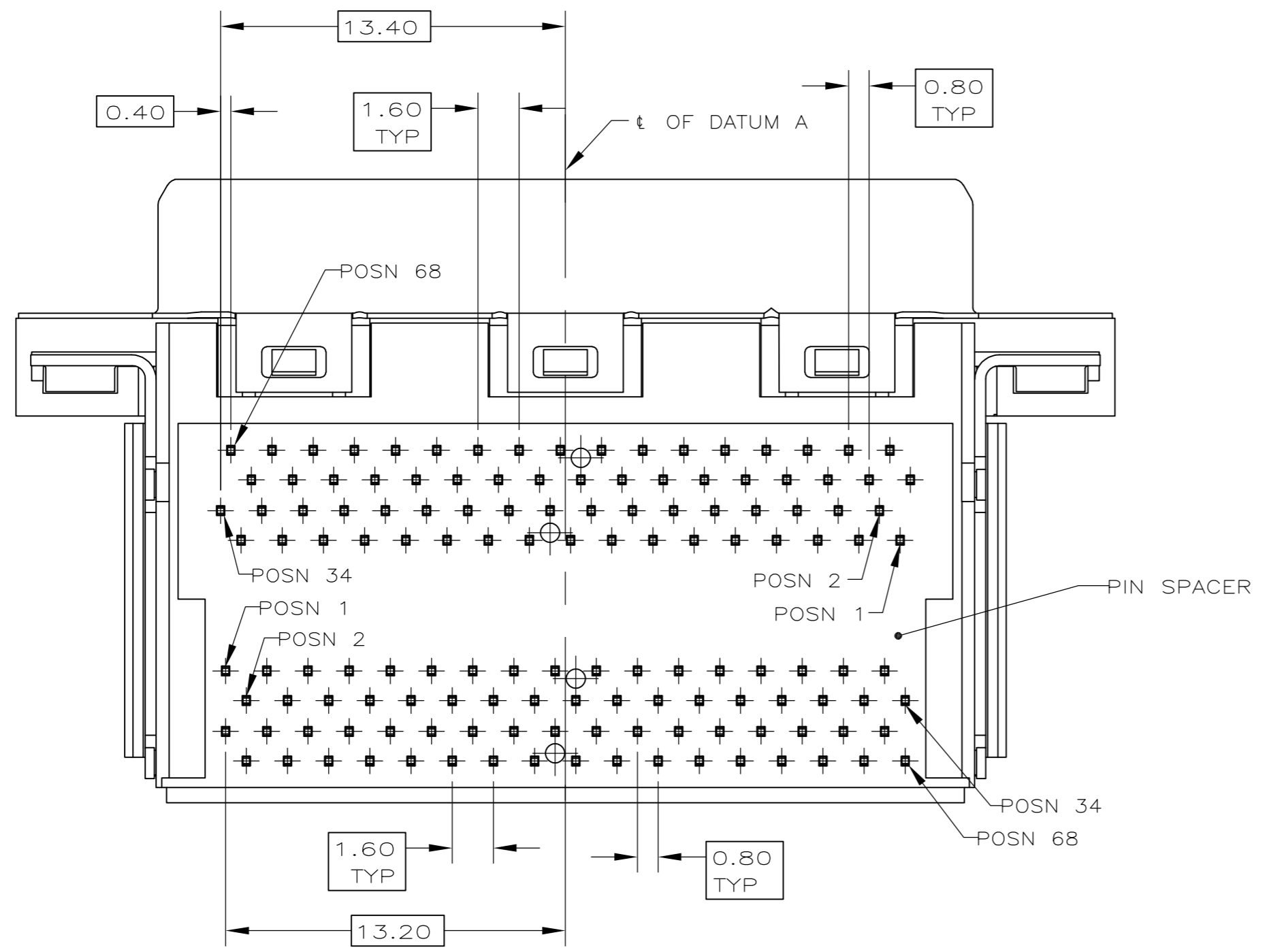
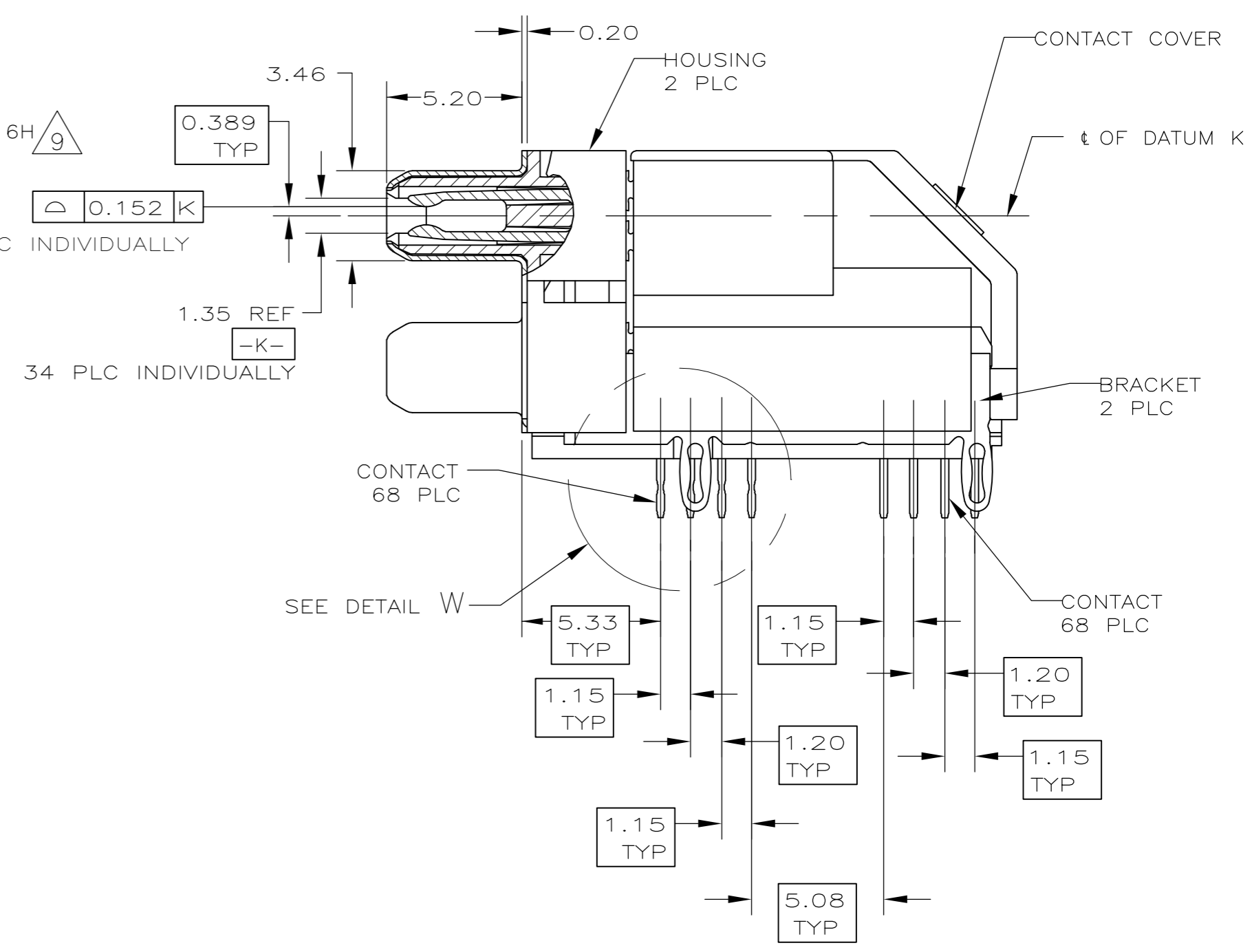
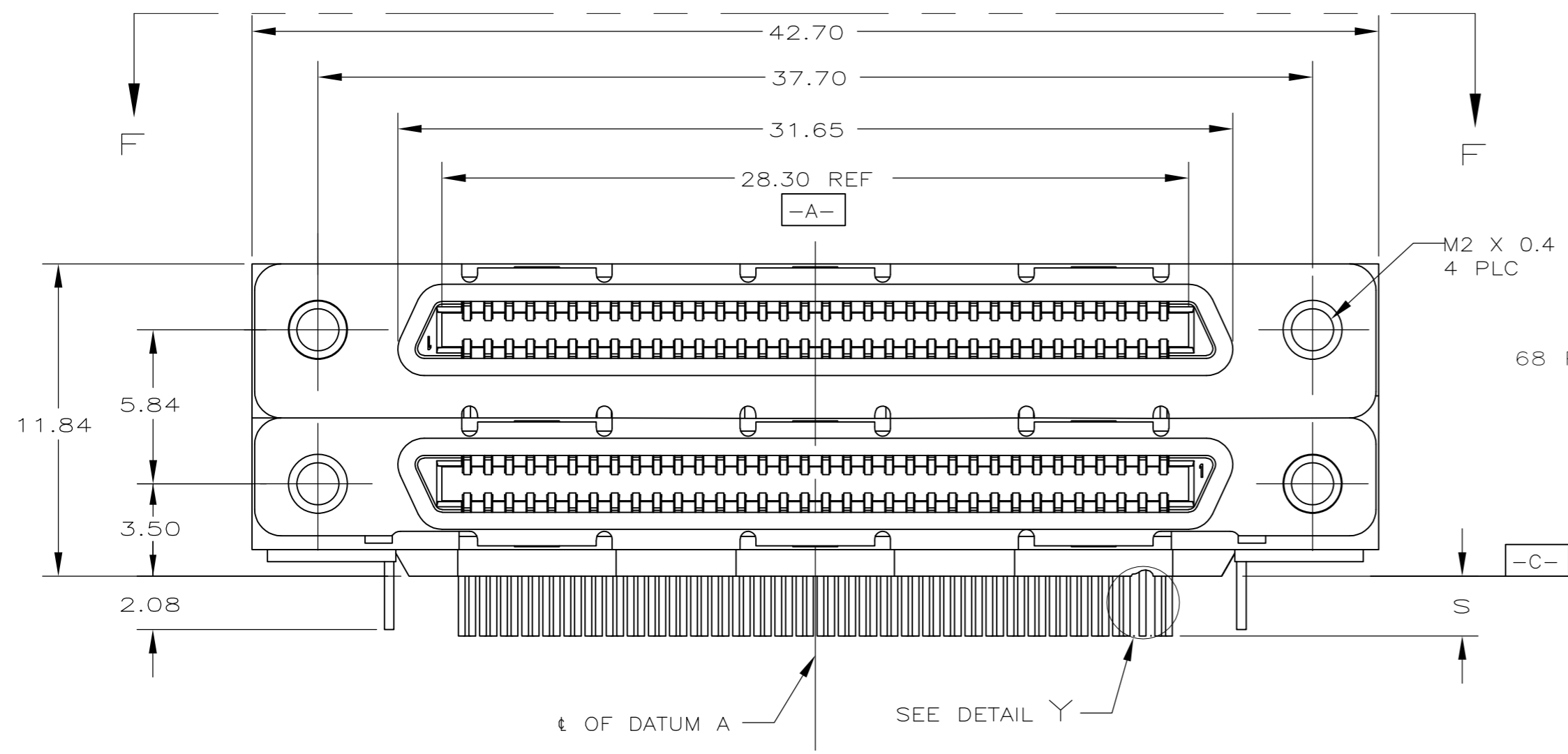


THIS DRAWING IS UNPUBLISHED. RELEASED FOR PUBLICATION
 © COPYRIGHT BY TYCO ELECTRONICS CORPORATION. ALL RIGHTS RESERVED.

LOC	DIST	REVISIONS					
		P	LTR	DESCRIPTION	DATE	DWN	APVD
GP	00	P		REVISED PER ECO-05-010789	24JUL06	BM	SS
		P1		REVISED PER ECO-10-000443	18JAN10	KK	AEG

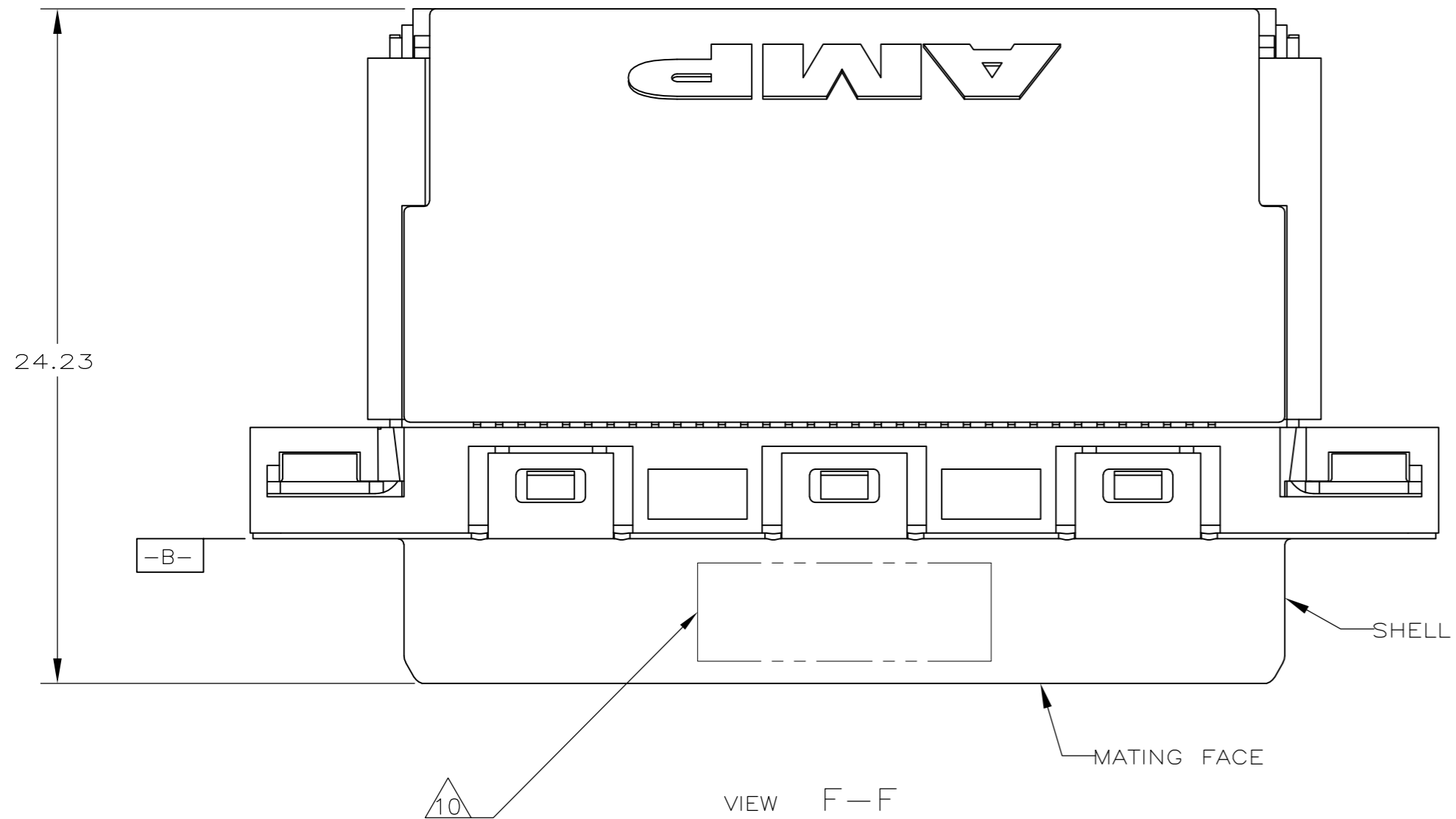


1	SUPERSEDED BY 6489232-2	3.55	8	1489232-2
		2.27		3
	S	REMARKS		PART NUMBER

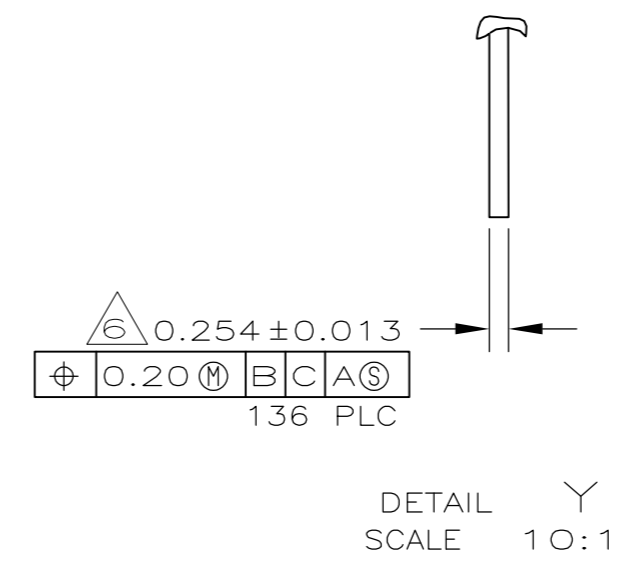
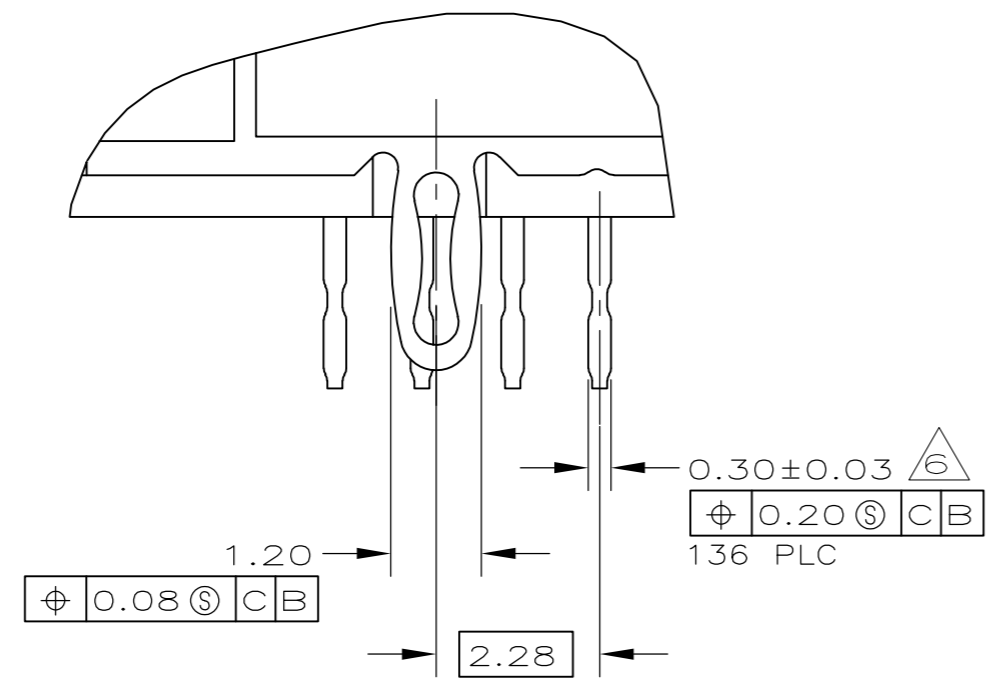
THIS DRAWING IS A CONTROLLED DOCUMENT.		DWN T.SHUEY 09MAR05	Tyco Electronics Corporation Harrisburg, PA 17105-3608	
DIMENSIONS: mm		CHK J.GERACE 09MAR05	NAME	
TOLERANCES UNLESS OTHERWISE SPECIFIED:		APVD M.WALMSLEY 09MAR05	PRODUCT SPEC	
0 PLC ± -		108-1471-1		
1 PLC ± -		APPLICATION SPEC		
2 PLC ± 0.13		114-6057		
3 PLC ± -		SIZE A2	CAGE CODE 00779	DRAWING NO C=1489232
4 PLC ± -		WEIGHT -	SCALE 5:1	SHEET 1 OF 3
ANGLES ± 1°		CUSTOMER DRAWING		
FINISH		REV P1		

THIS DRAWING IS UNPUBLISHED. RELEASED FOR PUBLICATION
 © COPYRIGHT BY TYCO ELECTRONICS CORPORATION. ALL RIGHTS RESERVED.

LOC	DIST	REVISIONS			
P	LTR	DESCRIPTION	DATE	DWN	APVD
GP	00	SEE SHEET 1	-	-	-



- 1 MOLDED PARTS: THERMOPLASTIC, BLACK, UL 94V-0 RATED.
SHELL: CARBON STEEL.
CONTACTS: PHOSPHOR BRONZE.
BRACKETS: STEEL.
- 2 SHELL: 5.08µm MIN NICKEL OVER 6.35µm MIN COPPER.
CONTACTS: 0.076µm MIN GOLD ON MATING END, 3.75µm MIN TIN-LEAD ON OPPOSITE END, BOTH OVER 1.27µm MIN NICKEL.
BRACKETS: TIN PLATED.
- 3 CONTACTS DESIGNED FOR USE ON 1.60±0.15 THICK PC BOARD WITH PLATED THRU MOUNTING HOLES.
- 4 RECEPTACLE ASSEMBLY DESIGNED FOR USE WITH 1.12±0.08 THICK PANEL.
- 5 DATUMS AND DIMENSIONS ESTABLISHED BY CUSTOMER.
- 6 POSITION TOLERANCE APPLIES AT CONTACT TIP ONLY.
- 7 OFFSET DIMENSION APPLIES TO LOWER FOOTPRINT ONLY.
- 8 CONTACTS DESIGNED FOR USE ON 2.35±0.15 THICK PC BOARD WITH PLATED THRU MOUNTING HOLES.
- 9 MAXIMUM TORQUE 0.45 N-M.
- 10 DATE CODE MARKED IN APPROXIMATE AREA SHOWN.
- 11 OBSOLETE PARTS: OBSOLETE CIS STREAMLINING PER D.RENAUD/D.SINISI



THIS DRAWING IS A CONTROLLED DOCUMENT.		DWN T.SHUEY 09MAR05	Tyco Electronics Corporation Harrisburg, PA 17105-3608	
DIMENSIONS: mm		CHK J.GERACE 09MAR05	NAME RECEPTACLE ASSEMBLY, 68 POSITION, STACKED, COVERED CONTACTS, RIGHT ANGLE, CHAMP 0.8mm	
TOLERANCES UNLESS OTHERWISE SPECIFIED: 0 PLC ± - 1 PLC ± - 2 PLC ± 0.13 3 PLC ± - 4 PLC ± - ANGLES ± 1°		APVD M.WALMSLEY 09MAR05	PRODUCT SPEC	
MATERIAL		FINISH	WEIGHT	RESTRICTED TO
-		-	-	-
CUSTOMER DRAWING		SCALE 5:1	SHEET 2 of 3	REV P1

1489232

单击下面可查看定价，库存，交付和生命周期等信息

[>>TE Connectivity\(泰科\)](#)