

4

3

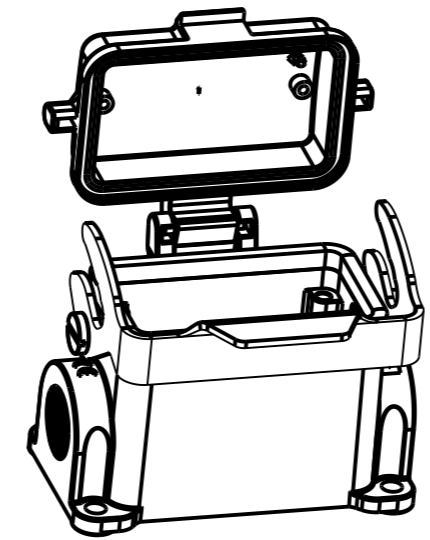
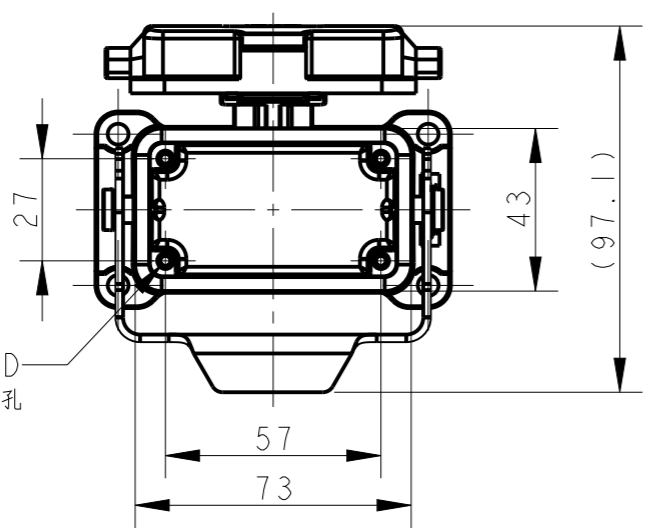
2

1

THIS DRAWING IS UNPUBLISHED. RELEASED FOR PUBLICATION 20  
© COPYRIGHT 20 BY - ALL RIGHTS RESERVED.

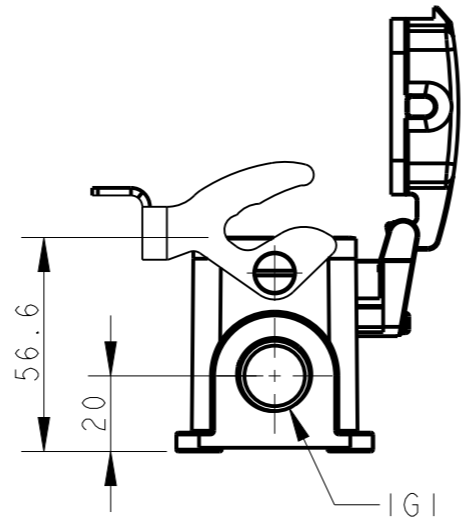
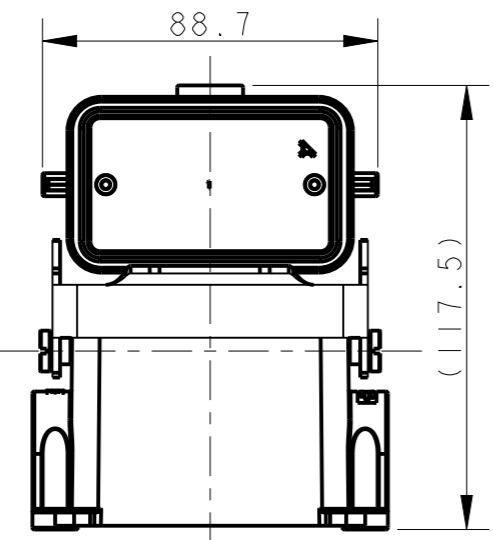
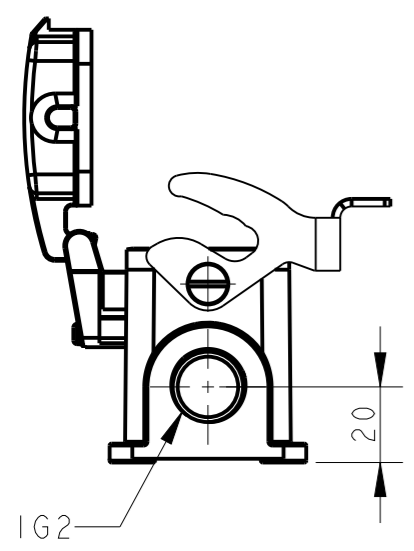
REVISIONS

P	LTR	DESCRIPTION	DATE	DWN	APVD
A		INITIAL RELEASE	25JUN2015	DL	CW
AI		ECR-18-017123	17DEC2018	KW	CW
B		ECR-20-008181	16JUL2020	WQR	CW

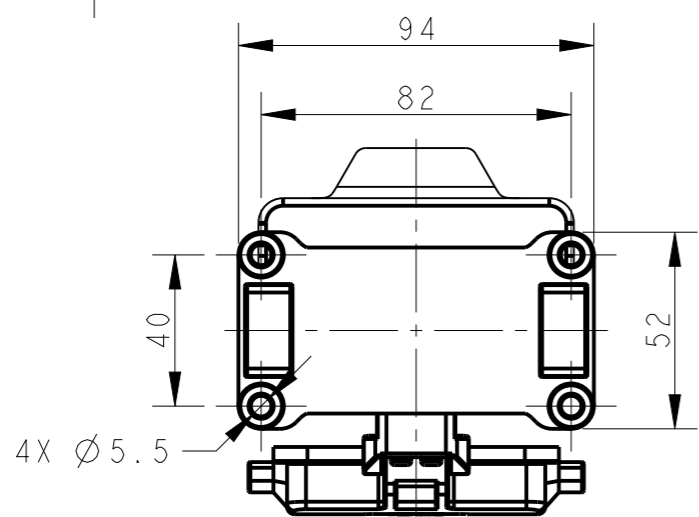


NOTES:  
1. TECHNICAL CHARACTERISTICS:  
BODY MATERIAL: DIE CAST ALUMINIUM ALLOY  
SURFACE TREATMENT: POWDER-COATED, GRAY  
DEGREE OF PROTECTION: IP65 (MATED)

注释:  
1. 技术参数:  
主体材料: 铝合金  
表面处理: 粉末喷涂, 灰色  
防护等级: IP65(配合)



PART NUMBER	料号	PART DESCRIPTION	描述	IG1 螺纹孔1	IG2 螺纹孔2	TYPE 类型
TI620103116-000	H10B-SDR-LB-PG16	H10B HOUSING,SURFACE MOUNTED,METAL SINGLE LOCKING,PG16, PLASTIC PROTECTION COVER,POWDER COATED,GREY H10B下壳,表面安装,彩锌单扣,PG16,带塑料保护盖,灰色粉末喷涂		PG16	-	
TI620103120-000	H10B-SDR-LB-M20	H10B HOUSING,SURFACE MOUNTED,METAL SINGLE LOCKING,M20, PLASTIC PROTECTION COVER,POWDER COATED,GREY H10B下壳,表面安装,彩锌单扣,M20,带塑料保护盖,灰色粉末喷涂		M20	-	
TI620103121-000	H10B-SDR-LB-PG21	H10B HOUSING,SURFACE MOUNTED,METAL SINGLE LOCKING,PG21, PLASTIC PROTECTION COVER,POWDER COATED,GREY H10B下壳,表面安装,彩锌单扣,PG21,带塑料保护盖,灰色粉末喷涂		PG21	-	
TI620103125-000	H10B-SDR-LB-M25	H10B HOUSING,SURFACE MOUNTED,METAL SINGLE LOCKING,M25, PLASTIC PROTECTION COVER,POWDER COATED,GREY H10B下壳,表面安装,彩锌单扣,M25,带塑料保护盖,灰色粉末喷涂		M25	-	TYPE I
TI620103216-000	H10B-SDR-LB-2PG16	H10B HOUSING,SURFACE MOUNTED,METAL SINGLE LOCKING,2PG16, PLASTIC PROTECTION COVER,POWDER COATED,GREY H10B下壳,表面安装,彩锌单扣,2PG16,带塑料保护盖,灰色粉末喷涂		PG16	PG16	
TI620103220-000	H10B-SDR-LB-2M20	H10B HOUSING,SURFACE MOUNTED,METAL SINGLE LOCKING,2M20, PLASTIC PROTECTION COVER,POWDER COATED,GREY H10B下壳,表面安装,彩锌单扣,2M20,带塑料保护盖,灰色粉末喷涂		M20	M20	
TI620103225-000	H10B-SDR-LB-2M25	H10B HOUSING,SURFACE MOUNTED,METAL SINGLE LOCKING,2M25, PLASTIC PROTECTION COVER,POWDER COATED,GREY H10B下壳,表面安装,彩锌单扣,2M25,带塑料保护盖,灰色粉末喷涂		M25	M25	



TYPE I: H10B HOUSING,SURFACE MOUNTED,METAL SINGLE LOCKING, PLASTIC PROTECTION COVER,POWDER COATED,GREY  
类型I 10B下壳,表面安装,彩锌单扣,带塑料保护盖,灰色粉末喷涂

THIS DRAWING IS A CONTROLLED DOCUMENT.

DWN 25JUN2015 DAVID LI  
CHK 25JUN2015 CHRIS WANG  
APVD 25JUN2015 XU XIANG

NAME: H10B-SDR-LB-PG/M

PRODUCT SPEC: 108-137013  
APPLICATION SPEC: 114-137013

WEIGHT: -

CUSTOMER DRAWING

SCALE: 1:2

SHEET 1 OF 2

REV B

RESTRICTED TO

TE Connectivity

4

3

2

1

THIS DRAWING IS UNPUBLISHED.

RELEASED FOR PUBLICATION

20

© COPYRIGHT 20 BY -

ALL RIGHTS RESERVED.

REVISIONS

P	LTR	DESCRIPTION	DATE	DWN	APVD
-		SEE SHEET 1	-	-	-

(96.5)

NOTES:  
SEE SHEET 1  
注释:  
见第1页.

92.6


(114.9)

IG1

IG2

TI620103416-000	H10B-SDRM-LB-PG16	H10B HOUSING,SURFACE MOUNTED,METAL SINGLE LOCKING,PG16, METAL PROTECTION COVER,POWDER COATED,GREY H10B下壳,表面安装,彩锌单扣,PG16,带金属保护盖,灰色粉末喷涂	PG16	-	
TI620103420-000	H10B-SDRM-LB-M20	H10B HOUSING,SURFACE MOUNTED,METAL SINGLE LOCKING,M20, METAL PROTECTION COVER,POWDER COATED,GREY H10B下壳,表面安装,彩锌单扣,M20,带金属保护盖,灰色粉末喷涂	M20	-	
TI620103421-000	H10B-SDRM-LB-PG21	H10B HOUSING,SURFACE MOUNTED,METAL SINGLE LOCKING,PG21, METAL PROTECTION COVER,POWDER COATED,GREY H10B下壳,表面安装,彩锌单扣,PG21,带金属保护盖,灰色粉末喷涂	PG21	-	
TI620103425-000	H10B-SDRM-LB-M25	H10B HOUSING,SURFACE MOUNTED,METAL SINGLE LOCKING,M25, METAL PROTECTION COVER,POWDER COATED,GREY H10B下壳,表面安装,彩锌单扣,M25,带金属保护盖,灰色粉末喷涂	M25	-	TYPE 2
TI620103316-000	H10B-SDRM-LB-2PG16	H10B HOUSING,SURFACE MOUNTED,METAL SINGLE LOCKING,2PG16, METAL PROTECTION COVER,POWDER COATED,GREY H10B下壳,表面安装,彩锌单扣,2PG16,带金属保护盖,灰色粉末喷涂	PG16	PG16	
TI620103320-000	H10B-SDRM-LB-2M20	H10B HOUSING,SURFACE MOUNTED,METAL SINGLE LOCKING,2M20, METAL PROTECTION COVER,POWDER COATED,GREY H10B下壳,表面安装,彩锌单扣,2M20,带金属保护盖,灰色粉末喷涂	M20	M20	
TI620103325-000	H10B-SDRM-LB-2M25	H10B HOUSING,SURFACE MOUNTED,METAL SINGLE LOCKING,2M25, METAL PROTECTION COVER,POWDER COATED,GREY H10B下壳,表面安装,彩锌单扣,2M25,带金属保护盖,灰色粉末喷涂	M25	M25	
PART NUMBER 料号	PART DESCRIPTION 描述		IG1 螺纹孔1	IG2 螺纹孔2	TYPE 类型

TYPE 2: H10B HOUSING,METAL PROTECTION COVER  
OTHER SPEC REFER TO TYPE 1  
类型2 H10B下壳,带金属保护盖,其它参考类型1

THIS DRAWING IS A CONTROLLED DOCUMENT.		DWN DAVID LI 25JUN2015	 TE Connectivity	
DIMENSIONS: mm		CHK CHRIS WANG 25JUN2015		
TOLERANCES UNLESS OTHERWISE SPECIFIED:		APVD XU XIANG 25JUN2015	NAME H10B-SDRM-LB-PG/M	
0 PLC ±-		PRODUCT SPEC 108-137013	SIZE A3	
1 PLC ±-		APPLICATION SPEC 114-137013	CAGE CODE -	
2 PLC ±-		WEIGHT -	DRAWING NO C-TI62010XXXX000	
3 PLC ±-		CUSTOMER DRAWING	RESTRICTED TO	
4 PLC ±-			SCALE 1:2	
ANGLES ±-			SHEET 2 OF 2	
FINISH -			REV B	

1470-19 (3/13)

Downloaded From [Onevac.com](http://Onevac.com)

单击下面可查看定价，库存，交付和生命周期等信息

[>>TE Connectivity\(泰科\)](#)