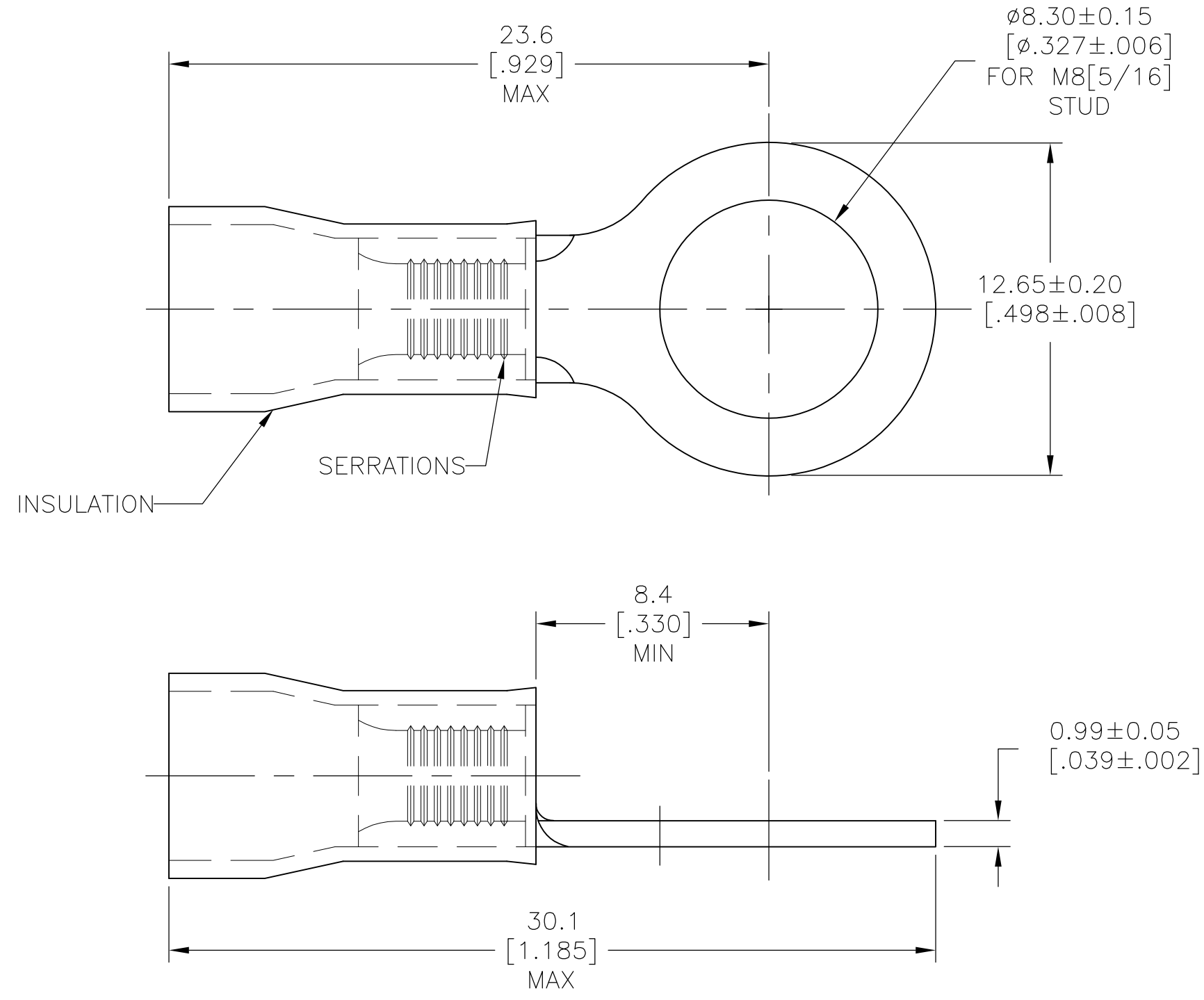


THIS DRAWING IS UNPUBLISHED. RELEASED FOR PUBLICATION
 © COPYRIGHT - By - ALL RIGHTS RESERVED.

LOC	DIST	REVISIONS					
		P	LTR	DESCRIPTION	DATE	DWN	APVD
G	02		A1	REVISED PER ECO-11-020548	06FEB12	KH	DR



- 1 COPPER PER ASTM B152
- INSULATION: PVC, YELLOW
- 2 TIN PLATE PER ASTM B545
- 3. FOR 3.80 [.150] TO 6.30 [.248] MAX INSULATION DIAMETER

OBSOLETE	-	-	2-160296-1
	500	LOOSE PIECE	160296
	QTY	PACKAGE TYPE	PART NO

THIS DRAWING IS A CONTROLLED DOCUMENT.		DWN	KIRAN HOLAL	06FEB12	STE TE Connectivity		
DIMENSIONS: mm [INCHES]		CHK	ROHDE DANIEL	06FEB12			
TOLERANCES UNLESS OTHERWISE SPECIFIED:		APVD	ROHDE DANIEL	06FEB12	NAME		
0 PLC ± -		PRODUCT SPEC			RING TONGUE ,TERMINAL PLASTI GRIP		
1 PLC ± -		APPLICATION SPEC			WIRE SIZE: 12-10 AWG		
2 PLC ± -		SIZE	A3	CAGE CODE	00779	DRAWING NO	C-160296
3 PLC ± -		WEIGHT			RESTRICTED TO		
4 PLC ± -		CUSTOMER DRAWING			SCALE 5:1		
ANGLES ± -		SHEET			1 OF 1		
FINISH		REV			A1		

单击下面可查看定价，库存，交付和生命周期等信息

[>>TE Connectivity\(泰科\)](#)