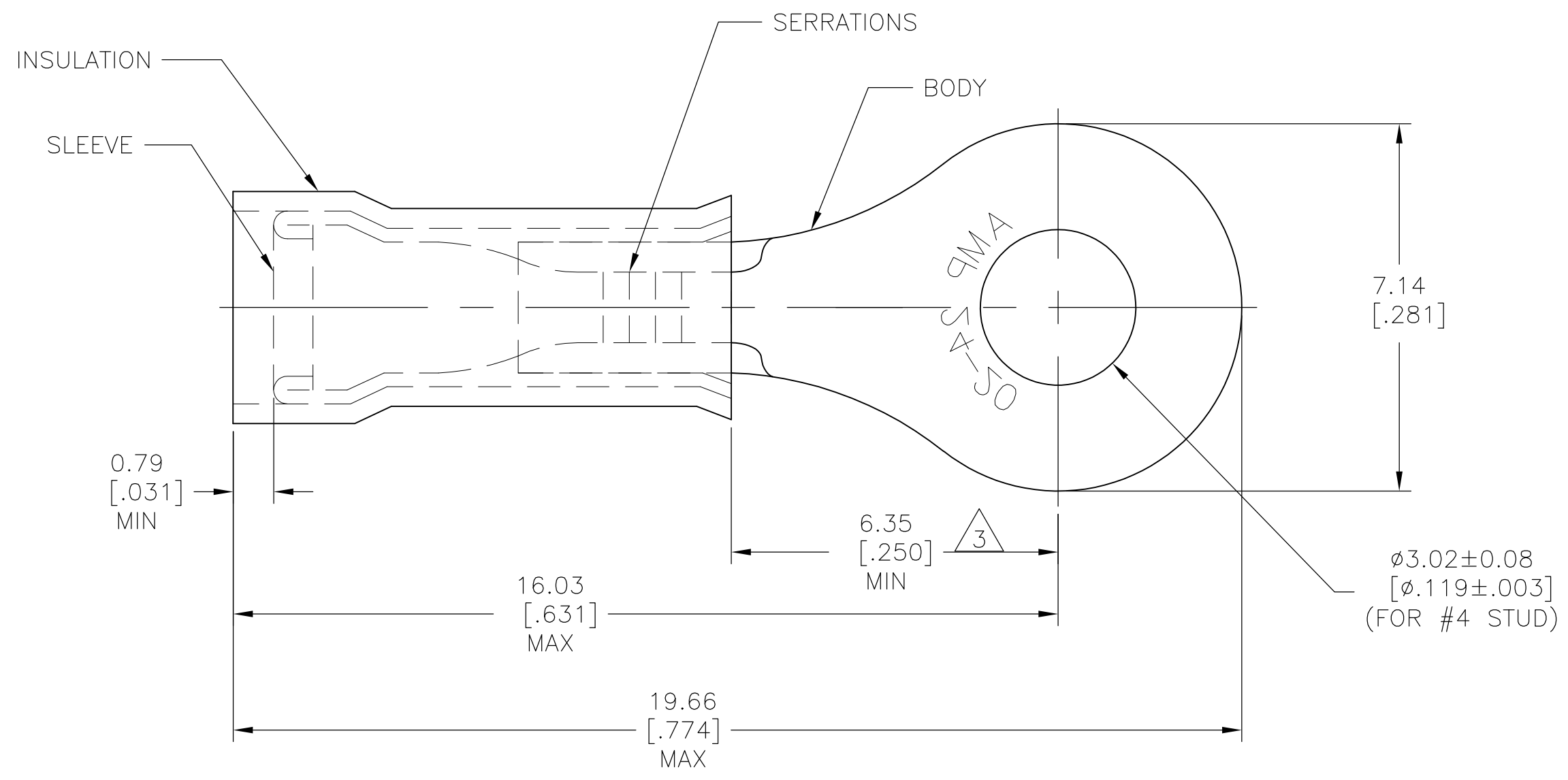


THIS DRAWING IS UNPUBLISHED. RELEASED FOR PUBLICATION
 © COPYRIGHT - By - ALL RIGHTS RESERVED.

LOC	DIST	REVISIONS					
G	14	P	LTR	DESCRIPTION	DATE	DWN	APVD
			D2	REVISED PER ECO-11-005027	12MAR11	RK	HMR



- 1 FOR 1.02[.040] TO 2.54[.100] WIRE INSULATION DIA
- 2 TONGUE MATERIAL THK 0.58±0.05[.023±.002]
- APPLIES FROM EDGE OF METAL BARREL TO CENTERLINE OF STUD HOLE.

1	323985 ON TAPE	BODY&SLEEVE: COPPER ASTM-B152 TIN PL ASTM-B545 INSULATION: NATURAL NYLON ASTM-D4066 TYPE I	2 -323985-1
1	WIRE TERMINAL		323985
QTY	DESCRIPTION	MATERIAL & FINISH	PART NO

THIS DRAWING IS A CONTROLLED DOCUMENT.		DWN RAGHAVENDRA 19MAR10	TE Connectivity			
DIMENSIONS: mm [INCHES]		CHK JEFF RUTH 19MAR10				
TOLERANCES UNLESS OTHERWISE SPECIFIED:		APVD TOM MICHIELUTTI 19MAR10	NAME			
0 PLC ± - 1 PLC ± - 2 PLC ± - 3 PLC ± 0.20 [.008] 4 PLC ± - ANGLES ± 0° 30'		PRODUCT SPEC	TERMINAL, NYLON - PIDG - RING TONGUE WIRE SIZE: 24-20			
MATERIAL SEE TABLE		APPLICATION SPEC	SIZE	CAGE CODE	DRAWING NO	RESTRICTED TO
FINISH SEE TABLE		WEIGHT -	A3	00779	C-323985	-
CUSTOMER DRAWING			SCALE 10:1	SHEET 1 OF 1	REV D2	

单击下面可查看定价，库存，交付和生命周期等信息

[>>TE Connectivity\(泰科\)](#)