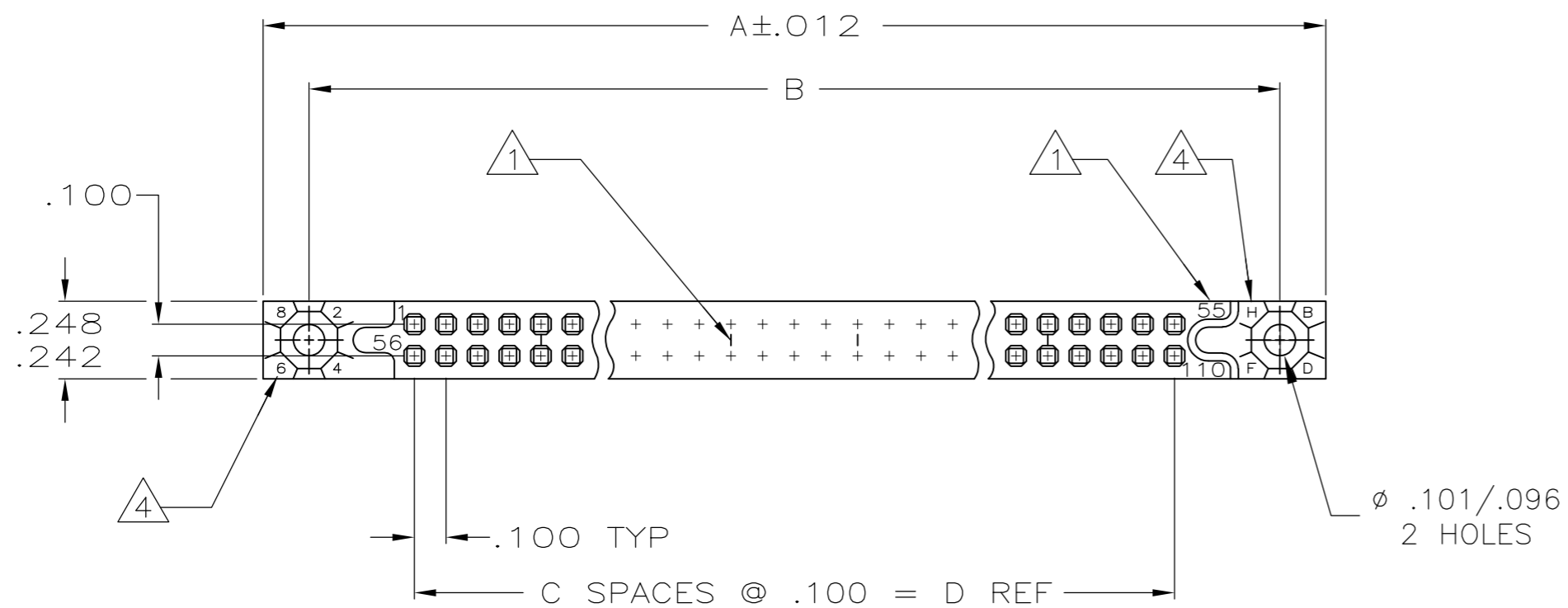
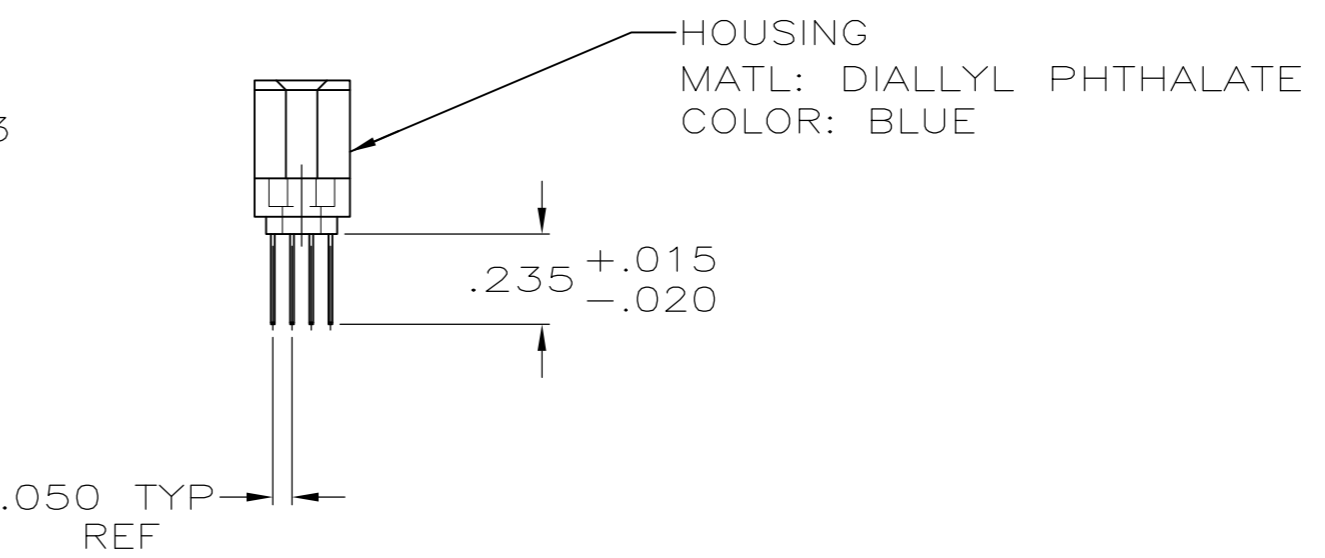
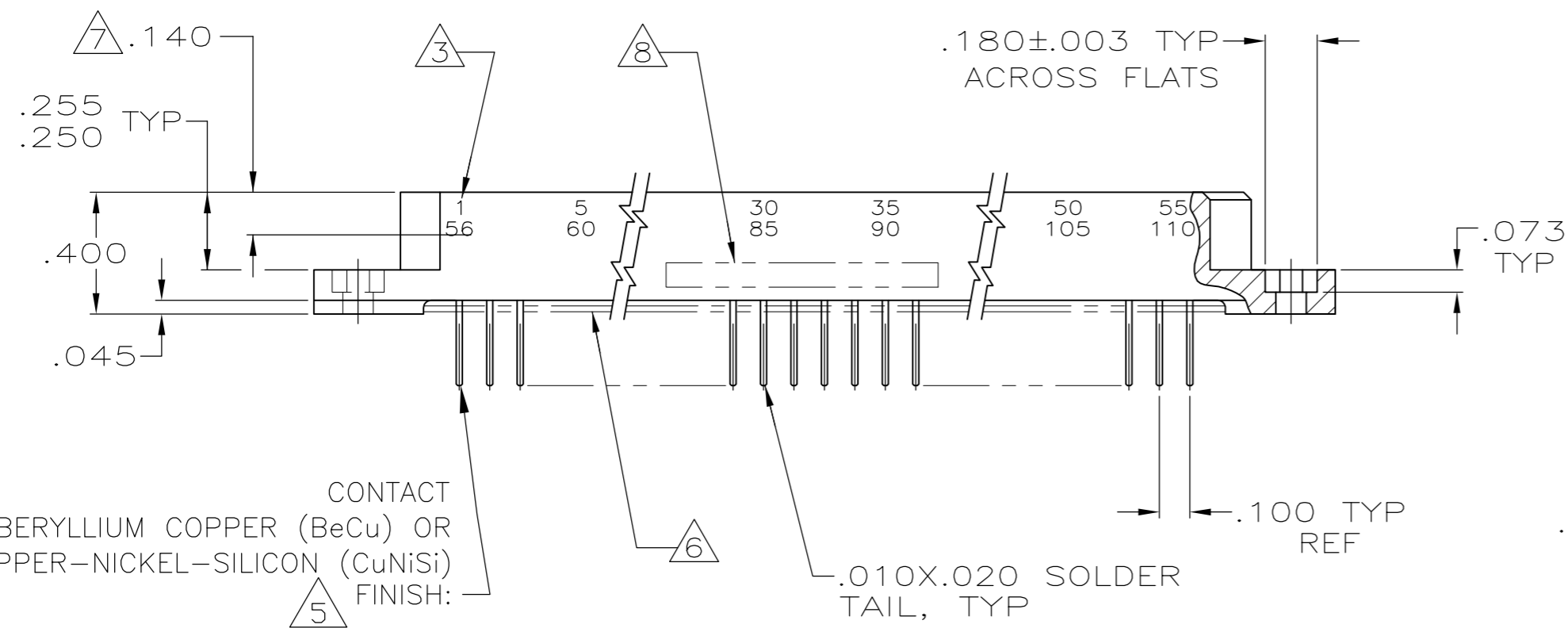


THIS DRAWING IS UNPUBLISHED. RELEASED FOR PUBLICATION
 © COPYRIGHT - By - ALL RIGHTS RESERVED.

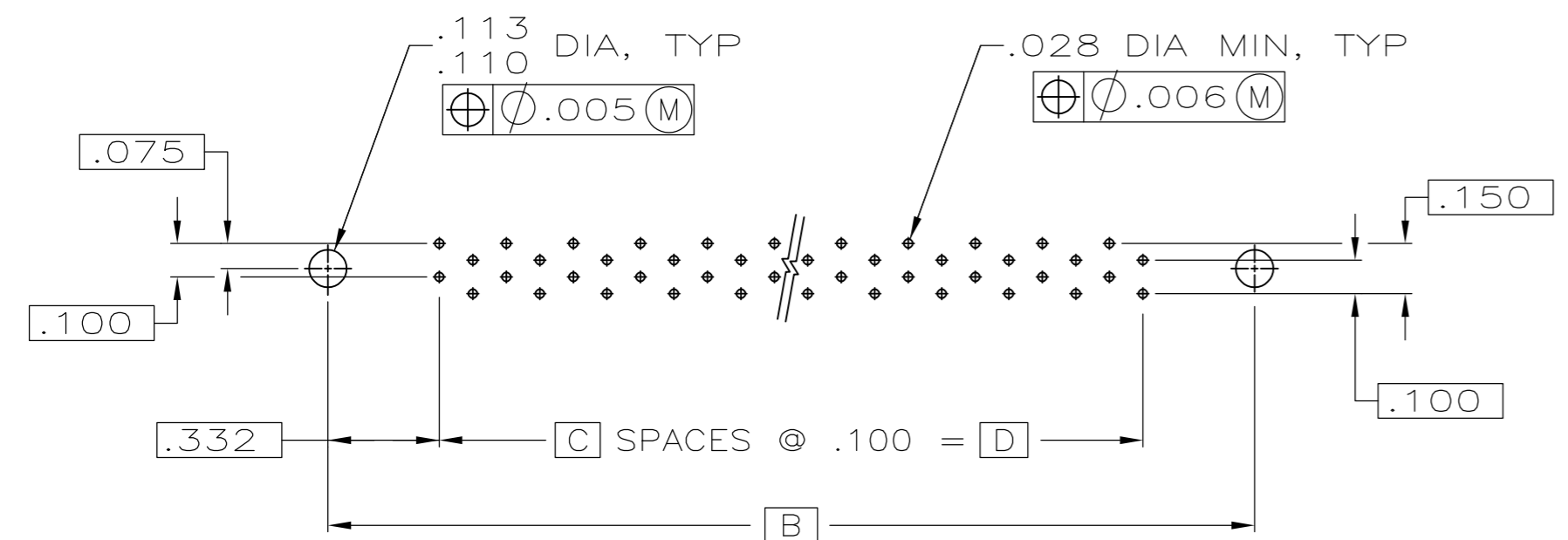
REVISIONS				
P	LTR	DESCRIPTION	DATE	APVD
F		REV PER ECO 16-018562	1-19-17	CT RL



- ① CAVITY IDENT NUMBERS (PER TABLE) AND LINES INDICATING EVERY FIVE CAVITIES MARKED ON MATING FACE (EXCLUDING END CAVITIES).
- 2. CONNECTOR MEETS ALL APPLICABLE REQUIREMENTS OF MIL-C-55302.
- ③ NUMBERS INDICATING EVERY FIVE CAVITIES MARKED ON SIDE.
- ④ KEY POSITION IDENTIFICATIONS MOLDED ON SURFACES SHOWN.
- ⑤ FINISH: PLATED GOLD .000050 THK IN CONTACT AREA WITH A POINT OF PLATING THICKNESS MEASUREMENT .135 FROM MATING END OF CONTACT, ALL OVER NICKEL .000030 THK. CONTACT LEADS DIPPED WITH 63/37 TIN-LEAD PER MIL-STD-202 METHOD 208.
- ⑥ EPOXY SEALANT ADDED TO BOTTOM OF HOUSING.
- ⑦ MAX DEPTH OF CONTACT POINT.
- ⑧ AMP, TE PART NUMBER, AND DATE CODE MARKED IN AREA SHOWN.



MAT'L: BERYLLIUM COPPER (BeCu) OR COPPER-NICKEL-SILICON (CuNiSi) FINISH: ⑤



RECOMMENDED P.C. BOARD LAYOUT (CONNECTOR SIDE)

1	70	6.900	69	7.565	7.855	140	1-534650-3
1	140	6.600	66	7.265	7.555	134	1-534650-2
68	67	6.400	64	7.065	7.355	130	1-534650-1
66	130	5.900	59	6.565	6.855	120	1-534650-0
1	60	5.400	54	6.065	6.355	110	534650-9
1	55	4.900	49	5.565	5.855	100	534650-8
51	100	4.400	44	5.065	5.355	90	534650-7
1	45	3.900	39	4.565	4.855	80	534650-6
46	90	3.400	34	4.065	4.355	70	534650-5
1	40	2.900	29	3.565	3.855	60	534650-4
41	80	2.400	24	3.065	3.355	50	534650-3
1	35	1.900	19	2.565	2.855	40	534650-2
36	70	1.400	14	2.065	2.355	30	534650-1
1	30						
1	25						
26	50						
1	20						
21	40						
1	15						
16	30						

THIS DRAWING IS A CONTROLLED DOCUMENT.		DWN 1-27-88 Brent D. Yohn			TE Connectivity		
DIMENSIONS: INCHES		CHK 1-27-88 James P. Scholz			NAME		RECEPTACLE ASSEMBLY, 1000 SERIES BOX, SEALED, POSTED CONTACTS, EXTERNAL KEYING
TOLERANCES UNLESS OTHERWISE SPECIFIED:		APVD 1-27-88 James P. Scholz	PRODUCT SPEC		RESTRICTED TO		
0 PLC ± -		APPLICATION SPEC		SIZE		CAGE CODE	
1 PLC ± -		WEIGHT 0.000000		DRAWING NO		A2 00779	
2 PLC ± -		CUSTOMER DRAWING		SCALE 2:1		SHEET 1 of 1	
3 PLC ± .005		SCALE		REV		F	
4 PLC ± -		SCALE		REV		F	
ANGLES ± -		SCALE		REV		F	
FINISH		SCALE		REV		F	
SEE CALLOUTS		SCALE		REV		F	
SEE CALLOUTS		SCALE		REV		F	

单击下面可查看定价，库存，交付和生命周期等信息

[>>TE Connectivity\(泰科\)](#)