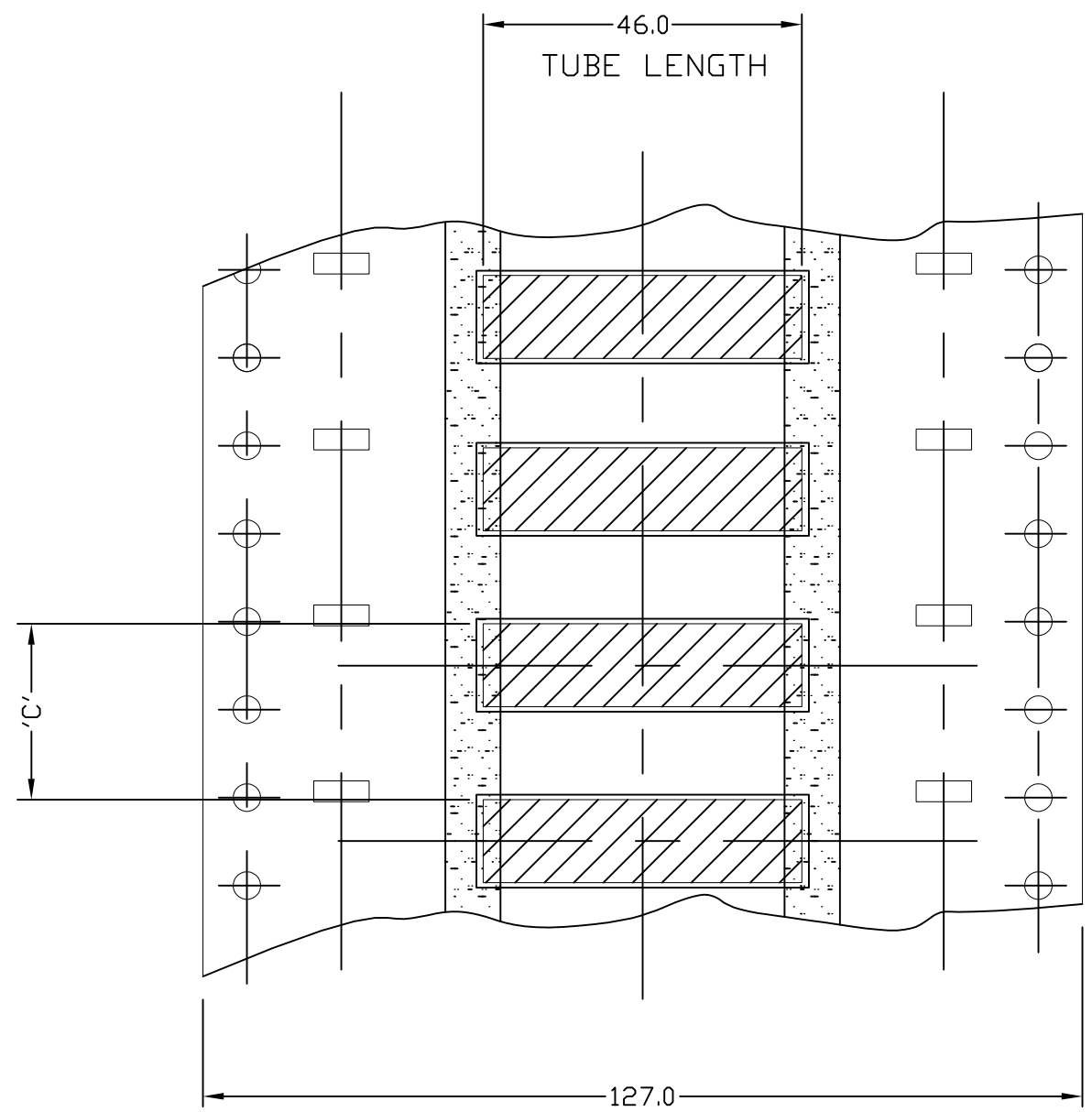


THIS DRAWING IS UNPUBLISHED. RELEASED FOR PUBLICATION  
 © COPYRIGHT - TE Connectivity, SWINDON, UK ALL RIGHTS RESERVED.

LOC	DIST	REVISIONS					
		P	LTR	DESCRIPTION	DATE	DWN	APVD
-	-	1		INITIAL DRAWING	24OCT2011	AFK	MA


### LAYING DIAGRAM



PRODUCT CODE (FIRST 5 DIGITS)	MATERIAL TUBE SPACING	
	No. TUBES AT "C" PITCH	"C" TUBE POSITION PITCH
HS024 / HC024	20	12.7
HS032 / HC030	20	12.7
HS048 / HC050	20	12.7
HS064 / HC060	10	25.4
HS095 / HC090	10	25.4
HS127 / HC120	5	50.8
HS190 / HC180	5	50.8
HS254 / HC240	5	50.8
HS381 / HC390	2	127

### NOTES:-

1. NO ACCUMULATIVE PITCH ERROR THROUGH PACK IS ACCEPTABLE
2. PACKAGING AS REQUIRED

THIS DRAWING IS A CONTROLLED DOCUMENT.		DWN AFK	24OCT2011	 TE Connectivity		
DIMENSIONS: mm		CHK -	-			
TOLERANCES UNLESS OTHERWISE SPECIFIED:		APVD -	-	PRODUCT SPEC -		
0 PLC ± - 1 PLC ± - 2 PLC ± 0.25 3 PLC ± - 4 PLC ± - ANGLES ± -		APPLICATION SPEC -		SIZE A3	CAGE CODE ----	DRAWING NO C-1900N0031
MATERIAL IRRADIATED POLYOLEFIN	FINISH -	WEIGHT -		RESTRICTED TO -		
CUSTOMER DRAWING				SCALE ---	SHEET 1 OF 1	REV 1

单击下面可查看定价，库存，交付和生命周期等信息

[>>TE Connectivity\(泰科\)](#)