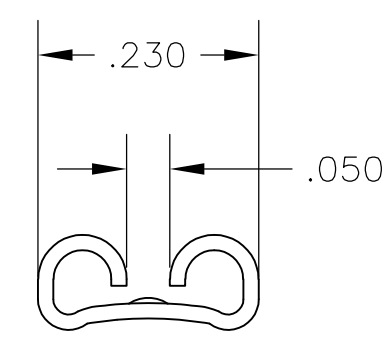
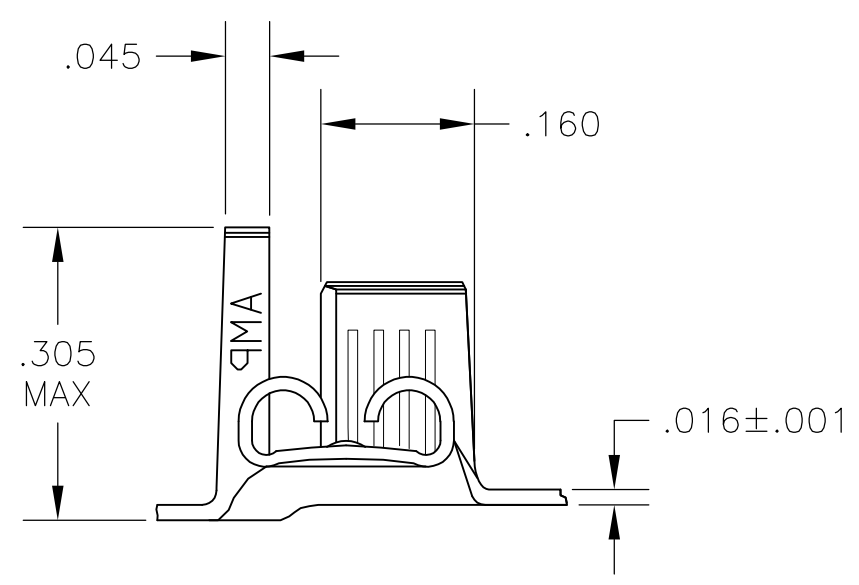
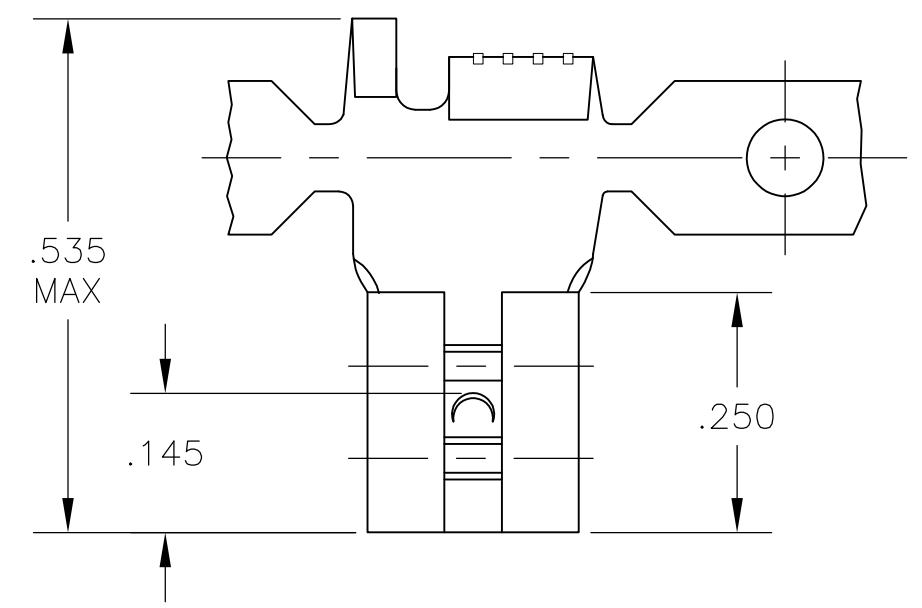


THIS DRAWING IS UNPUBLISHED. RELEASED FOR PUBLICATION
 © COPYRIGHT - By - ALL RIGHTS RESERVED.

LOC	DIST	REVISIONS			
P	LTR	DESCRIPTION	DATE	DWN	APVD
AF	50	C	REVISED PER ECR-12-013518	26NOV2012	KH PD



- 1 CONTINUOUS STRIP ON REELS
- 2 FEED IS .650±.005
- 3 ACCEPTS WIRE SIZE #18-#14 AWG
- 4 INSULATION RANGE IS .075-.155 DIA
- 5 MATING TAB THK IS .020±.001
- △6 PRELIMINARY - NO FOR PRODUCTION
- △7 PREPRODUCTION - FASR REQUIRED

TIN	△7 1742370-2
-	△6 1742370-1
FINISH	PART NO

THIS DRAWING IS A CONTROLLED DOCUMENT.		DWN	jr_ruth	13OCT05	STE TE Connectivity				
DIMENSIONS: INCHES		CHK	P_DESANTIS	13OCT05				NAME	
TOLERANCES UNLESS OTHERWISE SPECIFIED:		APVD	P_DESANTIS	13OCT05	RECEPTACLE, FASTON, .187 SERIES				
0 PLC ± - 1 PLC ± - 2 PLC ± - 3 PLC ± .010 4 PLC ± - ANGLES ± 5°		PRODUCT SPEC		SIZE			CAGE CODE	DRAWING NO	RESTRICTED TO
MATERIAL: BRASS		FINISH: SEE TABLE		WEIGHT: -		A3 00779		C-1742370	-
CUSTOMER DRAWING				SCALE	5:1	SHEET	1 OF 1	REV	C

单击下面可查看定价，库存，交付和生命周期等信息

[>>TE Connectivity\(泰科\)](#)