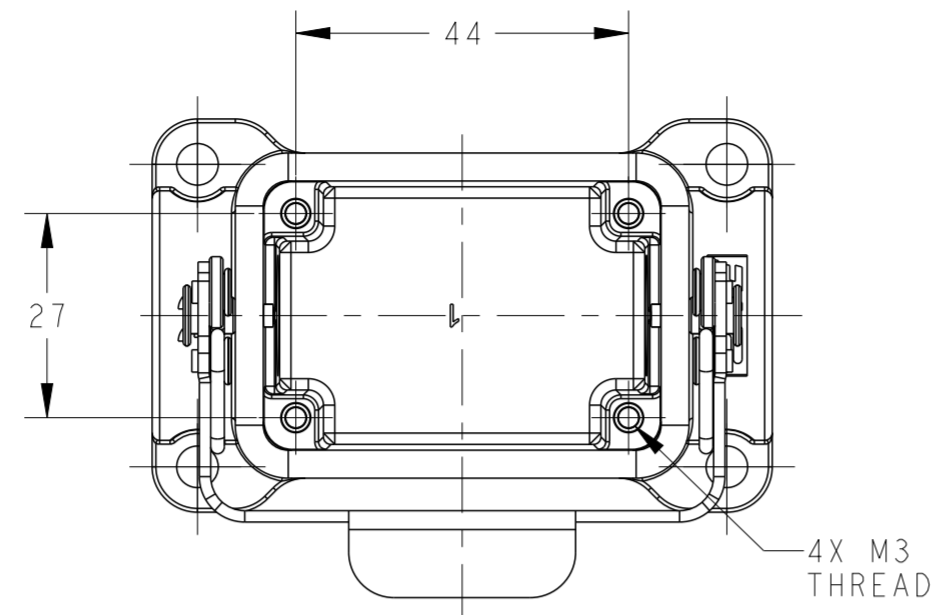


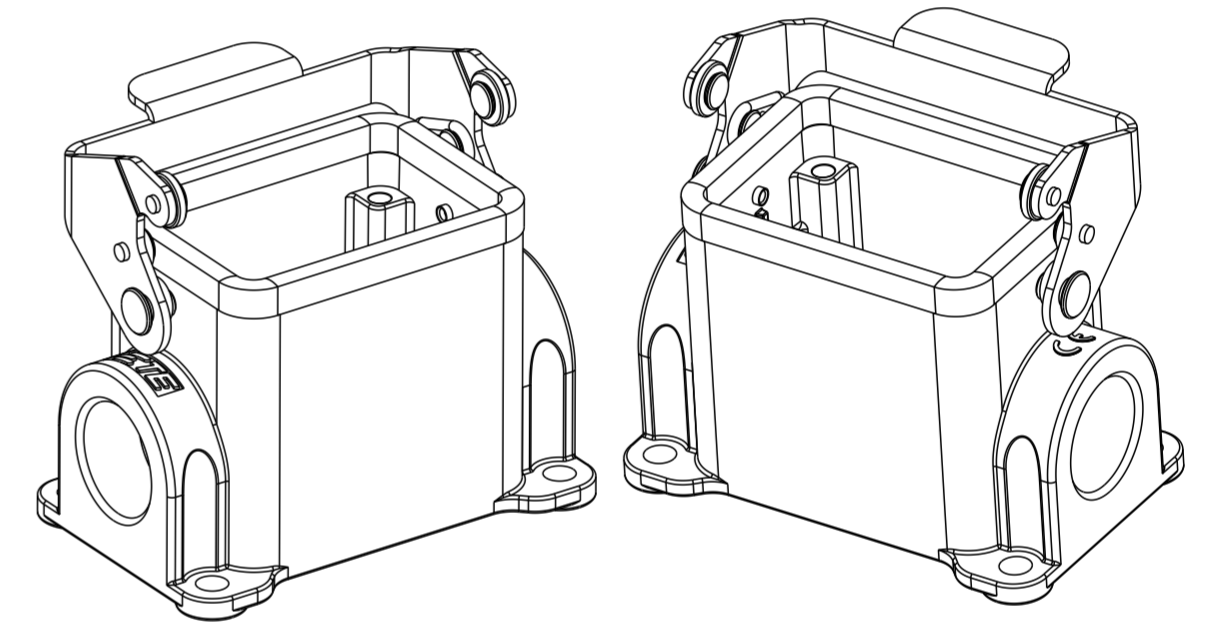
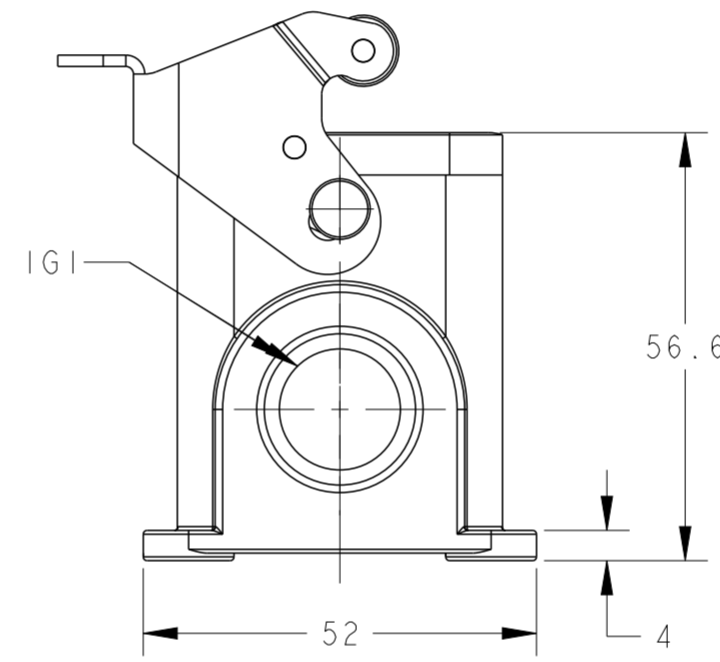
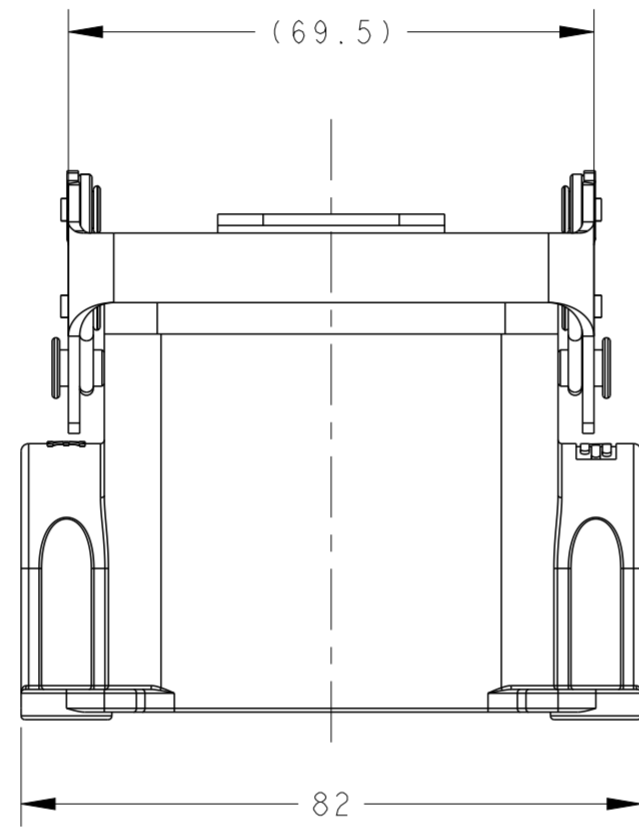
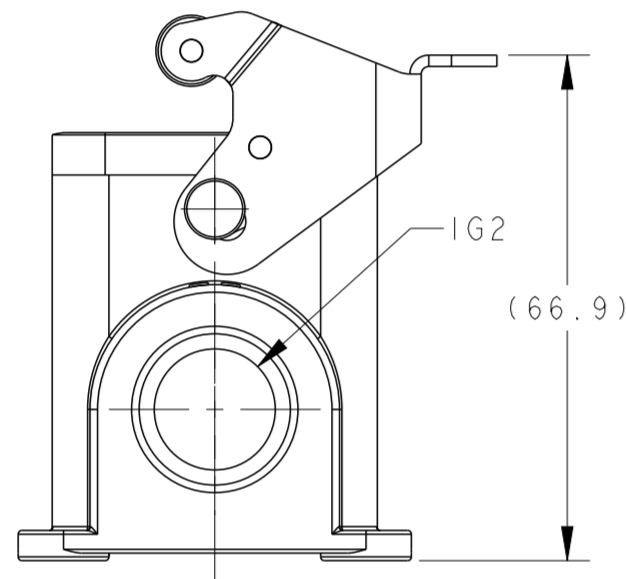
THIS DRAWING IS UNPUBLISHED. RELEASED FOR PUBLICATION 20
 © COPYRIGHT 20 BY - ALL RIGHTS RESERVED.

REVISIONS				
P	LTR	DESCRIPTION	DATE	APVD
A		INITIAL	23JUN2015	DW CW
B		ECR-20-007968	11JUN2020	WOR CW

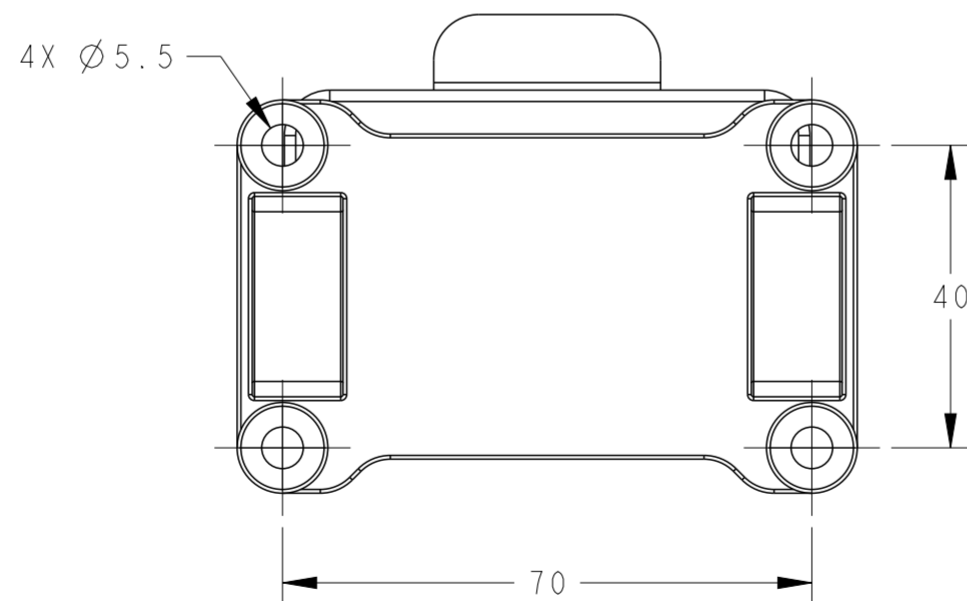


NOTES:
 1. TECHNICAL CHARACTERISTICS:
 HOUSING MATERIAL: DIE CAST ALUMINIUM ALLOY
 SURFACE: POWDER COATED, GREY
 DEGREE OF PROTECTION: IP65 (MATED)

注释:
 1. 技术参数:
 表面安装下壳材料: 铝合金
 表面处理: 粉末涂层, 灰色
 防护等级: IP65(配合)



SCALE 4:5



T1610062113-000	H6B-SGRS-PG13.5	PG13.5	-
T1610062116-000	H6B-SGRS-PG16	PG16	-
T1610062120-000	H6B-SGRS-M20	M20	-
T1610062125-000	H6B-SGRS-M25	M25	-
T1610062216-000	H6B-SGRS-2PG16	PG16	PG16
T1610062220-000	H6B-SGRS-2M20	M20	M20
T1610062225-000	H6B-SGRS-2M25	M25	M25
PART NUMBER	DESCRIPTION	IG1	IG2

DIMENSIONS:		TOLERANCES UNLESS OTHERWISE SPECIFIED:		DWN		CHK		APVD		NAME	
mm		0 PLC	±	23JUN2015		David Wang		23JUN2015		Chris Wang	
		1 PLC	±	23JUN2015		Chris Wang		23JUN2015		Xiang Xu	
		2 PLC	±							PRODUCT SPEC	
		3 PLC	±							108-137013	
		4 PLC	±							APPLICATION SPEC	
		ANGLES	±							114-137013	
		FINISH	±							WEIGHT	
			-							-	
			-							Customer Drawing	

STE TE Connectivity			
SIZE	CAGE CODE	DRAWING NO	RESTRICTED TO
A2	00779	C-T1610062XXXX00	-
SCALE	1:1	SHEET	1 OF 1
REV	B		

单击下面可查看定价，库存，交付和生命周期等信息

[>>TE Connectivity\(泰科\)](#)