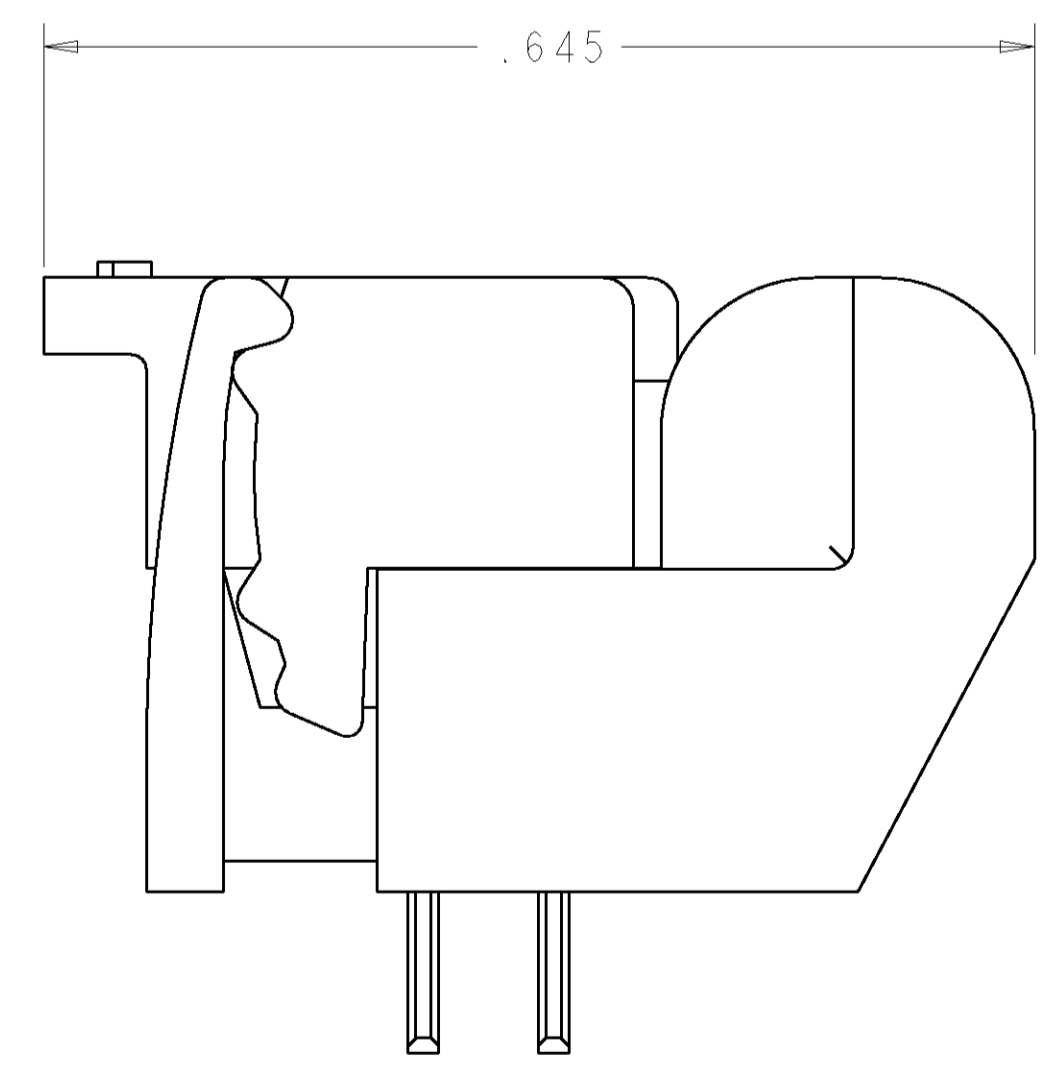
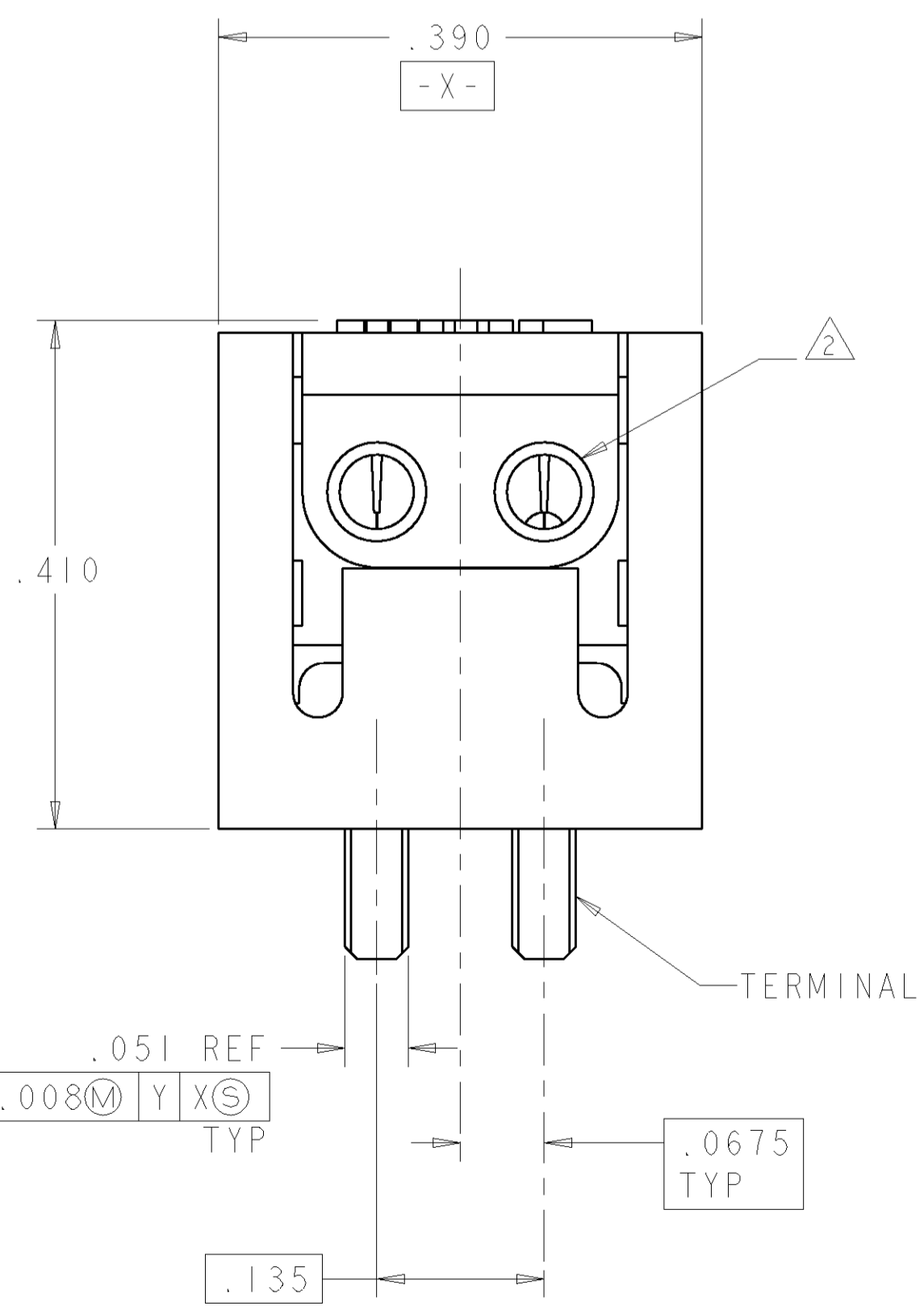
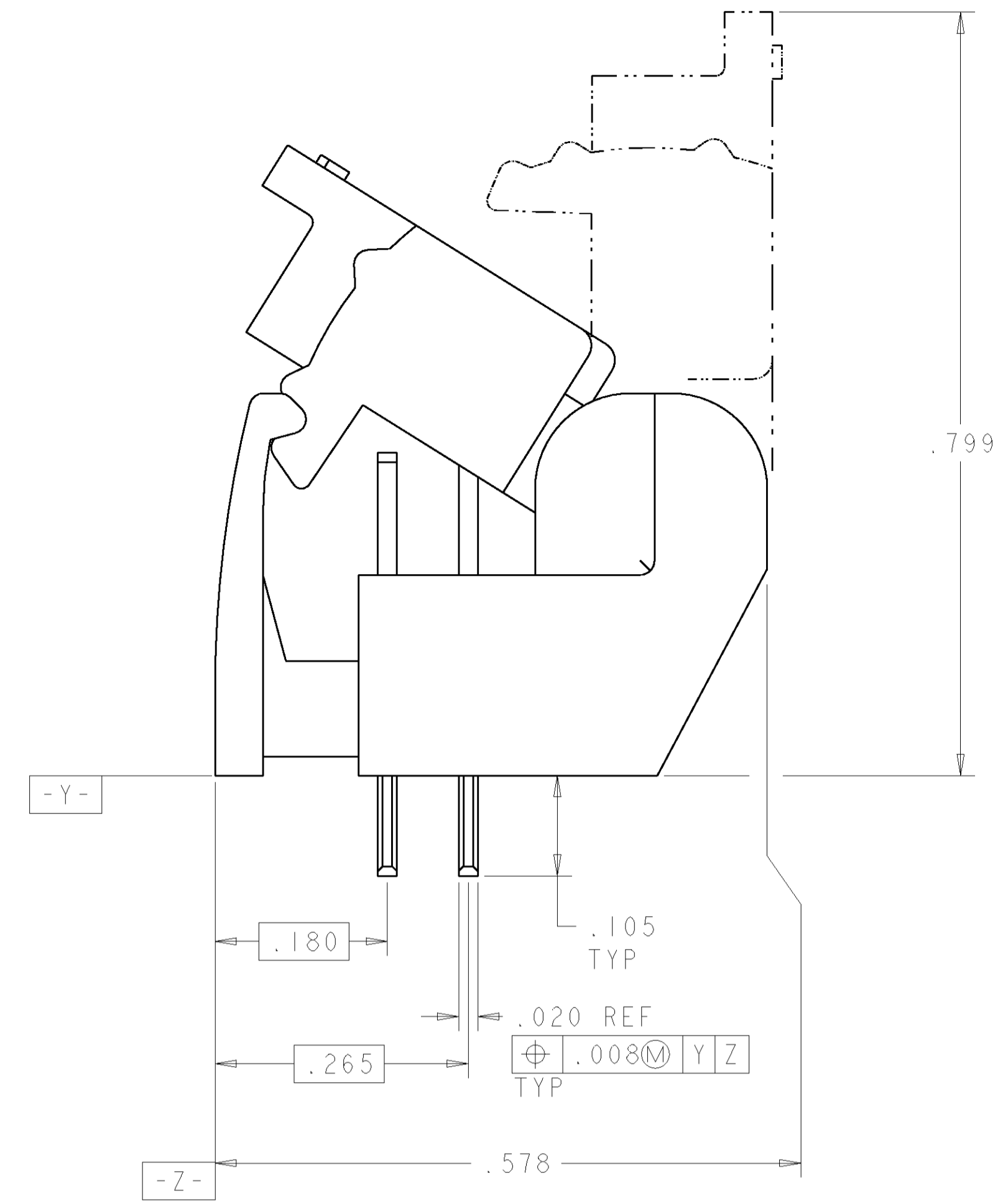
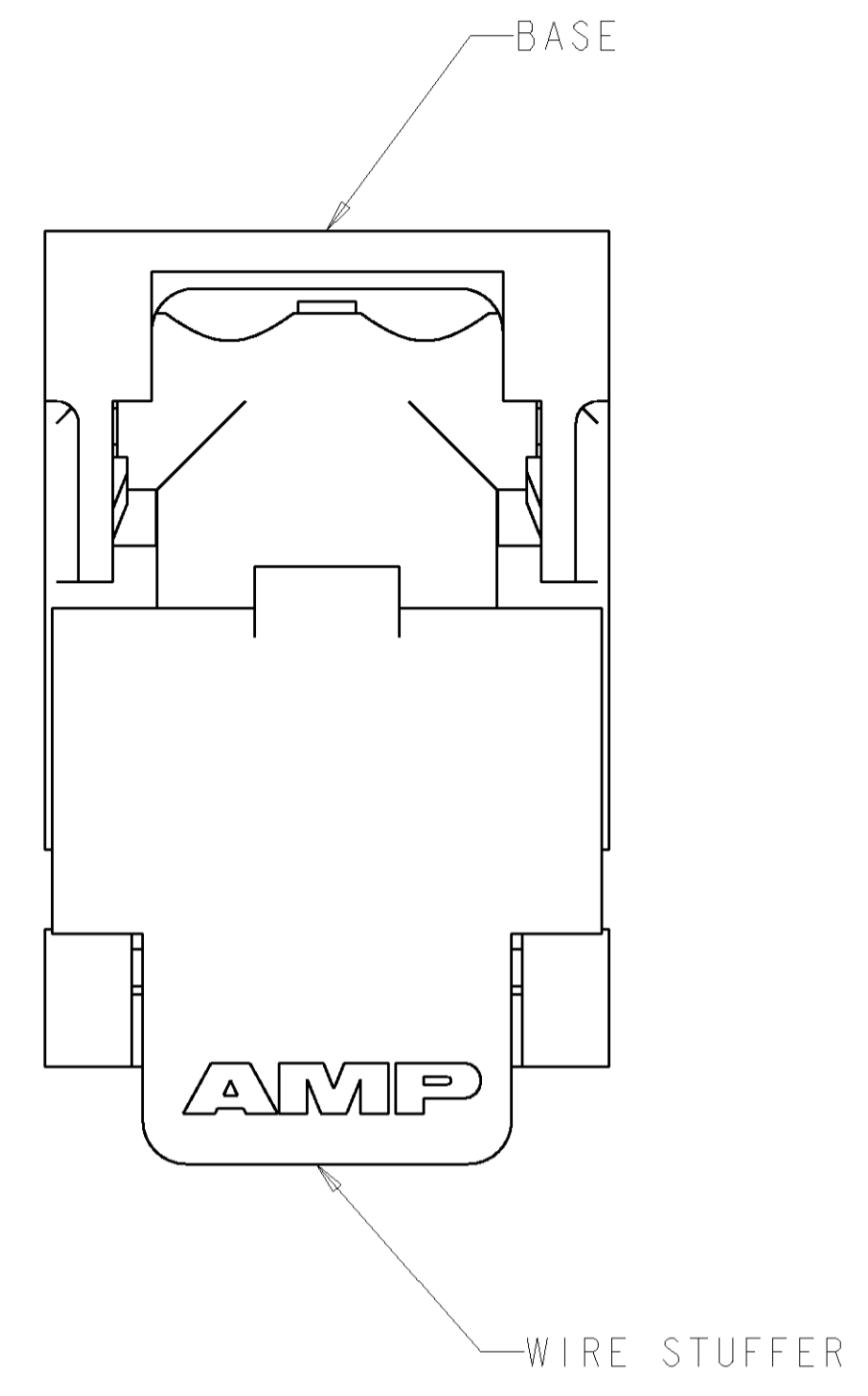
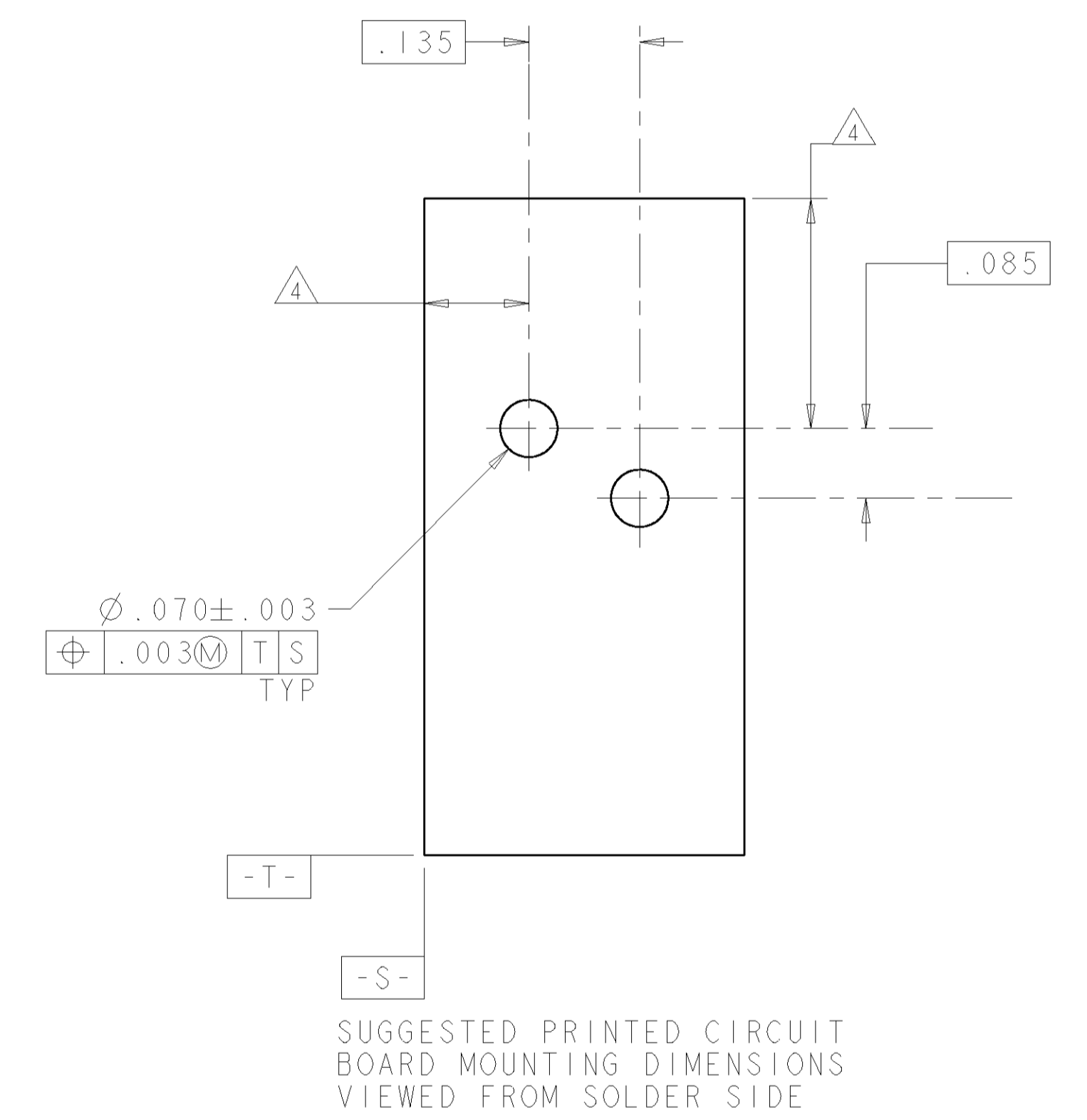


LOC	DIST	REVISIONS					
GP	0	F	LTR	DESCRIPTION	DATE	DWN	APVD
		B		REV: EC 001C-0007-01	22JAN01	JA	TW
		C		REVISED PER EC 0S15-0450-02	21JAN2003	DLD	RPM
		D		REVISED PER EC 0S15-0324-03	05DEC03	JB	CF



- △ MATERIAL: BASE - POLYESTER MOLDING COMPOUND, BLACK.
 WIRE STUFFER: - POLYESTER MOLDING COMPOUND, RED.
 TERMINAL - COPPER ALLOY, PLATED WITH 3.81µm MINIMUM THICK TIN OVER 1.27µm MINIMUM THICK NICKEL UNDERPLATE.
- △ EACH WIRE ENTRY HOLE ACCEPTS ONE UNSTRIPPED SOLID COPPER 22-26 AWG WIRE WITH WIRE INSULATION DIAMETER RANGE FROM .060 THROUGH .040. OTHER WIRE SIZES AND TYPES SHALL BE SUBMITTED TO AMP ENGINEERS FOR APPLICATION APPROVAL.
- 3. SOLDER TABS PROVIDED FOR PERMANENT BOARD MOUNTING.
- △ LOCATION OF HOLE PATTERN DETERMINED BASED ON CUSTOMER REQUIREMENTS.



1339342-1
 PART NUMBER

<small>THIS DRAWING IS UNPUBLISHED. RELEASED FOR PUBLICATION BY AMP INCORPORATED. ALL RIGHTS RESERVED.</small>		DWN	J. AHERON	05SEP00		AMP Incorporated	Harrisburg, PA 17105-3608
<small>TOLERANCES UNLESS OTHERWISE SPECIFIED:</small>		CSW	-	-		NAME	ASSEMBLY, SINGLE PAIR, DOUBLE ENTRY, PIVOT II CONNECTOR
DIMENSIONS:	INCHES	APVD	T. WOJCIACKI	05SEP00	PRODUCT SPEC	SIZE	A1
<small>0 PLC ±.01 1 PLC ±.01 2 PLC ±.01 3 PLC ±.005 4 PLC ±.01 ANGLES ±.01</small>		APPLICATION SPEC	CAGE CODE		DRAWING NO	00779	
MATERIAL	△	WEIGHT	CAGE CODE		SCALE	8:1	
FINISH		CUSTOMER DRAWING	DRAWING NO		SHEET	1 OF 1	
FINISH		CAGE CODE		REV	D		

单击下面可查看定价，库存，交付和生命周期等信息

[>>TE Connectivity\(泰科\)](#)