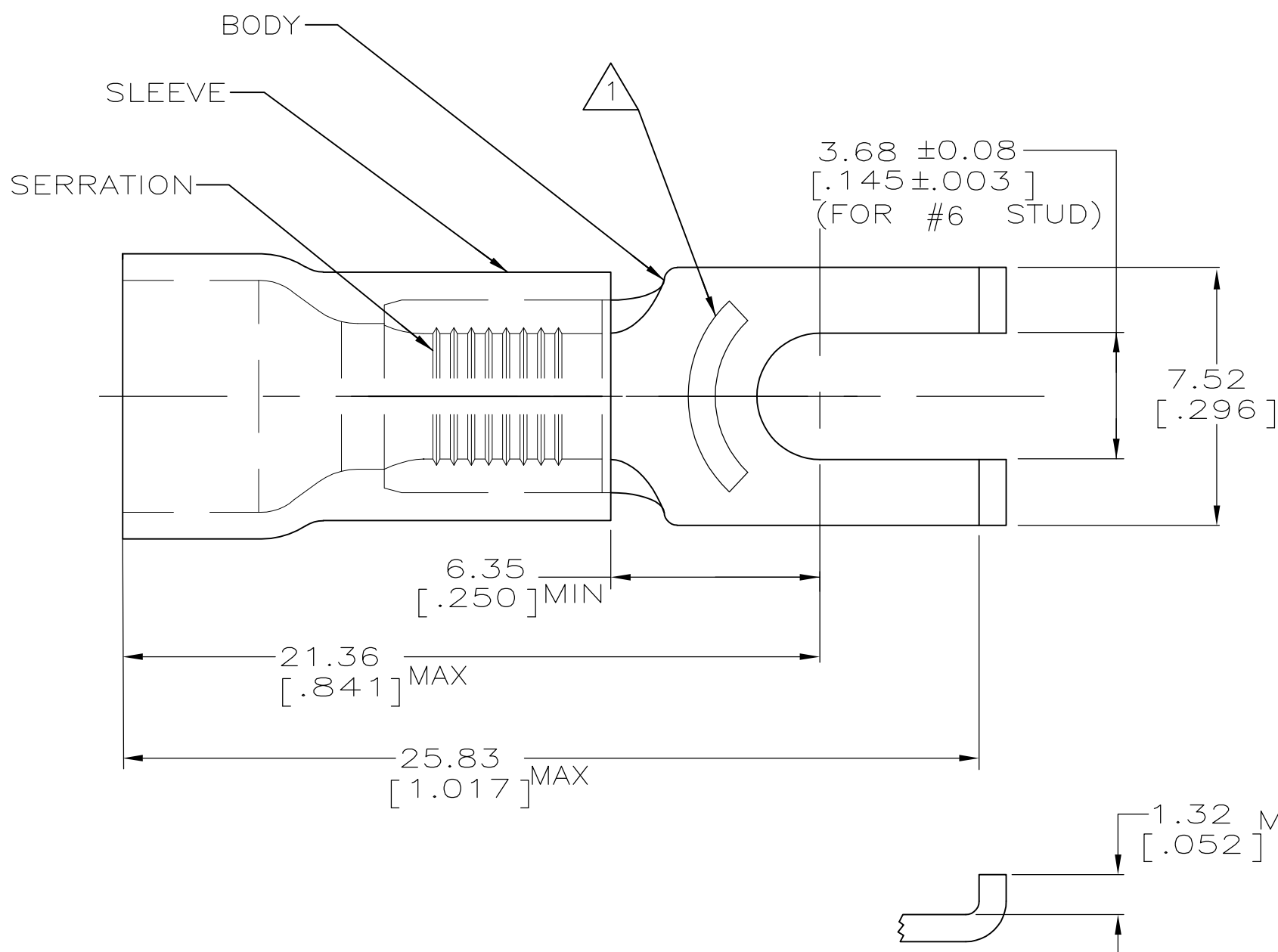


THIS DRAWING IS UNPUBLISHED. RELEASED FOR PUBLICATION
 © COPYRIGHT - By - ALL RIGHTS RESERVED.

LOC	DIST	REVISIONS					
G	14	P	LTR	DESCRIPTION	DATE	DWN	APVD
		R1		REVISED PER ECO-11-004917	11MAR11	RK	HMR



AMP WIRE RANGE	Listed FILE E13288	LR7189 Certified
12-10 AWG SOLID OR STRANDED	12-10 AWG SOLID OR STRANDED	12-10 AWG SOLID OR STRANDED

- ① STAMP AMP 12-10* APPROX AS SHOWN
- 2. WIRE INSUL DIA, 3.81-6.35 [.150-.250]
- 3. TONGUE MATL THK, 1.02±0.05 [.040±.002]
- ④ MATERIAL: BODY - CU PER ASTM B152
SLEEVE - PVC, COLOR - YELLOW

50	LOOSE PIECE, BOX	8-324581-2
2500	ON TAPE, REEL	1-324581-1
500	LOOSE PIECE	324581
QTY	PACKAGE TYPE	PART NO

AMP INCORPORATED CUSTOMER SERVICE SYSTEMS		MAX RECOMMENDED OPERATING TEMPERATURE: 105°C	THIS DRAWING IS A CONTROLLED DOCUMENT.		DWN L OLMEDA 05SEP95	TE Connectivity			
FOR ADDITIONAL PRODUCT INFORMATION OR COPIES OF DRAWINGS AND TECHNICAL DOCUMENTS	PRODUCT INFORMATION CENTER 1-800-522-6752	VOLTAGE RATING: 600V MAX (1000V FIXTURE OR SIGN)	DIMENSIONS: mm[INCHES]	TOLERANCES UNLESS OTHERWISE SPECIFIED:	CHK M ELLIS 05SEP95				NAME
FOR APPLICATION TOOLING INFORMATION	TOOLING ASSISTANCE CENTER 1-800-722-1111	CIRCULAR MIL AREA: 2.62-6.64mm² [5,180-13,100] SOLID OR STRANDED		0 PLC ± - 1 PLC ± - 2 PLC ± 0.20 [.008] 3 PLC ± - 4 PLC ± - ANGLES ± -	APVD G NGO 05SEP95	TERMINAL, SPADE, FLANGED, PLASTI-GRIP, WIRE SIZE: 12-10 AWG			
FOR ORDER ENTRY	1-800-526-5142	THIS DRAWING IS A CONTROLLED DOCUMENT FOR AMP INCORPORATED. IT IS SUBJECT TO CHANGE AND THE CONTROLLING ENGINEERING ORGANIZATION SHOULD BE CONTACTED FOR THE LATEST REVISION.	MATERIAL ④	FINISH TIN PER ASTM B545	PRODUCT SPEC UL 486A	SIZE	CAGE CODE	DRAWING NO	RESTRICTED TO
					APPLICATION SPEC -	WEIGHT -	A300779	C-324581	-
					CUSTOMER DRAWING	SCALE 6:1	SHEET 1 OF 1	REV R1	

单击下面可查看定价，库存，交付和生命周期等信息

[>>TE Connectivity\(泰科\)](#)