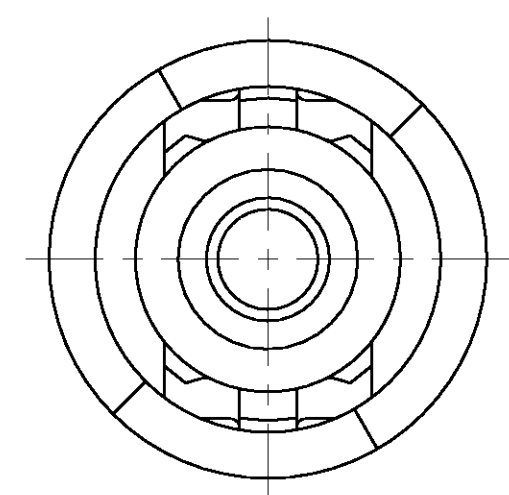
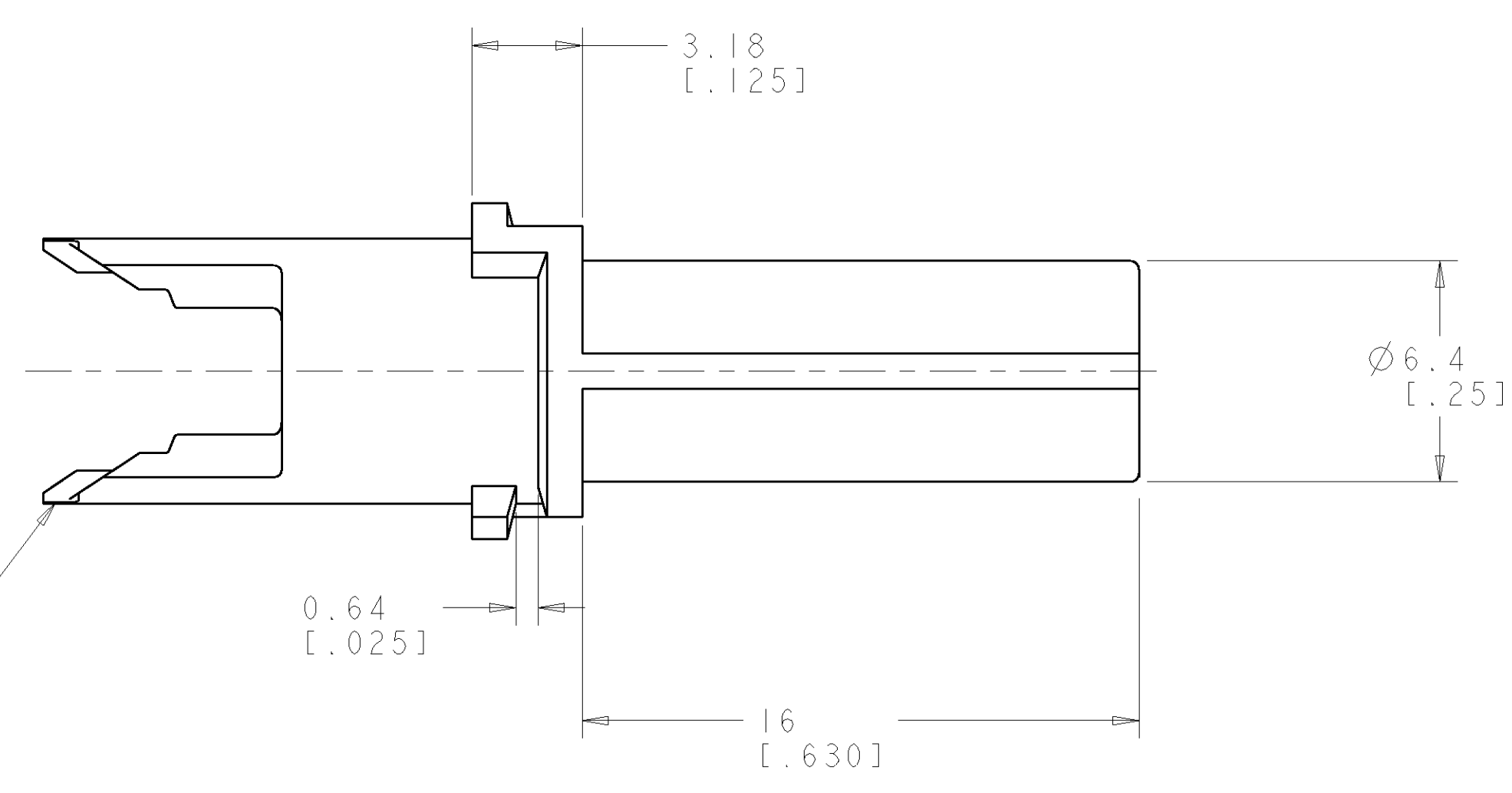


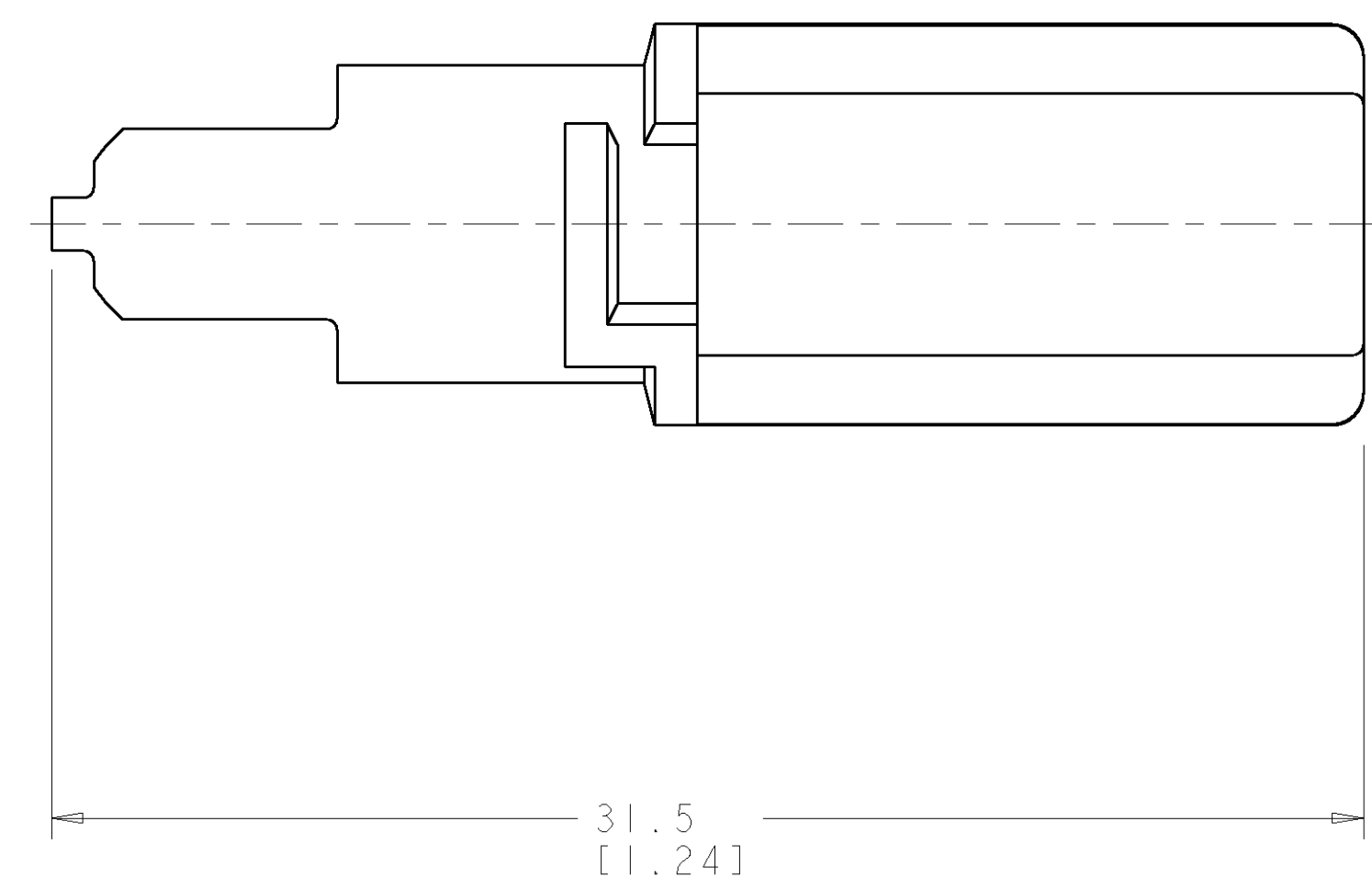
LOC		DIST		REVISIONS			
CM	00	P	LTR	DESCRIPTION	DATE	DWN	APVD
		G		REVISED PER 0638-0222-01	08MAR2002	KW	DC



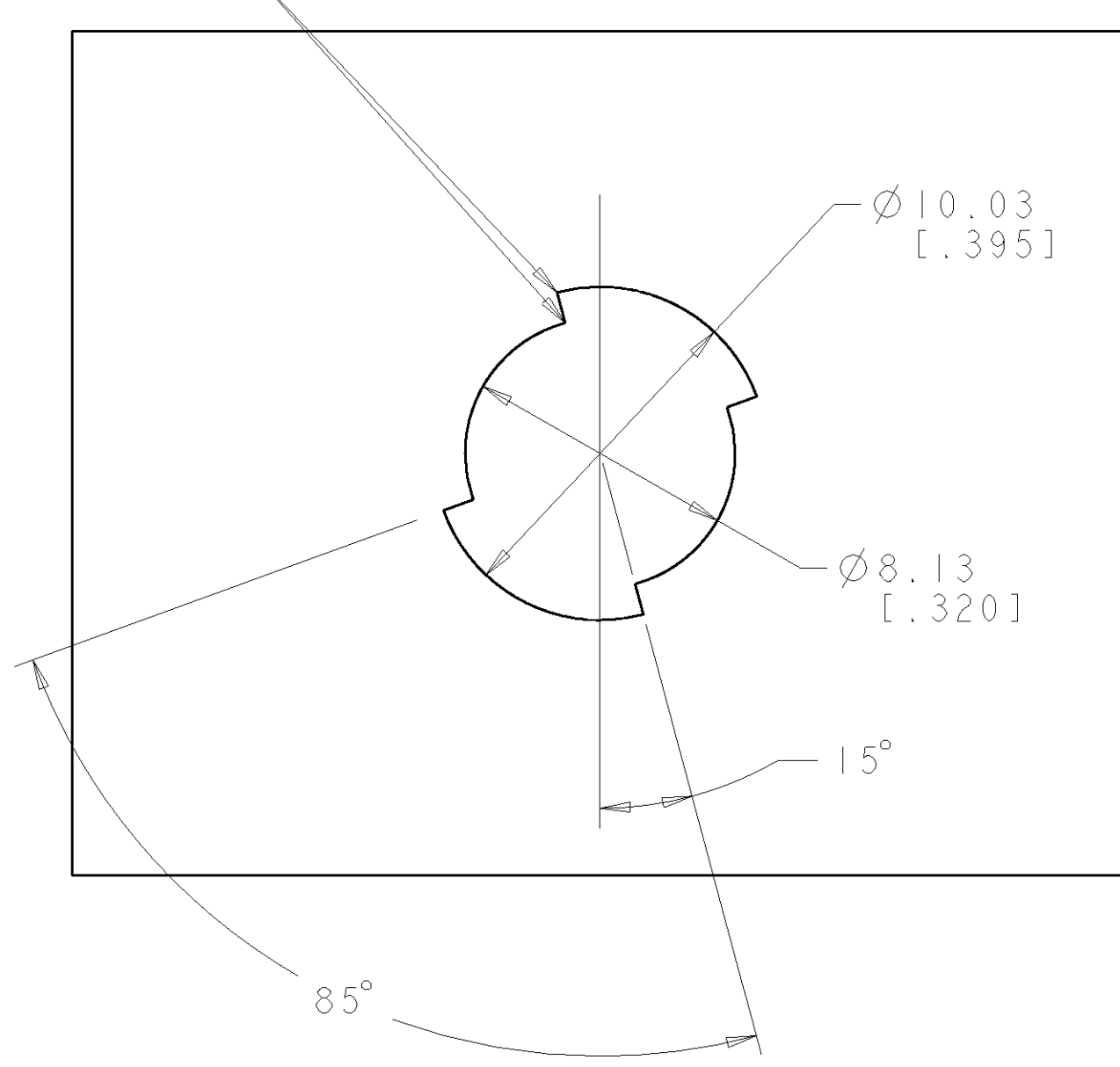
POSITIVE LOCK IDENTIFICATION



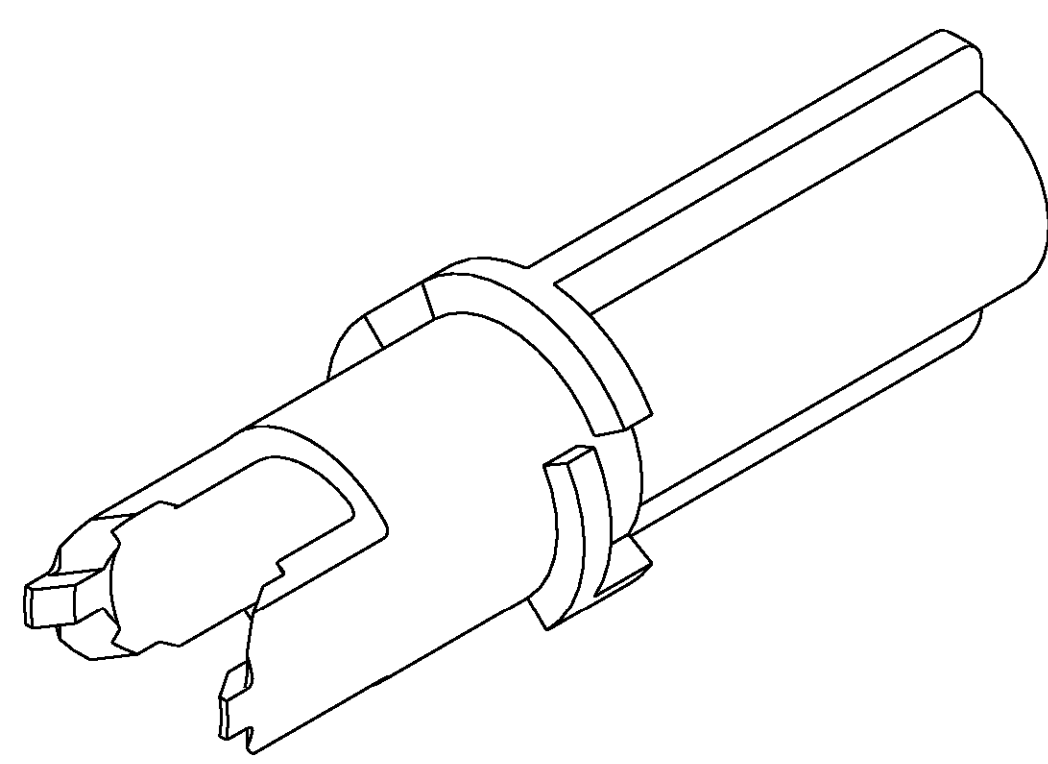
- 2. MATES WITH PLUG 480358.
- 3. 0.13 [.005] MAX FLASH PERMITTED.



R 0.51 [.020] MAX



PANEL CUT OUT  
 PANEL THICKNESS 0.76-1.02 [.030-040]  
 SCALE 5:1



SCALE 5:1

METRIC

1-480357-0  
 PART NUMBER

<small>THIS DRAWING IS UNPUBLISHED. RELEASED FOR PUBLICATION BY TYCO ELECTRONICS CORPORATION. ALL RIGHTS RESERVED.</small>		DWN: R. WHITAKER 08MAR2002 ENR: D. COLEY 08MAR2002 APVD: D. COLEY 08MAR2002	Tyco Electronics Harrisburg, PA 17105-3608
DIMENSIONS: mm [INCHES]		TOLERANCES UNLESS OTHERWISE SPECIFIED: 0 PLC ± 1 PLC ± 2 PLC ±0.13 [.005] 3 PLC ± 4 PLC ± ANGLES ±1°	NAME: SINGLE CIRCUIT MATE-N-LOK™ CAP PRODUCT SPEC: APPLICATION SPEC:
MATERIAL: NYLON NATURAL FINISH:		WEIGHT:	SIZE: A   00779 C=480357 SCALE: 6:1 SHEET 1 OF 1 REV G
CUSTOMER DRAWING		RESTRICTED TO:	

单击下面可查看定价，库存，交付和生命周期等信息

[>>TE Connectivity\(泰科\)](#)