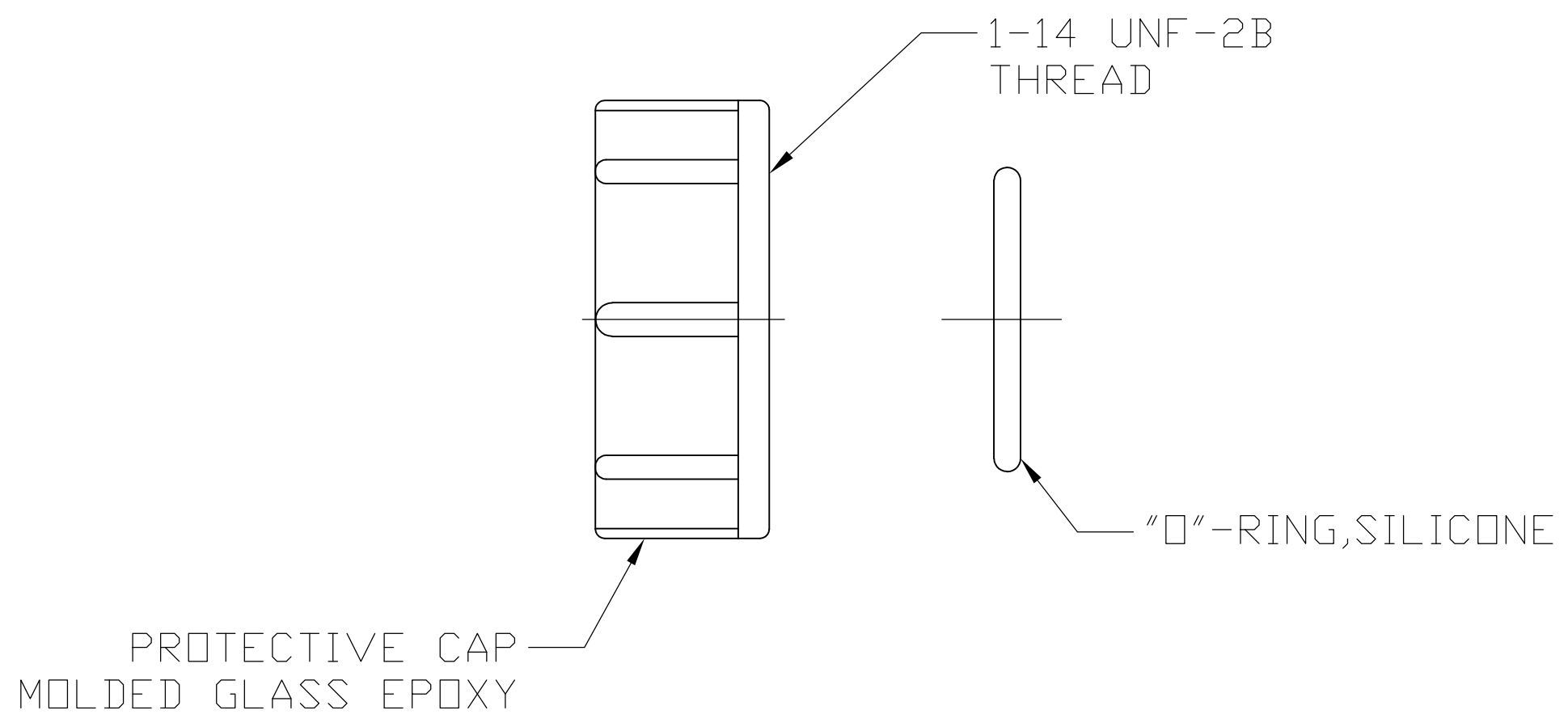

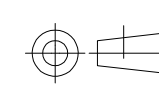


THIS DRAWING IS UNPUBLISHED. RELEASED FOR PUBLICATION
 © COPYRIGHT - By - ALL RIGHTS RESERVED.

LOC		DIST		REVISIONS			
P	LTR	DESCRIPTION		DATE	DWN	APVD	
	A	REV PER ECO 13-011485		7-25-13	CT	DE	



849254-1
 PART NUMBER

THIS DRAWING IS A CONTROLLED DOCUMENT.		DWN C.C.THOMAS 7-25-13	 TE Connectivity		
DIMENSIONS: INCHES		CHK D.EABY 7-25-13			
		APVD D.EABY 7-25-13	NAME KIT,LGH-4		
TOLERANCES UNLESS OTHERWISE SPECIFIED:		PRODUCT SPEC	-		
0 PLC ± -		APPLICATION SPEC	-		
1 PLC ± -		WEIGHT	-		
2 PLC ± -		SIZE	CAGE CODE	DRAWING NO	RESTRICTED TO
3 PLC ± -		A3 00779		C-849254	-
4 PLC ± -		CUSTOMER DRAWING			
ANGLES ± -		SCALE 2:1		SHEET 1 OF 1	REV A
MATERIAL		FINISH			
-		-			

单击下面可查看定价，库存，交付和生命周期等信息

[>>TE Connectivity\(泰科\)](#)