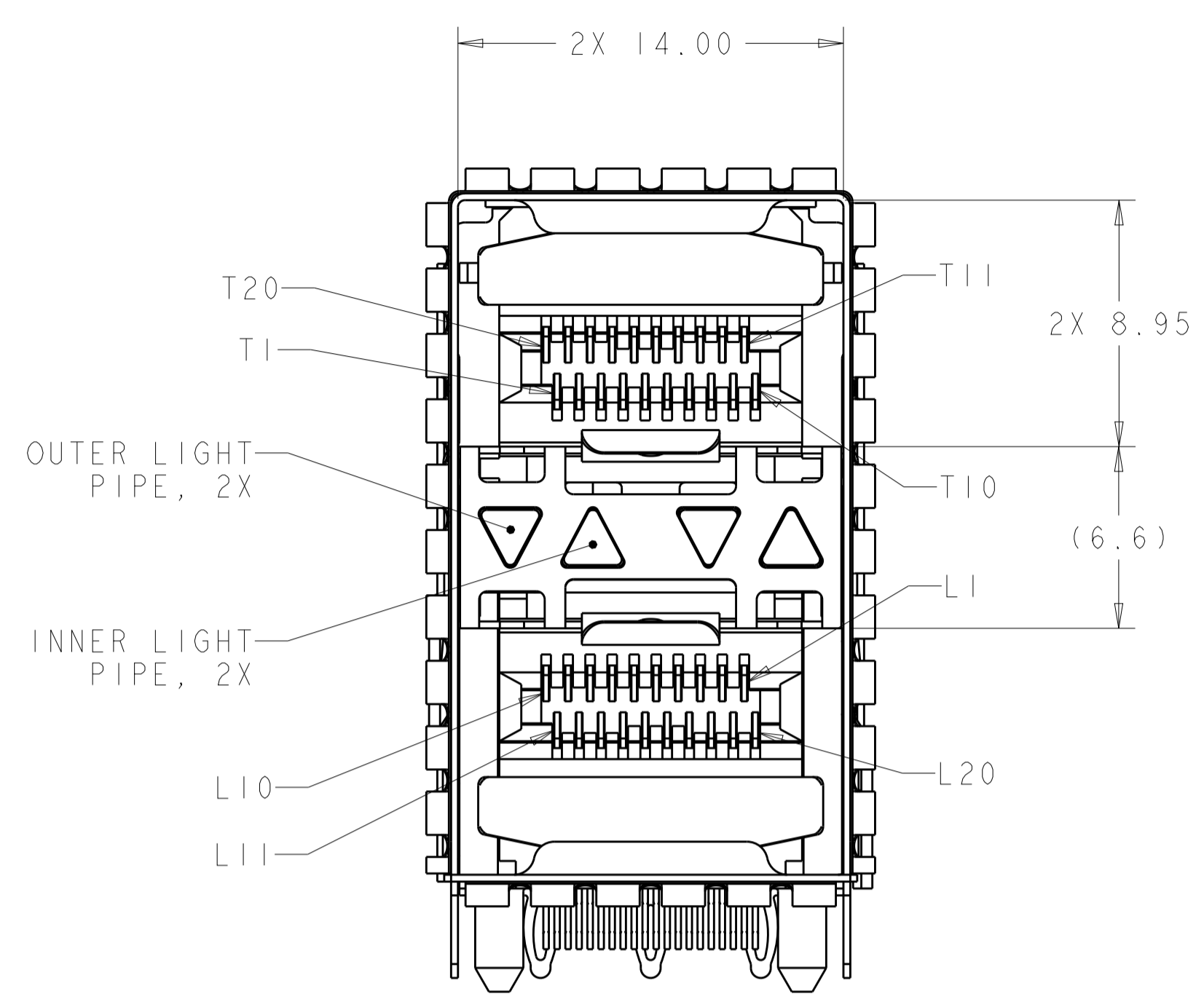
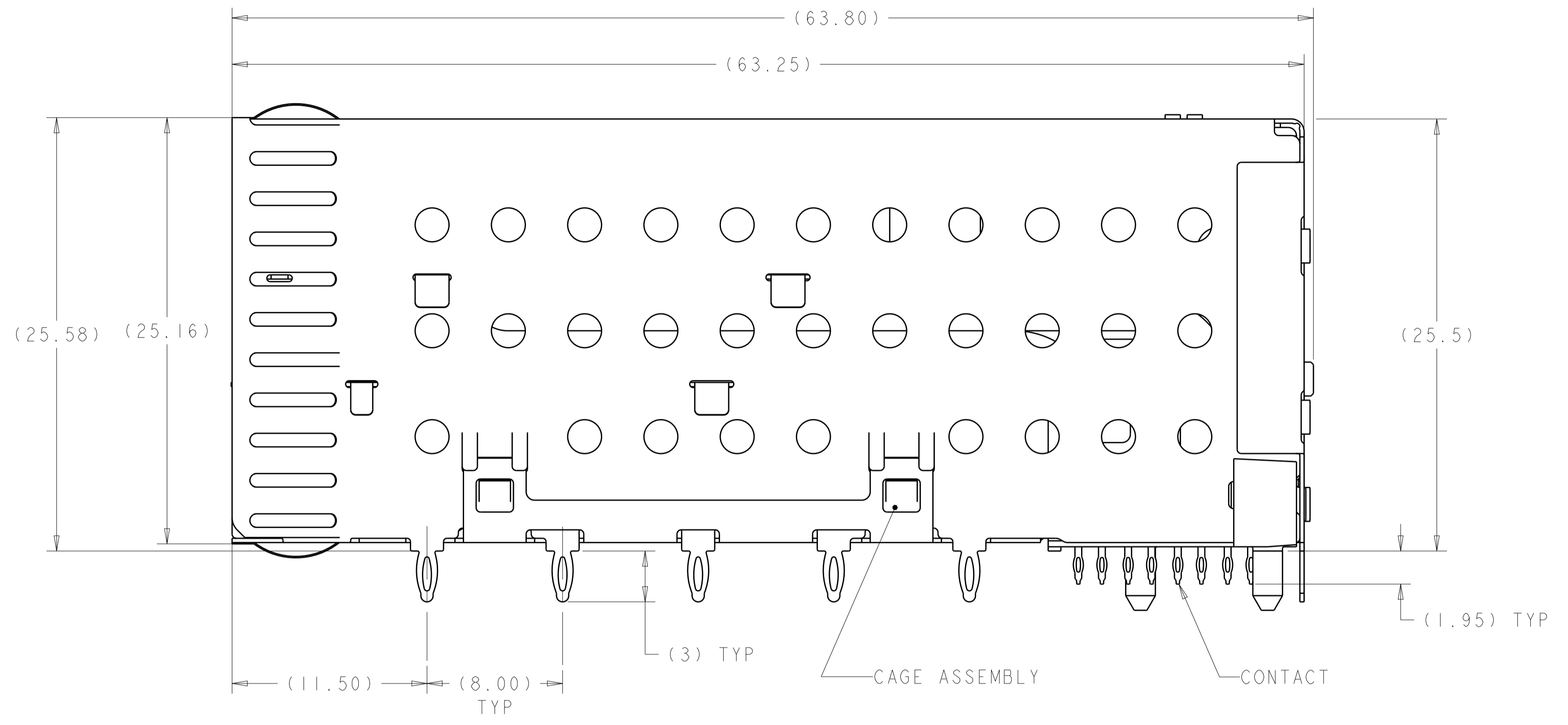


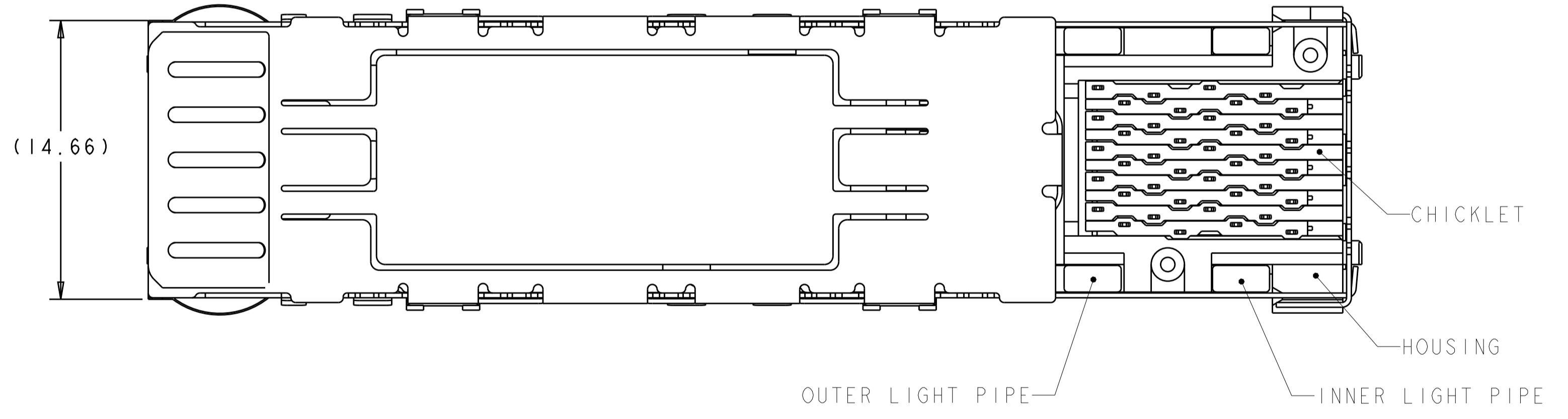
LOC	DIST	REVISIONS					
		P	LTN	DESCRIPTION	DATE	DWN	APVD
GP	00	A		PRODUCTION RELEASE	09OCT2016	JW	SH
		B		EMI SPRING TO 'U' TYPE	14JAN2020	IT	SH



2170409-5 AS SHOWN



EMI SPRING



- 1 MATERIALS:
 CAGE ASSEMBLY- NICKEL SILVER ALLOY PER ASTM B 122.
 EMI SPRING- COPPER ALLOY.
 HOUSING- BLACK LCP, UL 94V-0 RATED.
 CHICKLET- BLACK LCP, UL 94V-0 RATED.
 LIGHT PIPE- POLYCARBONATE, CLEAR, UL 94V-2 RATED.
 INSERT - (FOR LIGHT PIPE PART NUMBERS ONLY) - PBT, BLACK, UL 94V-0.
 CONTACT- COPPER ALLOY.
- 2 DATUM AND BASIC DIMENSIONS ESTABLISHED BY CUSTOMER.
- 3. MINIMUM PCB THICKNESS OF 1.5.
- 4 CONTACT FINISH- CONFORMS TO THE REQUIREMENTS OF TE CONNECTIVITY PRODUCT SPECIFICATION 108-2331, BASED ON EIA/ECA-364-1000.01A, (CONTROLLED ENVIRONMENT APPLICATIONS) ON MATING INTERFACE, TIN-LEAD ON NEEDLE EYE.
- 5 CONTACT FINISH- CONFORMS TO THE REQUIREMENTS OF TE CONNECTIVITY PRODUCT SPECIFICATION 108-2331, BASED ON EIA/ECA-364-1000.01A, (CONTROLLED ENVIRONMENT APPLICATIONS) ON MATING INTERFACE, TIN ON NEEDLE EYE.
- 6 FOR HOLE SIZE AND PLATINGS, SEE APPLICATION SPEC 114-13219.
- 7 THE ENTIRE AREA OF THE CONNECTOR FOOTPRINT, INDICATED BY THE DASHED LINE, TO BE CONSIDERED THE KEEPOUT AREA FOR COMPONENTS AND SIGNAL TRACES, TOP SIDE ONLY. TOP SIDE TRACES ALLOWED WITHIN CONNECTOR HOLE PATTERN.
- 8 LIGHT PIPE PAD LAYOUT IS FOR 0805 LOW PROFILE LED PACKAGE WITH A HEIGHT OF 0.8mm.
- 9 EMI SPRING FINISH: 1.27µm MINIMUM NICKEL PLATING, NONPLATED EDGES PERMISSIBLE.

FINISH	DESCRIPTION	PART NUMBER
5	NO LIGHT PIPES	2170409-8
	OUTER 2 LIGHT PIPES	2170409-7
	INNER 2 LIGHT PIPES	2170409-6
	4 LIGHT PIPES	2170409-5

THIS DRAWING IS A CONTROLLED DOCUMENT.

DIMENSIONS: mm

TOLERANCES UNLESS OTHERWISE SPECIFIED:

0 PLC	±0.25
1 PLC	±0.25
2 PLC	±0.25
3 PLC	±0.25
4 PLC	±0.25
ANGLES	±°
FINISH	±

MATERIAL: 1

APPROVED: TIM XUE 02NOV2012, ALEX CAI 02NOV2012

PRODUCT SPEC: 108-2331, APPLICATION SPEC: 114-13219

WEIGHT: -

CUSTOMER DRAWING

SCALE: 5:1

SHEET 1 OF 5

REV B

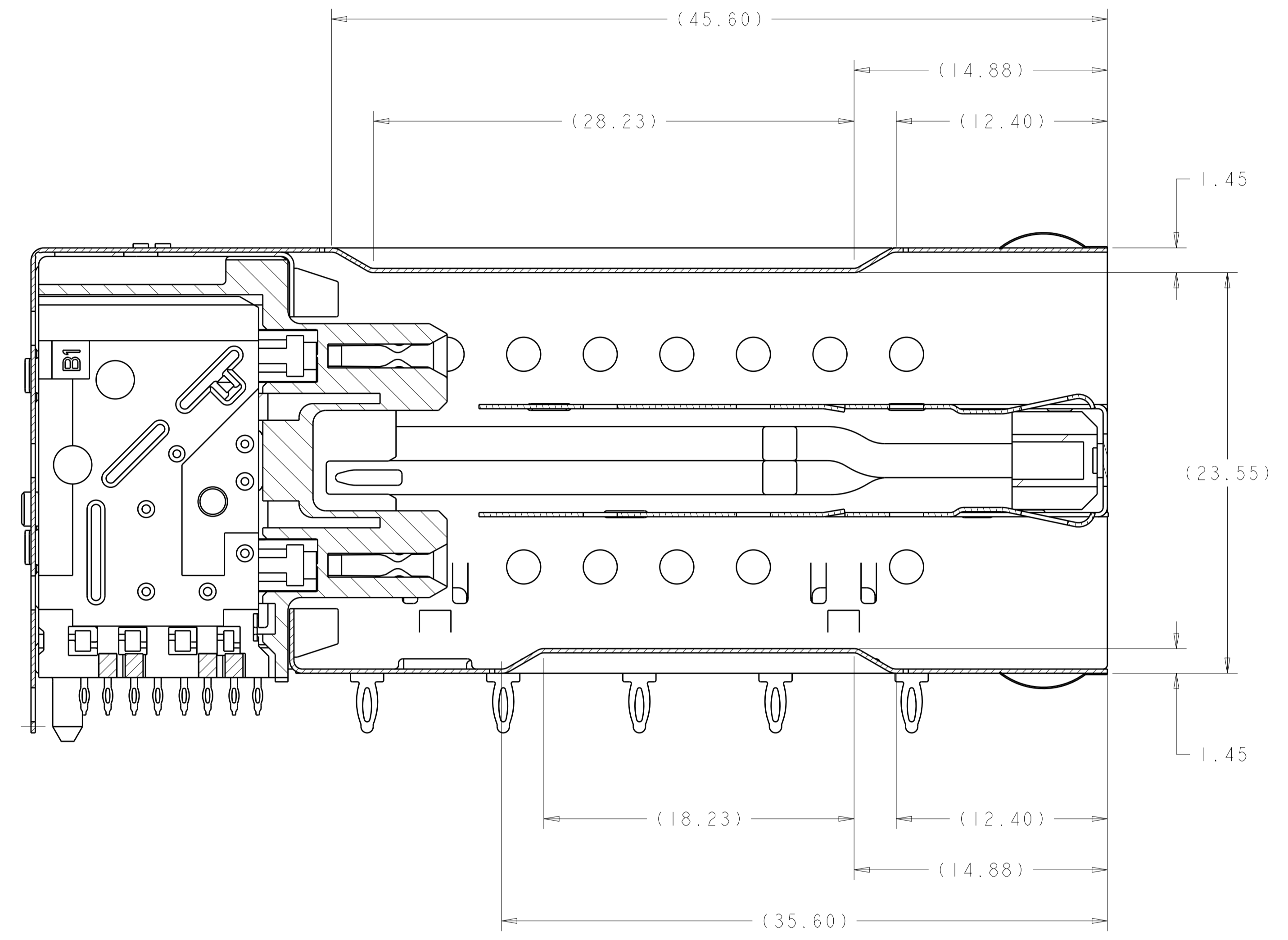
STE TE Connectivity

NAME: CAGE AND PT CONNECTOR ASSEMBLY, WITH EMI SPRINGS, PRESS FIT, 2X1, STACKED SFP+

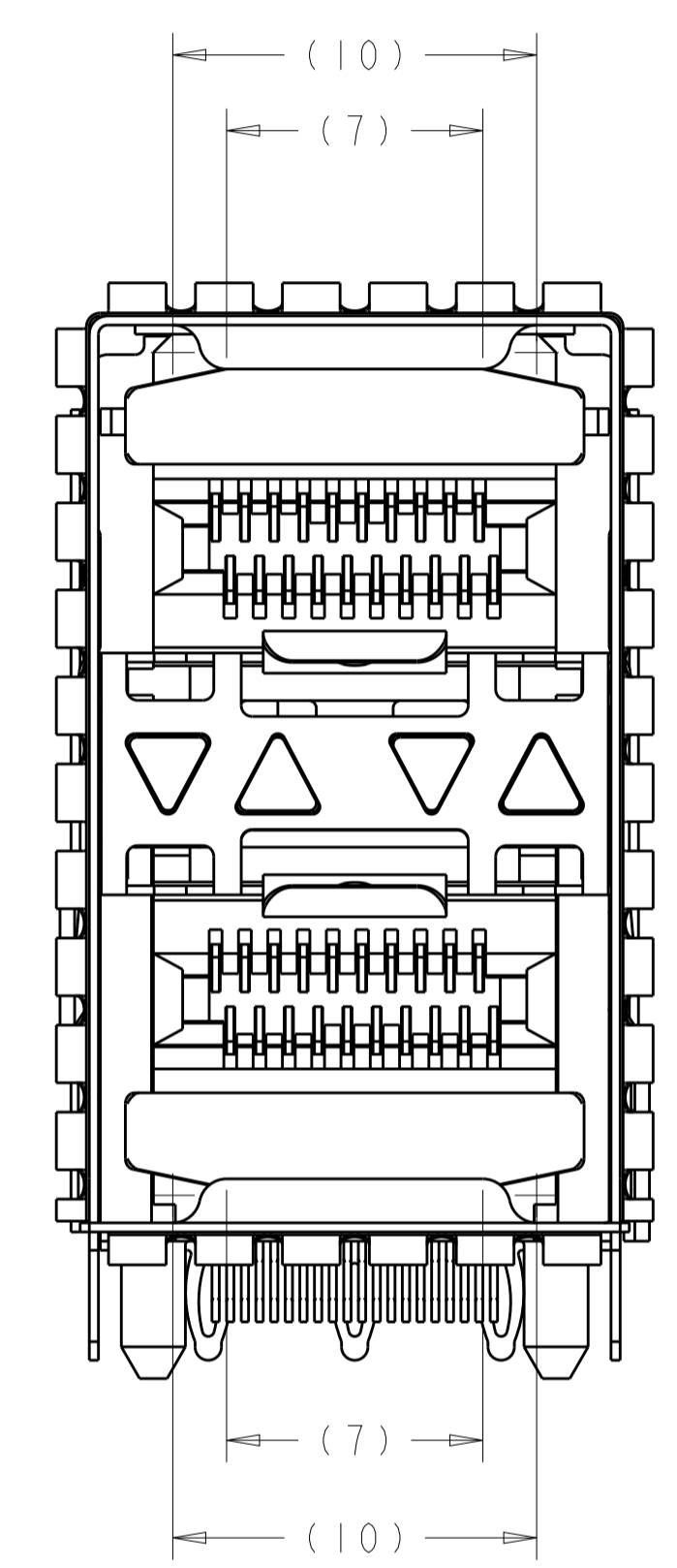
SIZE: A100779

DRAWING NO: C=2170409

LOC		DIST		REVISIONS			
P	LYR	DESCRIPTION	DATE	DWN	APVD		
-	-	SEE SHEET 1	-	-	-		

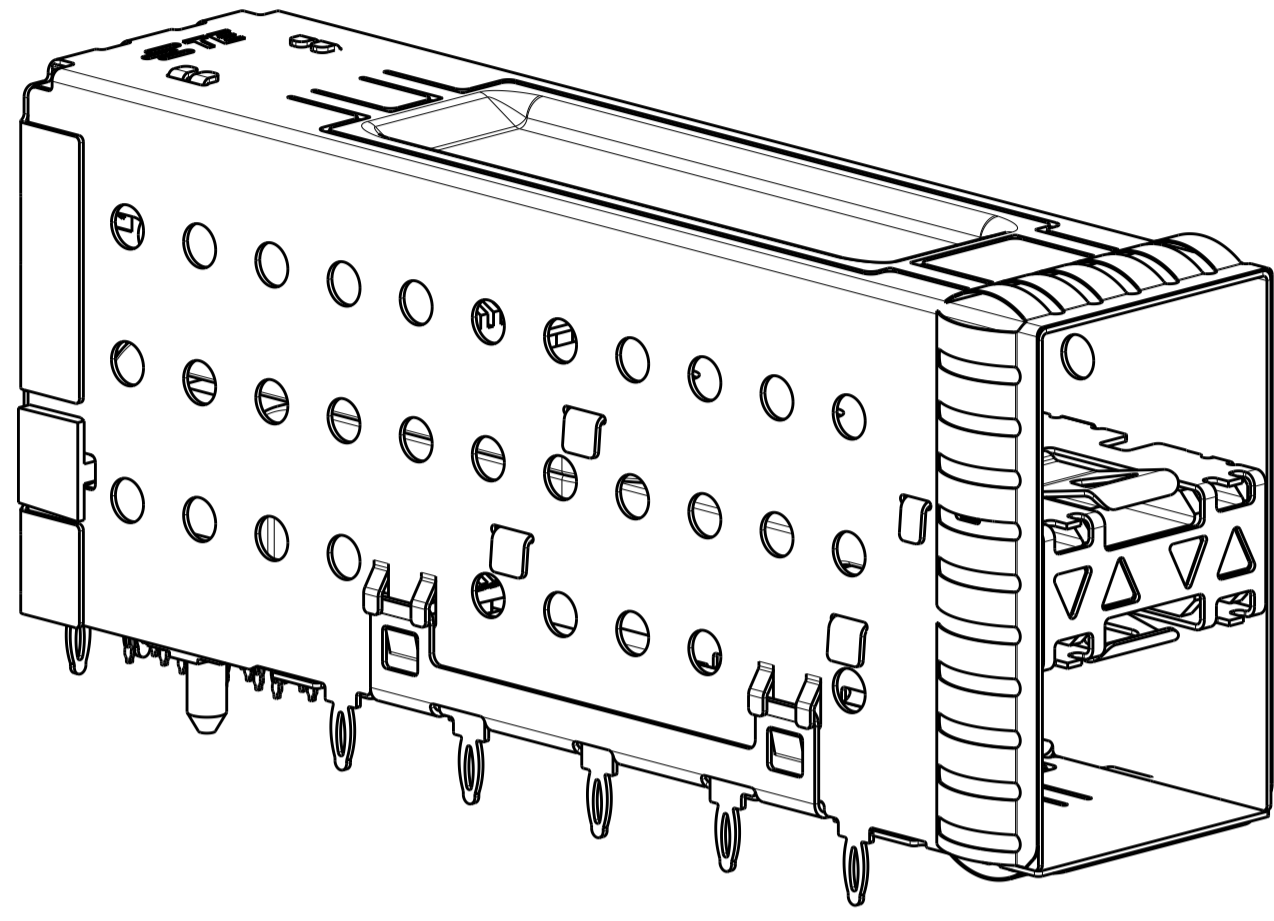


SECTION X-X

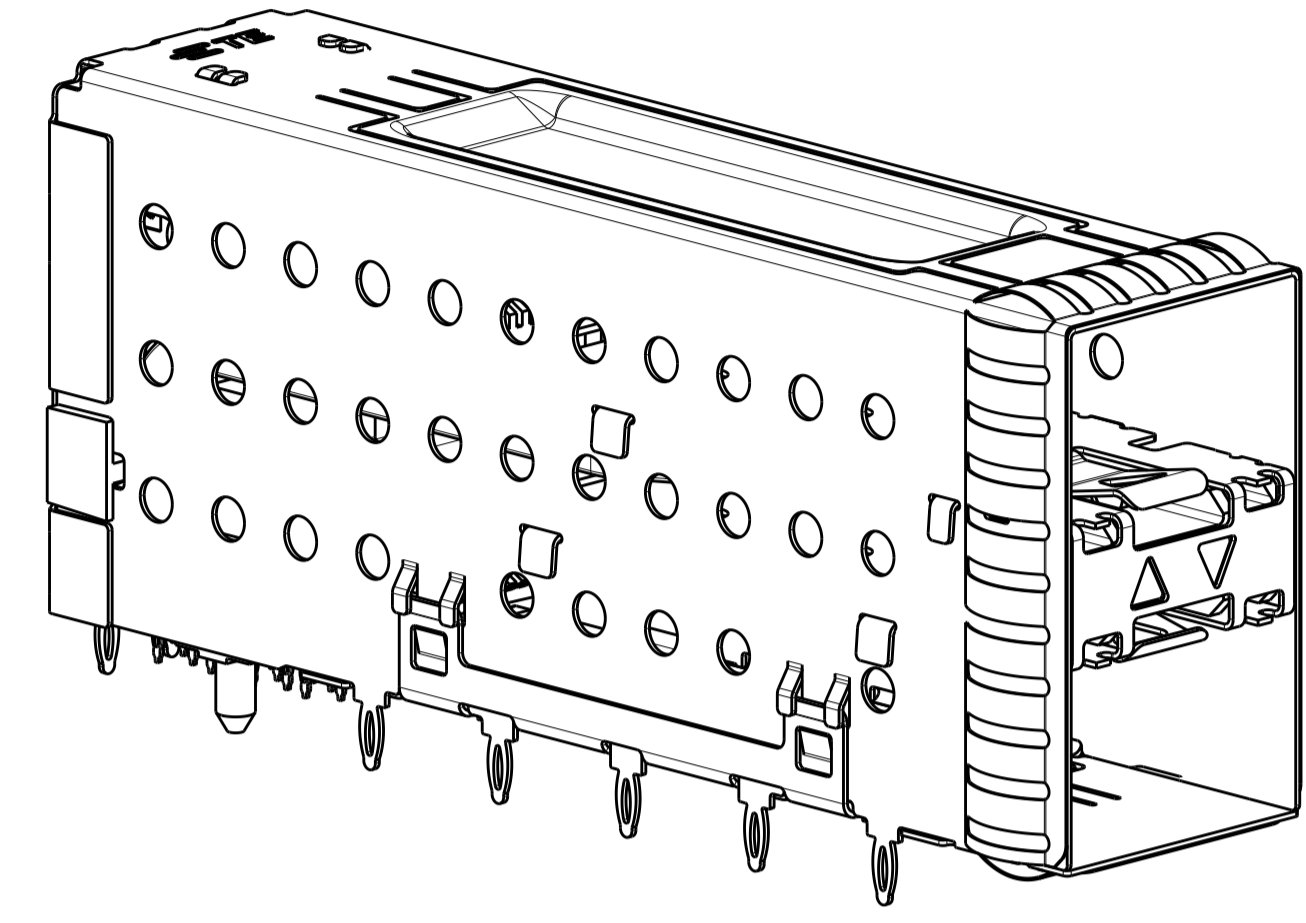


THIS DRAWING IS A CONTROLLED DOCUMENT.		DWN	TIM_XUE	02NOV2012	TE Connectivity
DIMENSIONS:		CHK	ALEX_CAI	02NOV2012	
mm	TOLERANCES UNLESS OTHERWISE SPECIFIED:	APVD	ALEX_CAI	02NOV2012	
	0 PLC ±0.25	PRODUCT SPEC			
	1 PLC ±0.25	108-2331			
	2 PLC ±0.25	APPLICATION SPEC			
	3 PLC ±0.25	114-13219			
	4 PLC ±	WEIGHT			
	ANGLES ±	CUSTOMER DRAWING			
	FINISH	SCALE	5:1	SHEET 2 OF 5	

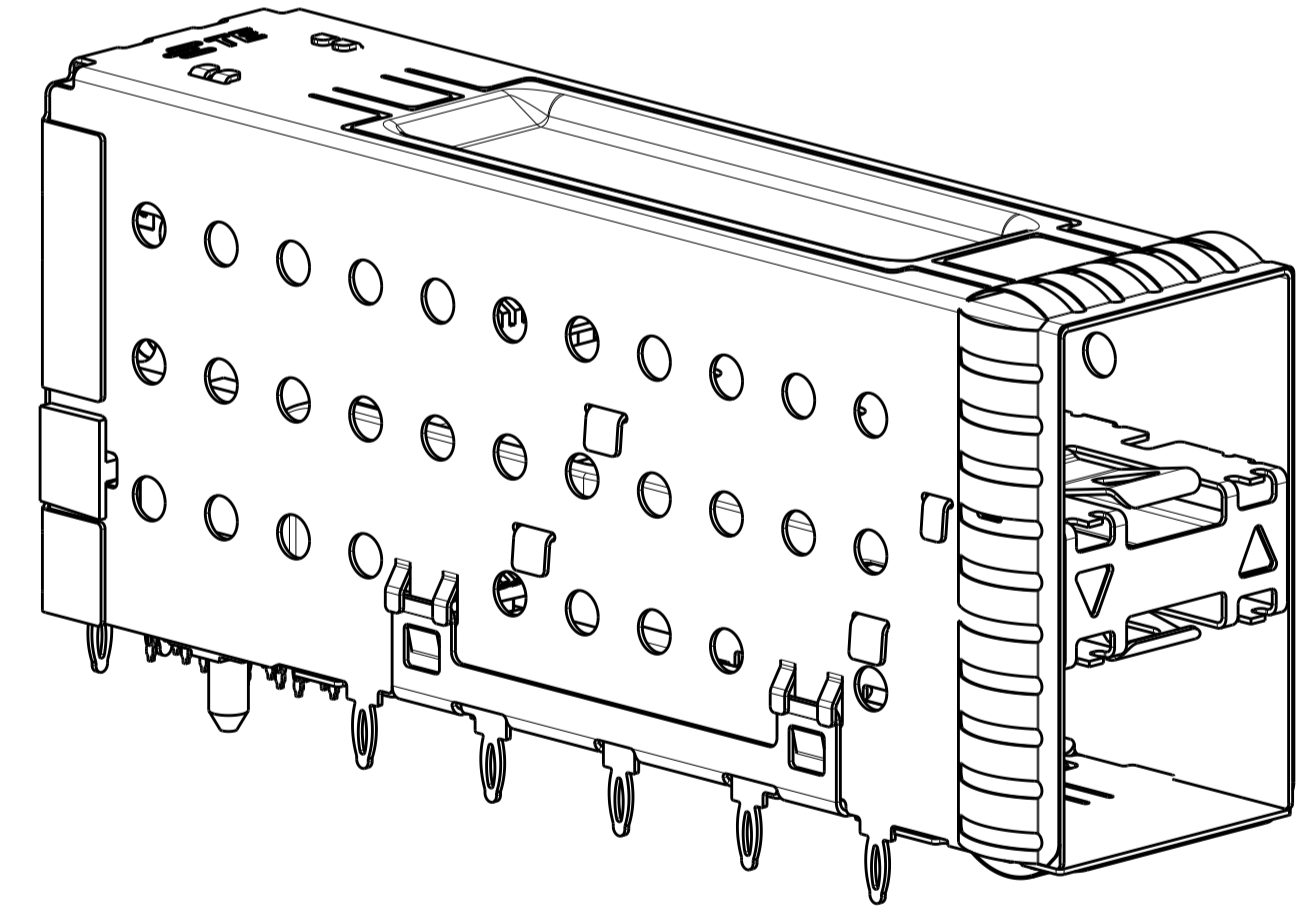
LOC	DIST	REVISIONS			
P	LYR	DESCRIPTION	DATE	DWN	APVD
-	-	SEE SHEET 1	-	-	-



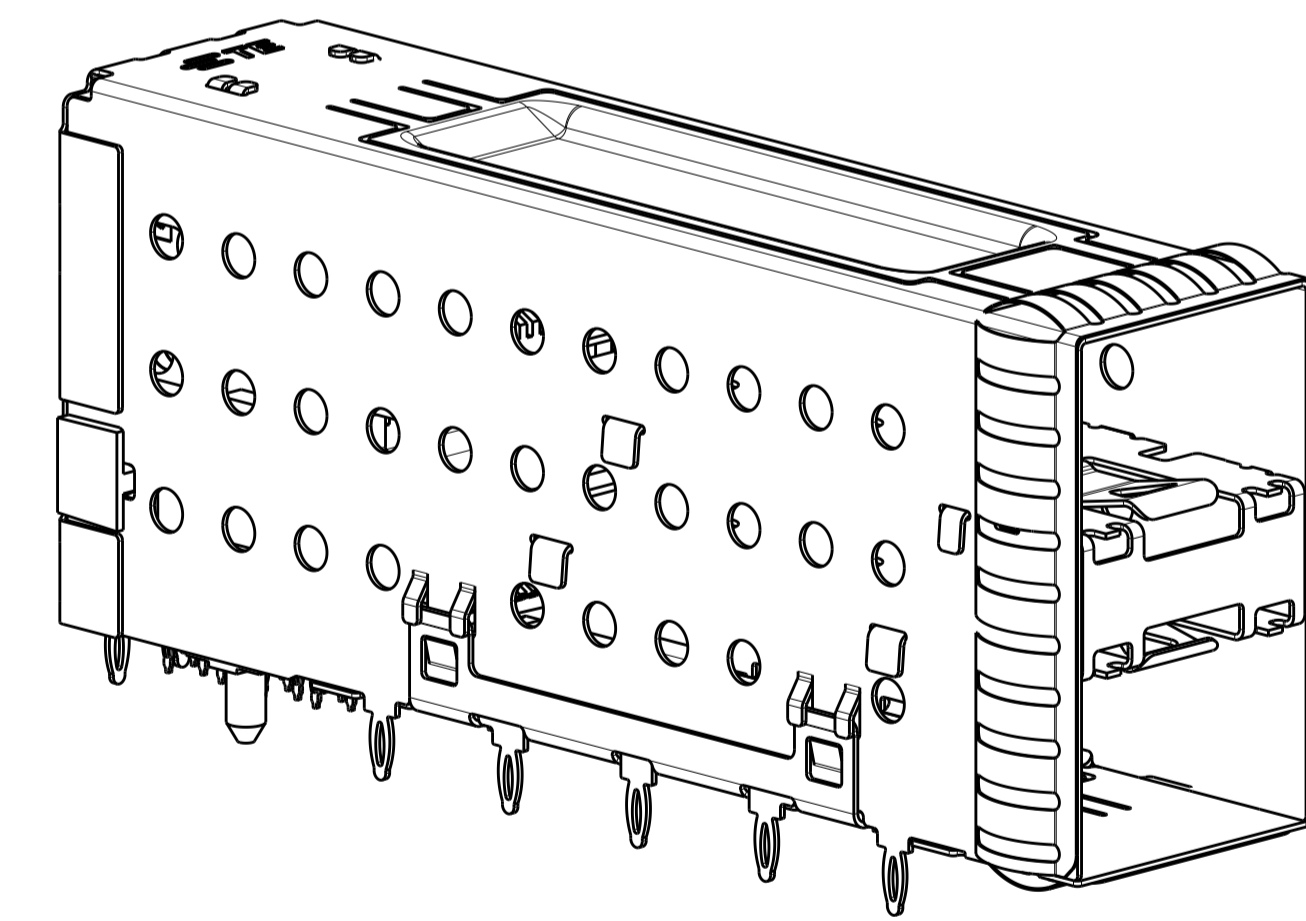
2170409-5
SCALE 3:1




2170409-6
SCALE 3:1



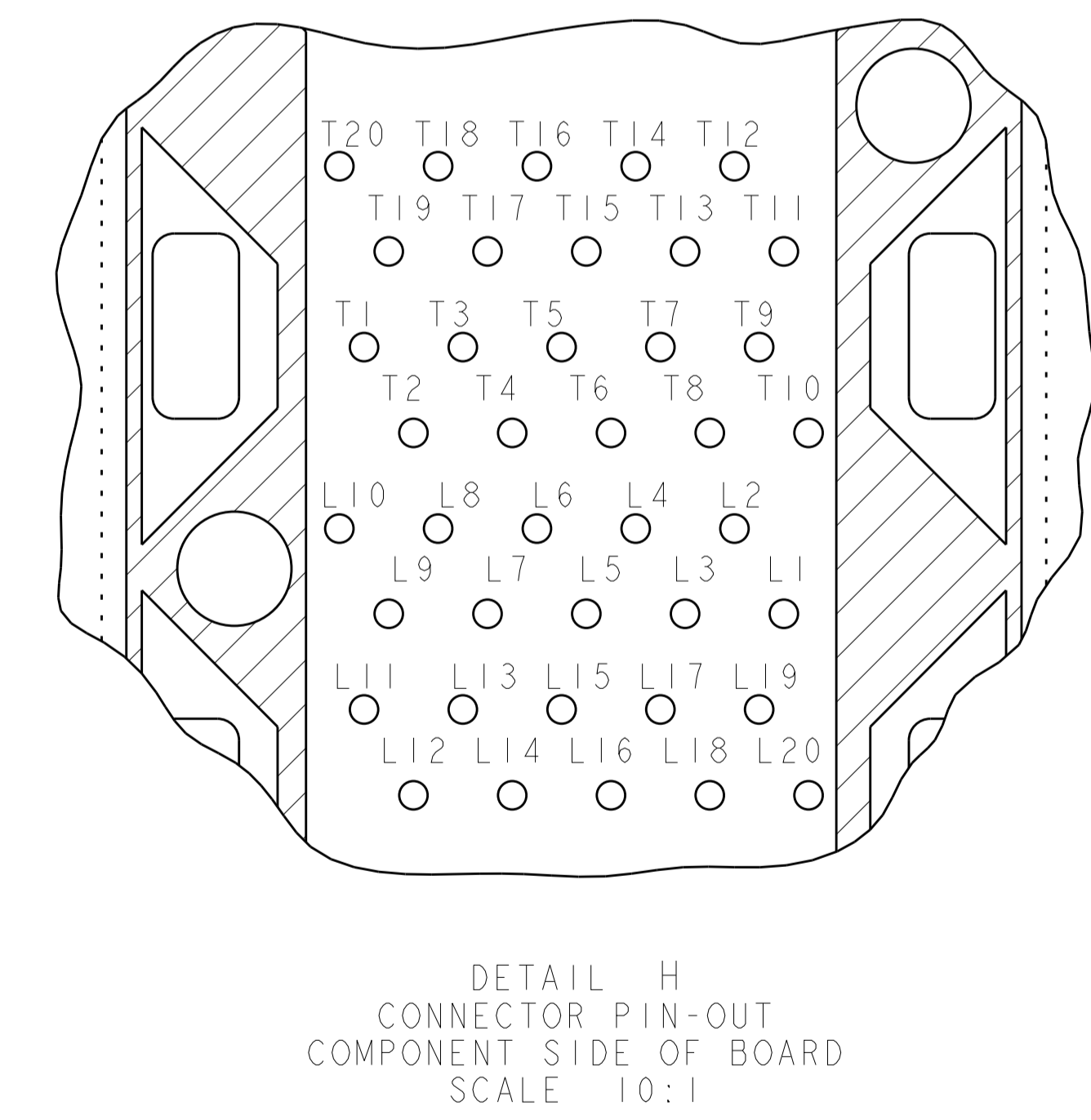
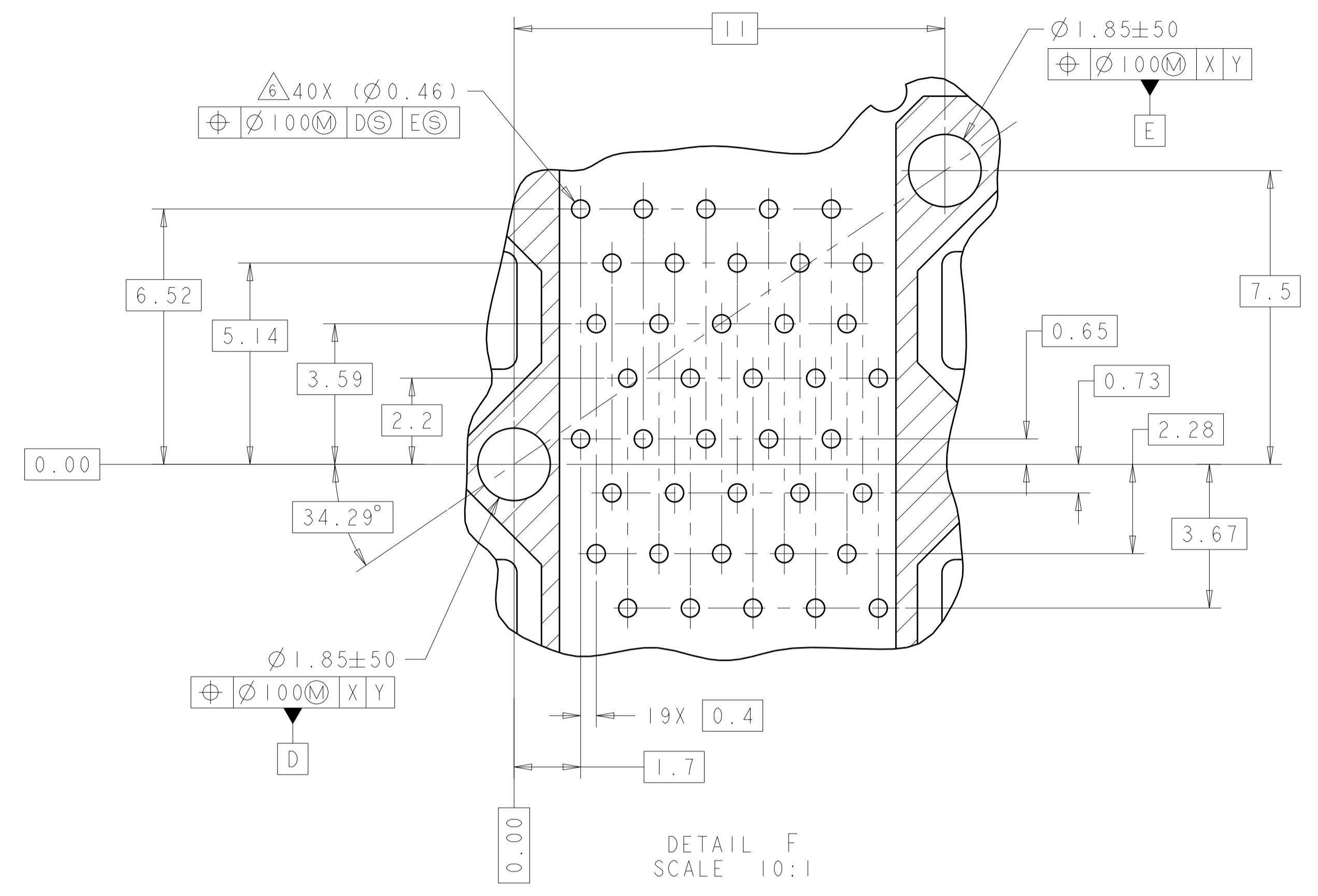
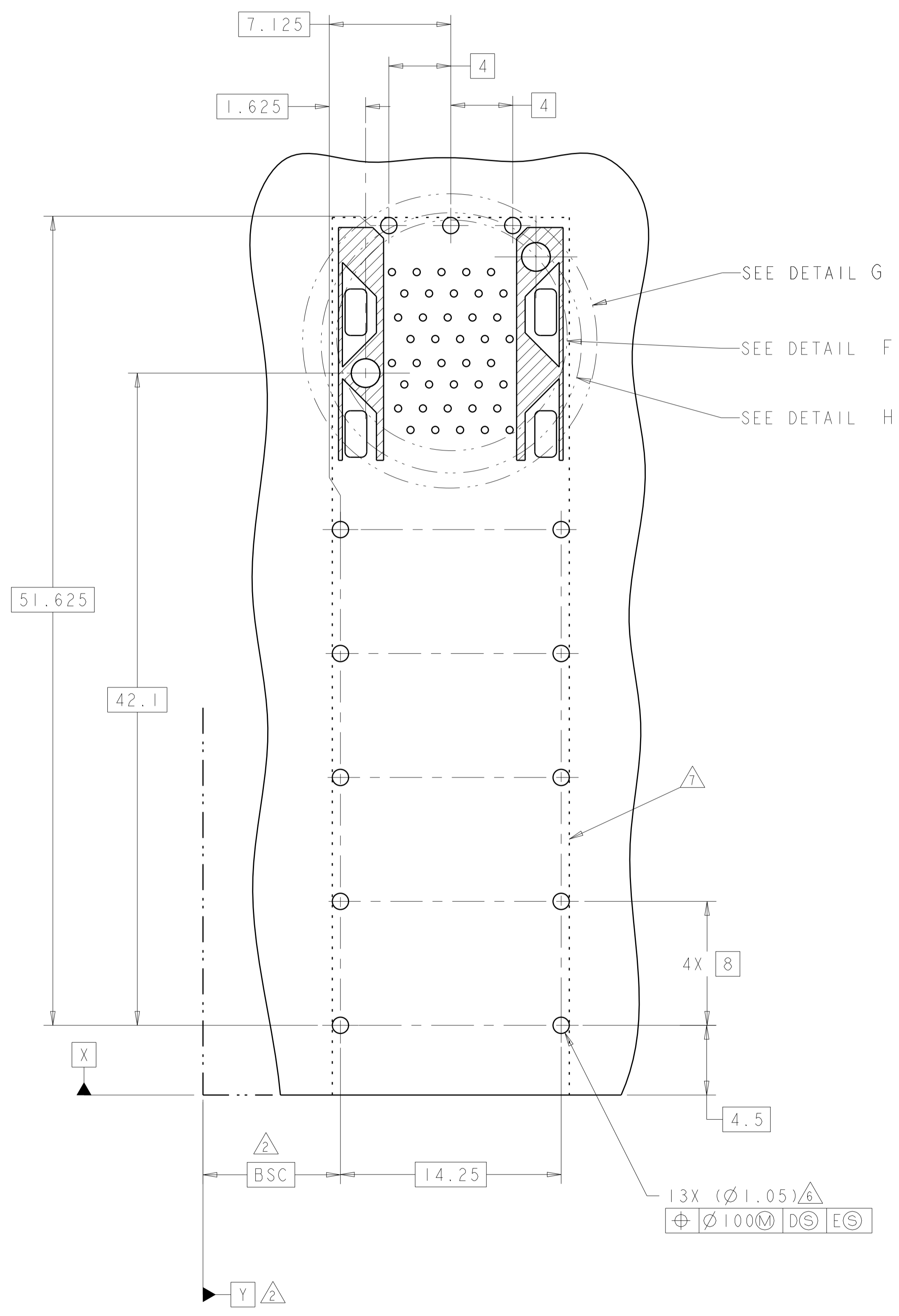
2170409-7
SCALE 3:1



2170409-8
SCALE 3:1

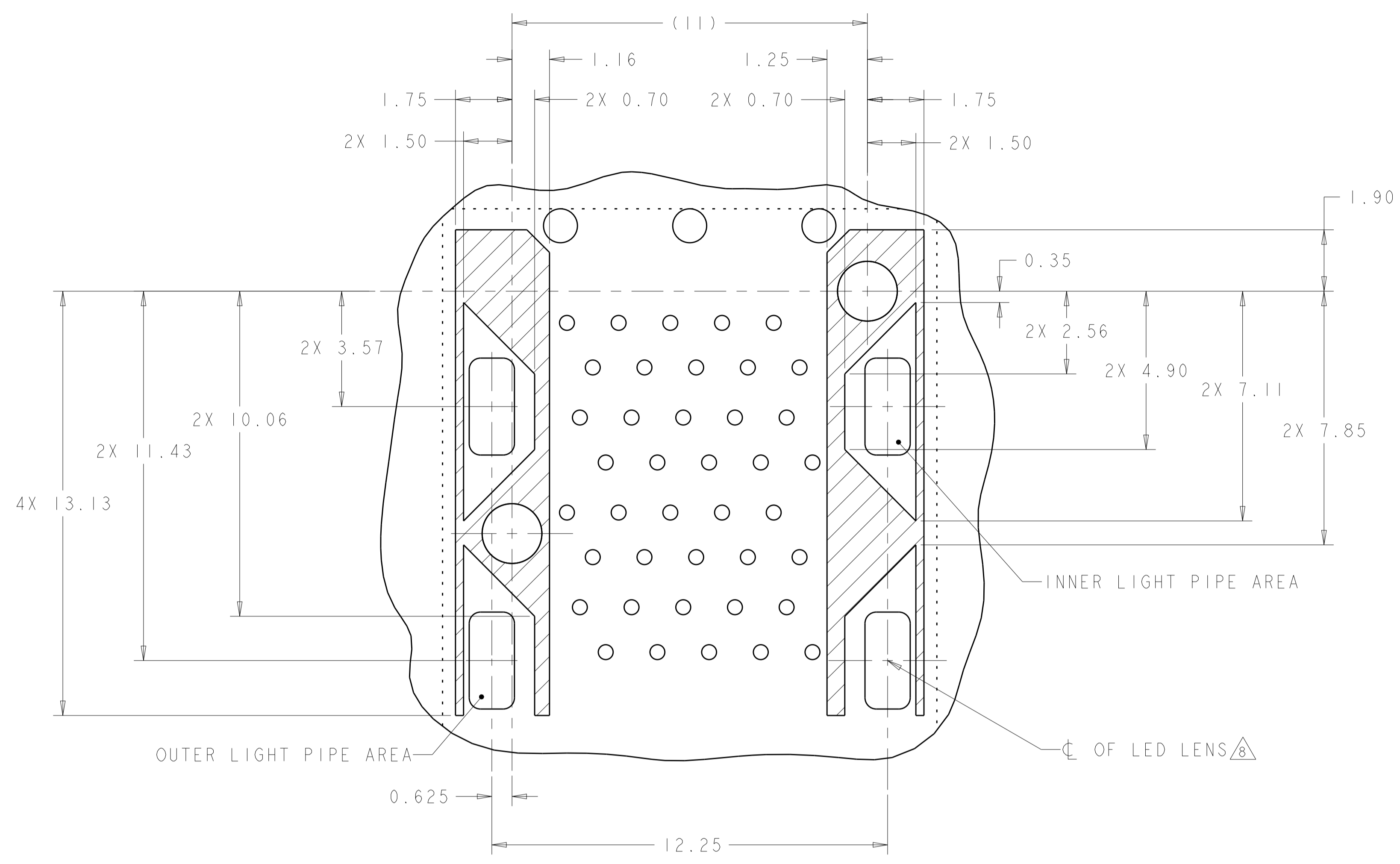
THIS DRAWING IS A CONTROLLED DOCUMENT.		DWN	TIM XUE	02NOV2012	 TE Connectivity NAME CAGE AND PT CONNECTOR ASSEMBLY, WITH EMI SPRINGS, PRESS FIT, 2X1, STACKED SFP+				
DIMENSIONS:		CHK	ALEX CAI	02NOV2012					
TOLERANCES UNLESS OTHERWISE SPECIFIED:		APVD	ALEX CAI	02NOV2012					
mm		PRODUCT SPEC							
0 PLC	±	108-2331			SIZE	CAGE CODE	DRAWING NO	RESTRICTED TO	
1 PLC	±0.25	APPLICATION SPEC			A100779	C=2170409			
2 PLC	±0.20	114-13219							
3 PLC	±0.10	WEIGHT							
4 PLC	±	CUSTOMER DRAWING							
ANGLES	±	SCALE	5:1	SHEET	3	OF	5	REV	B
FINISH									

LOC	DIST	REV	DATE	BY	APPV
GP	00				
DESCRIPTION			DATE	BY	APPV
SEE SHEET 1					

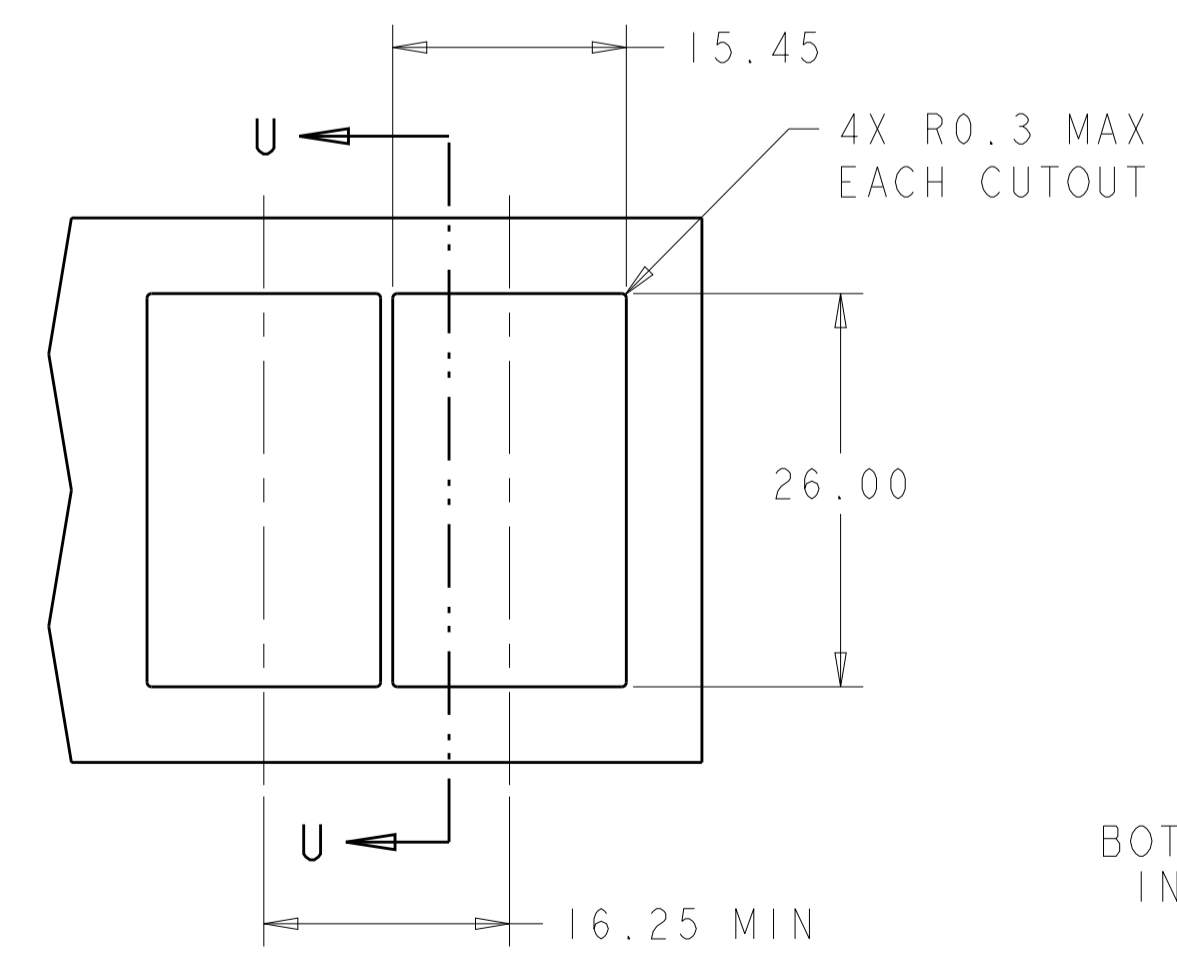


THIS DRAWING IS A CONTROLLED DOCUMENT.		OWN: TIM XUE 02NOV2012	TE Connectivity
DIMENSIONS: mm		CHK: ALEX CAI 02NOV2012	
TOLERANCES UNLESS OTHERWISE SPECIFIED:		APVD: ALEX CAI 02NOV2012	NAME: CAGE AND PT CONNECTOR ASSEMBLY, WITH EMI SPRINGS, PRESS FIT, 2X1, STACKED SFP+
0 PLC ±0.20	1 PLC ±0.15	PRODUCT SPEC: 108-2331	SIZE: A100779C=2170409
2 PLC ±0.10	3 PLC ±0.10	APPLICATION SPEC: 114-13219	RESTRICTED TO: -
4 PLC ±0.10	ANGLES ±0.5°	WEIGHT: -	SCALE: 5:1 SHEET 4 OF 5 REV B
MATERIAL: -	FINISH: -	CUSTOMER DRAWING	

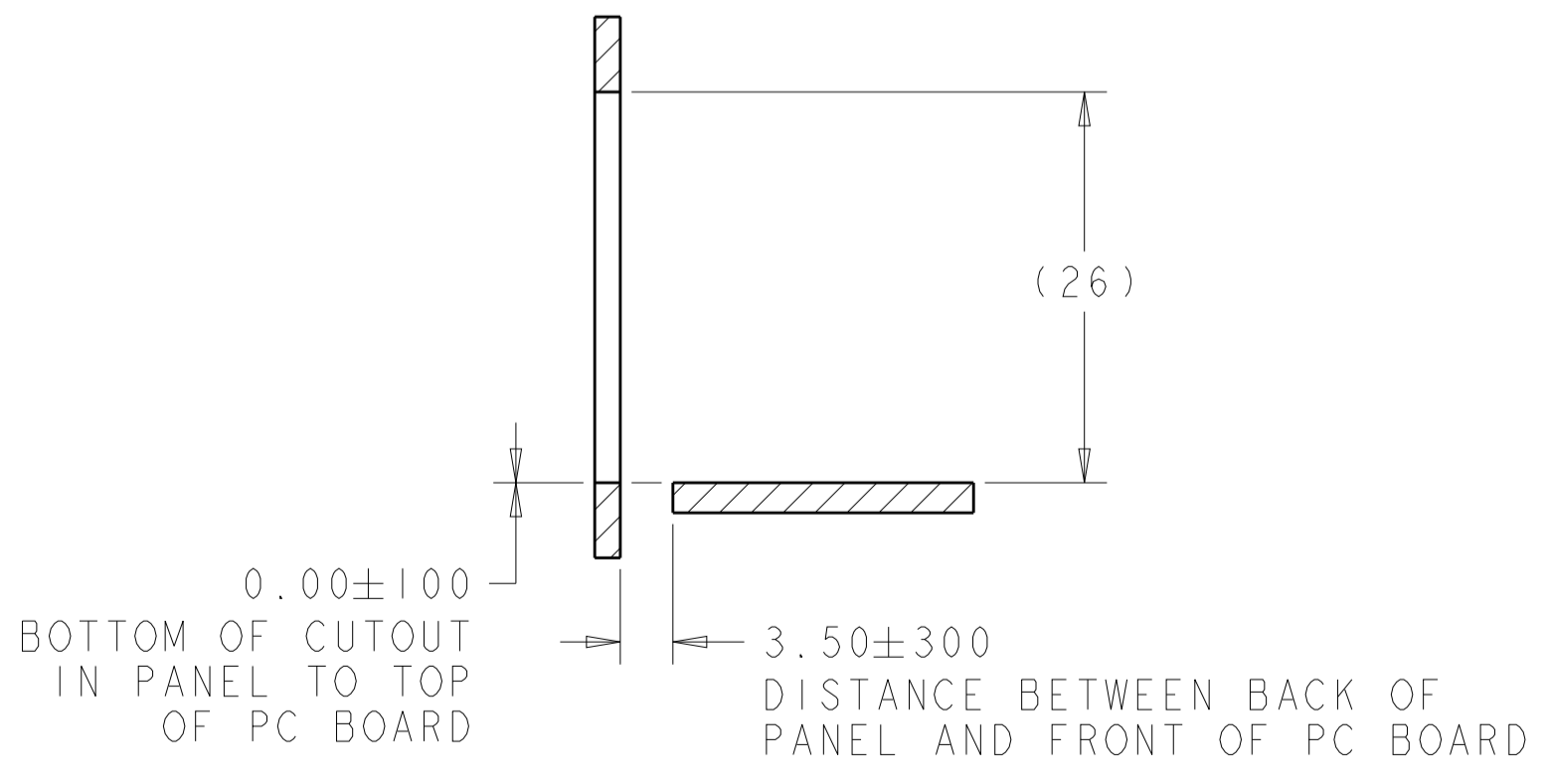
LOC	DIST	REVISIONS			
GP	00	REV	DATE	BY	APPV
-	-	SEE SHEET 1	-	-	-



DETAIL G
 CONNECTOR HOUSING
 KEEPOUT ZONE
 SCALE 10:1



RECOMMENDED PANEL CUTOUT
 AND PC BOARD, PANEL POSITION
 SCALE 2:1



SECTION U-U

THIS DRAWING IS A CONTROLLED DOCUMENT.		DWN: TIM XUE 02NOV2012 CHK: ALEX CAI 02NOV2012 APVD: ALEX CAI 02NOV2012	TE Connectivity
DIMENSIONS: mm TOLERANCES UNLESS OTHERWISE SPECIFIED: 0 PLC ±0.20 2 PLC ±0.15 3 PLC ±0.10 4 PLC ±0.05 ANGLES ±°		NAME: CAGE AND PT CONNECTOR ASSEMBLY, WITH EMI SPRINGS, PRESS FIT, 2X1, STACKED SFP+ PRODUCT SPEC: 108-2331 APPLICATION SPEC: 114-13219 WEIGHT: -	
MATERIAL: FINISH:		SIZE: 114-13219 CAGE CODE: A100779 DRAWING NO: C=2170409	RESTRICTED TO: - SCALE: 5:1 SHEET 5 OF 5 REV B

单击下面可查看定价，库存，交付和生命周期等信息

[>>TE Connectivity\(泰科\)](#)