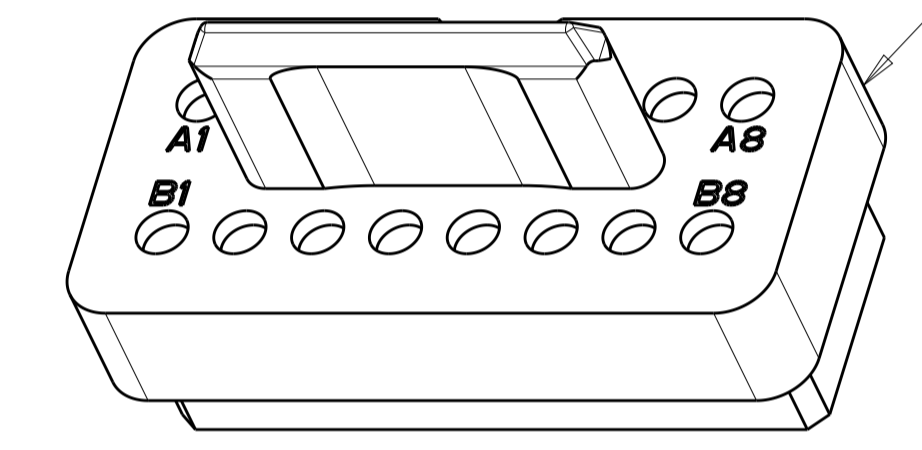
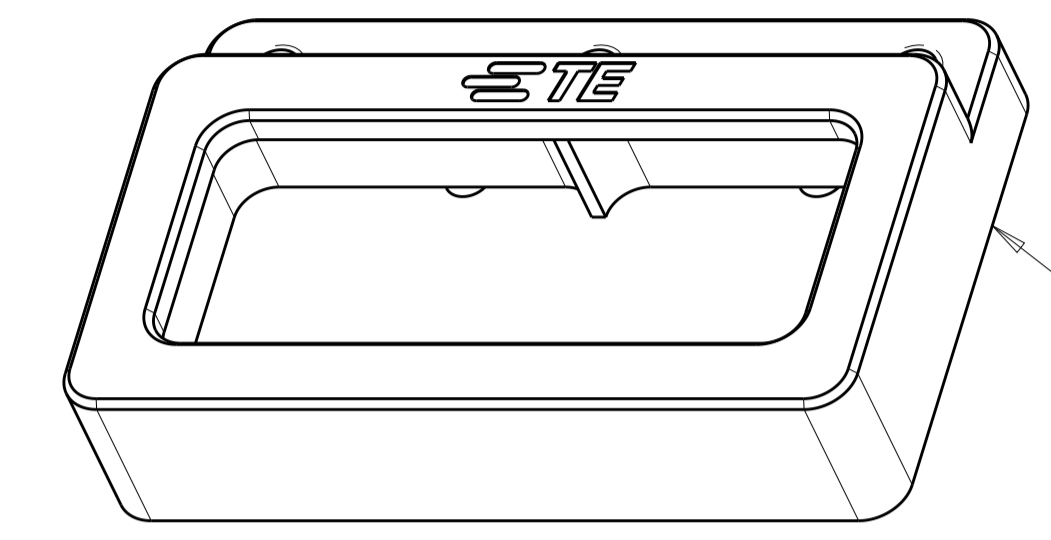
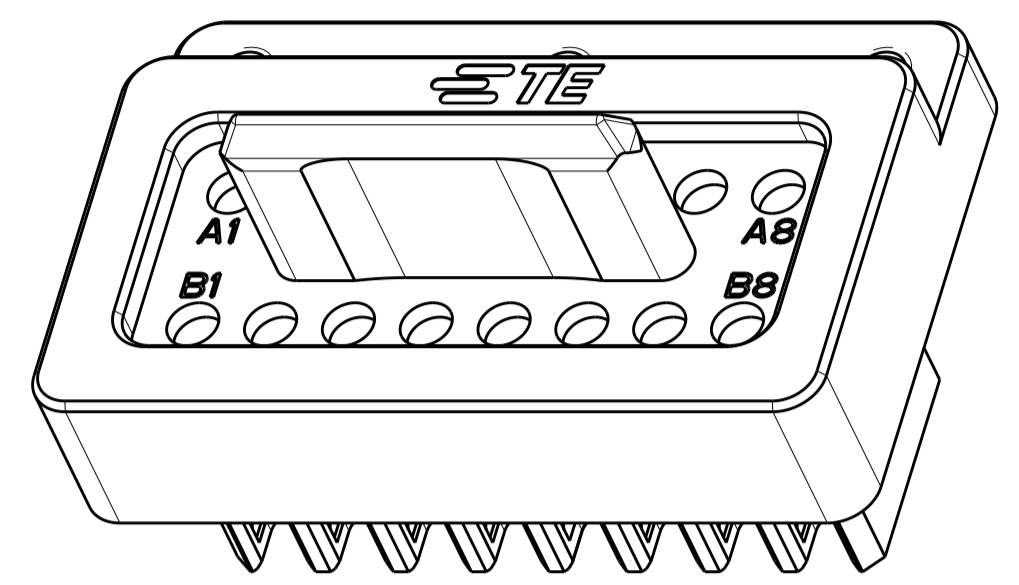
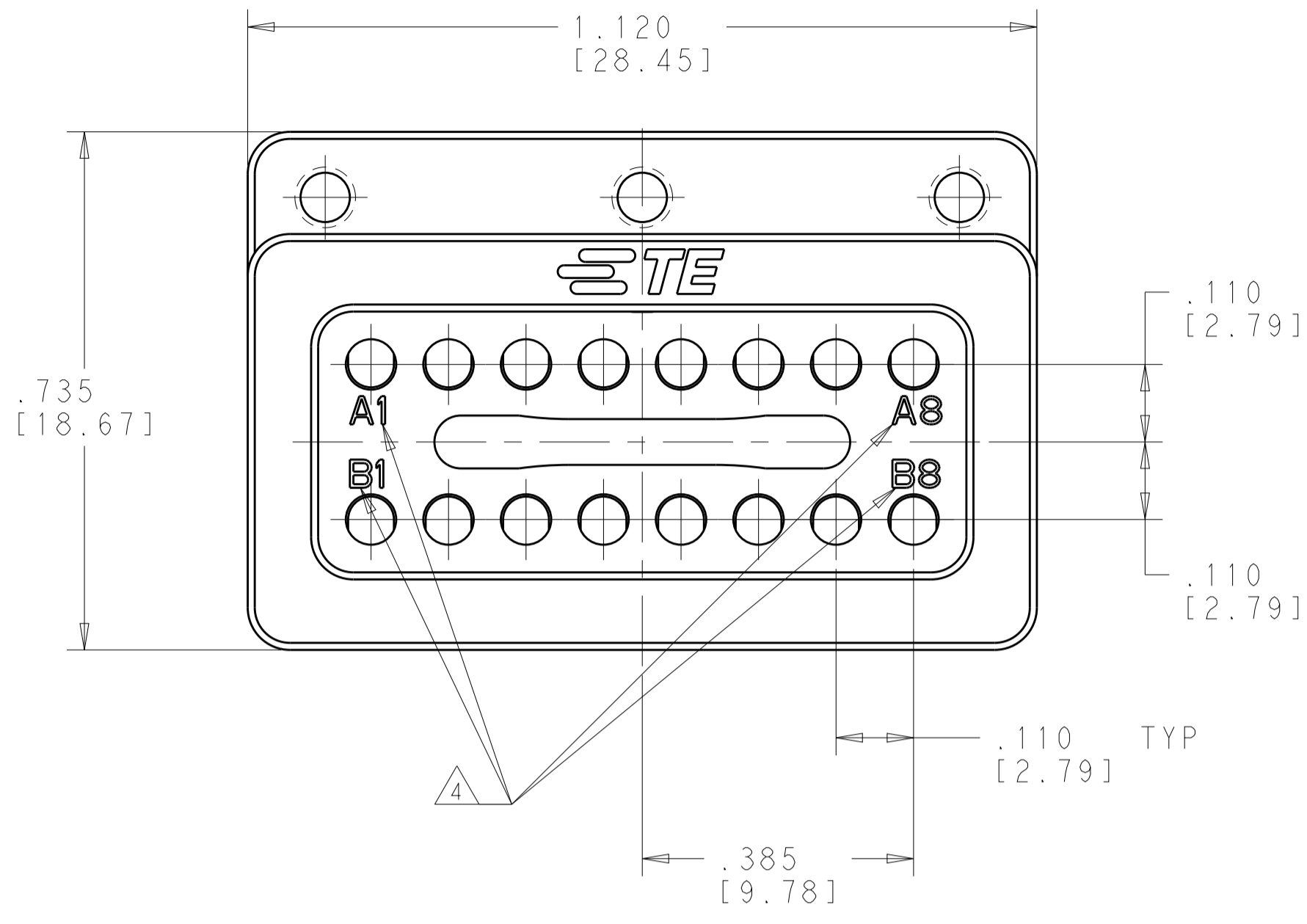
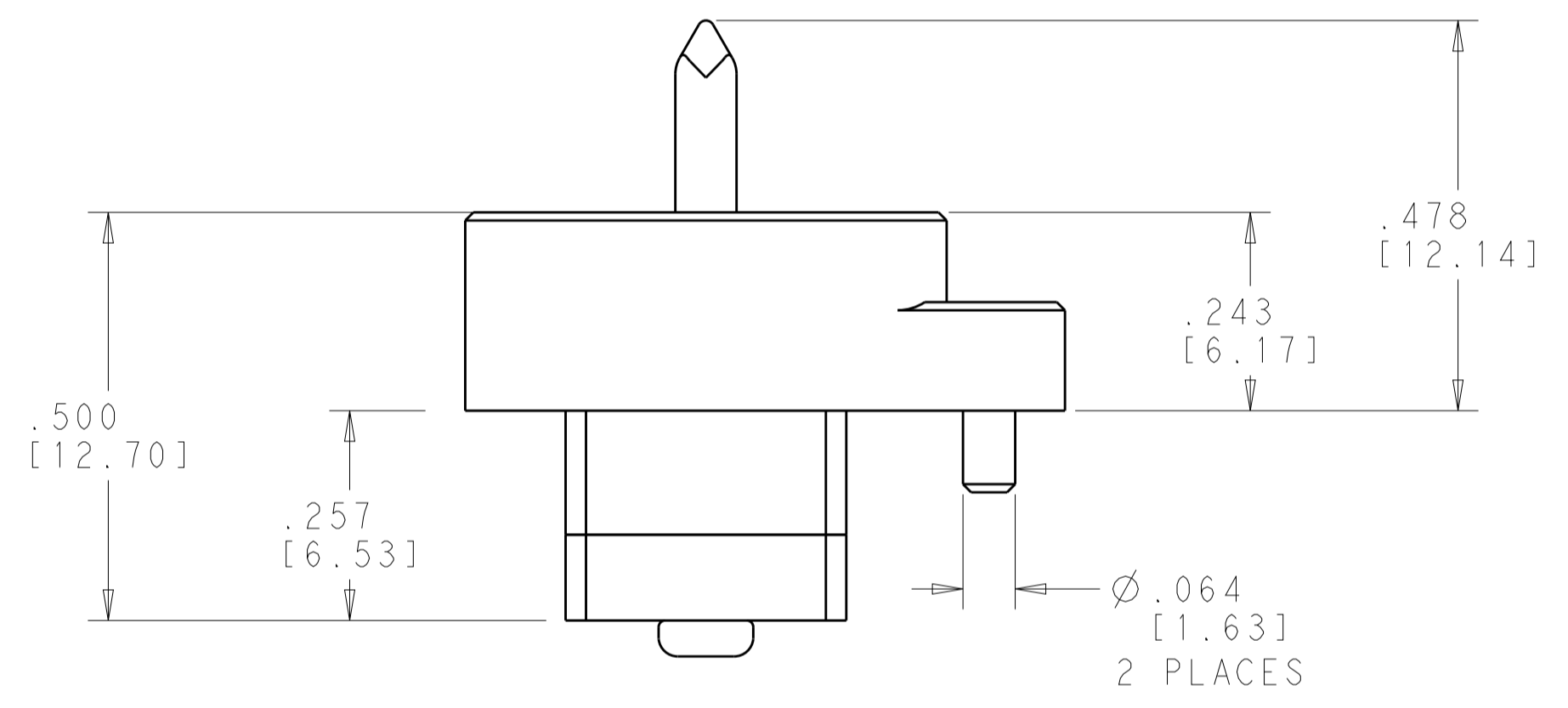
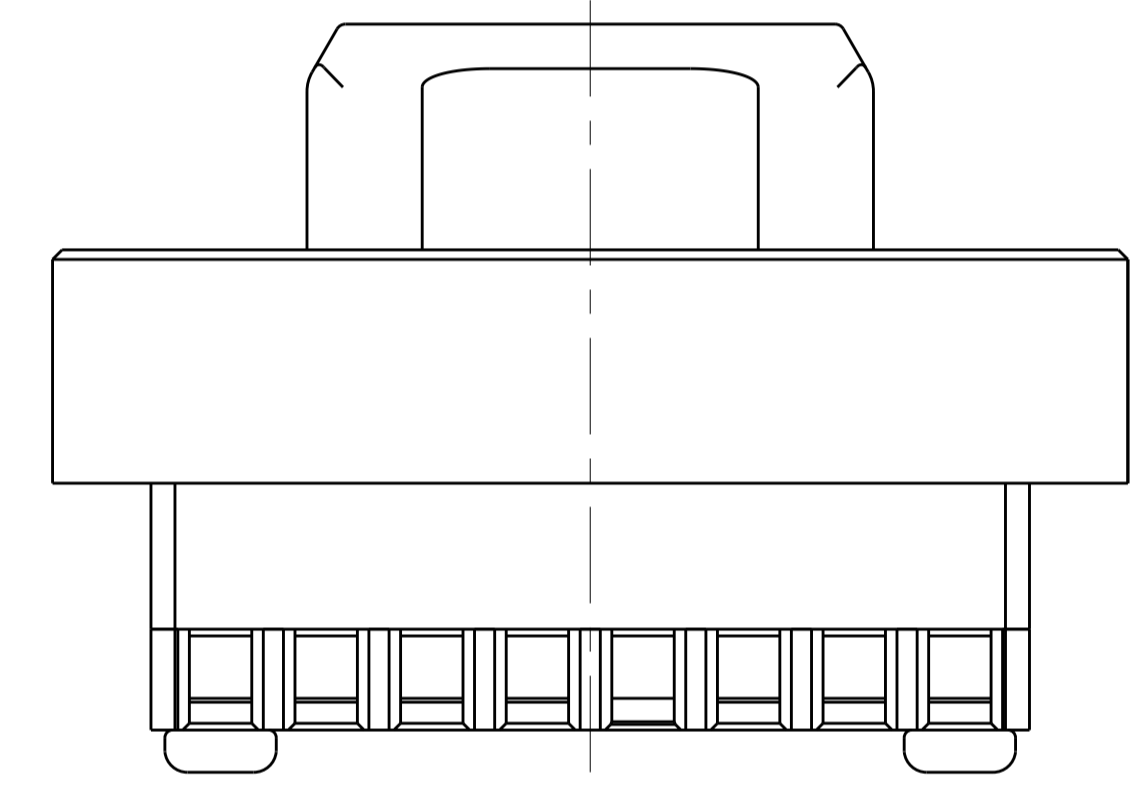


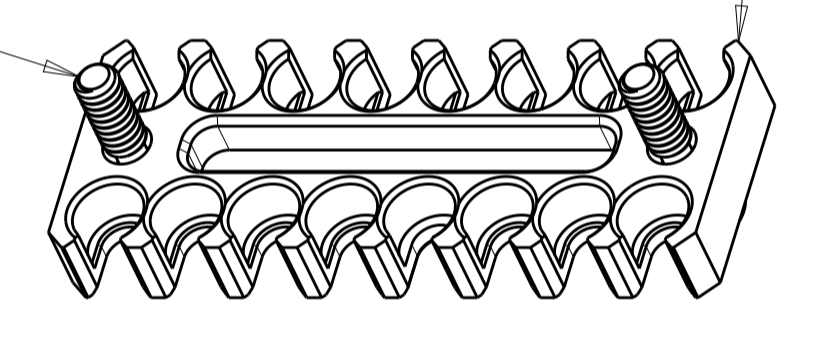
REVISIONS				
P.	LTN	DESCRIPTION	DATE	APP'D
B		RELEASED PER ECO 19-005475	4-9-19	CT FB



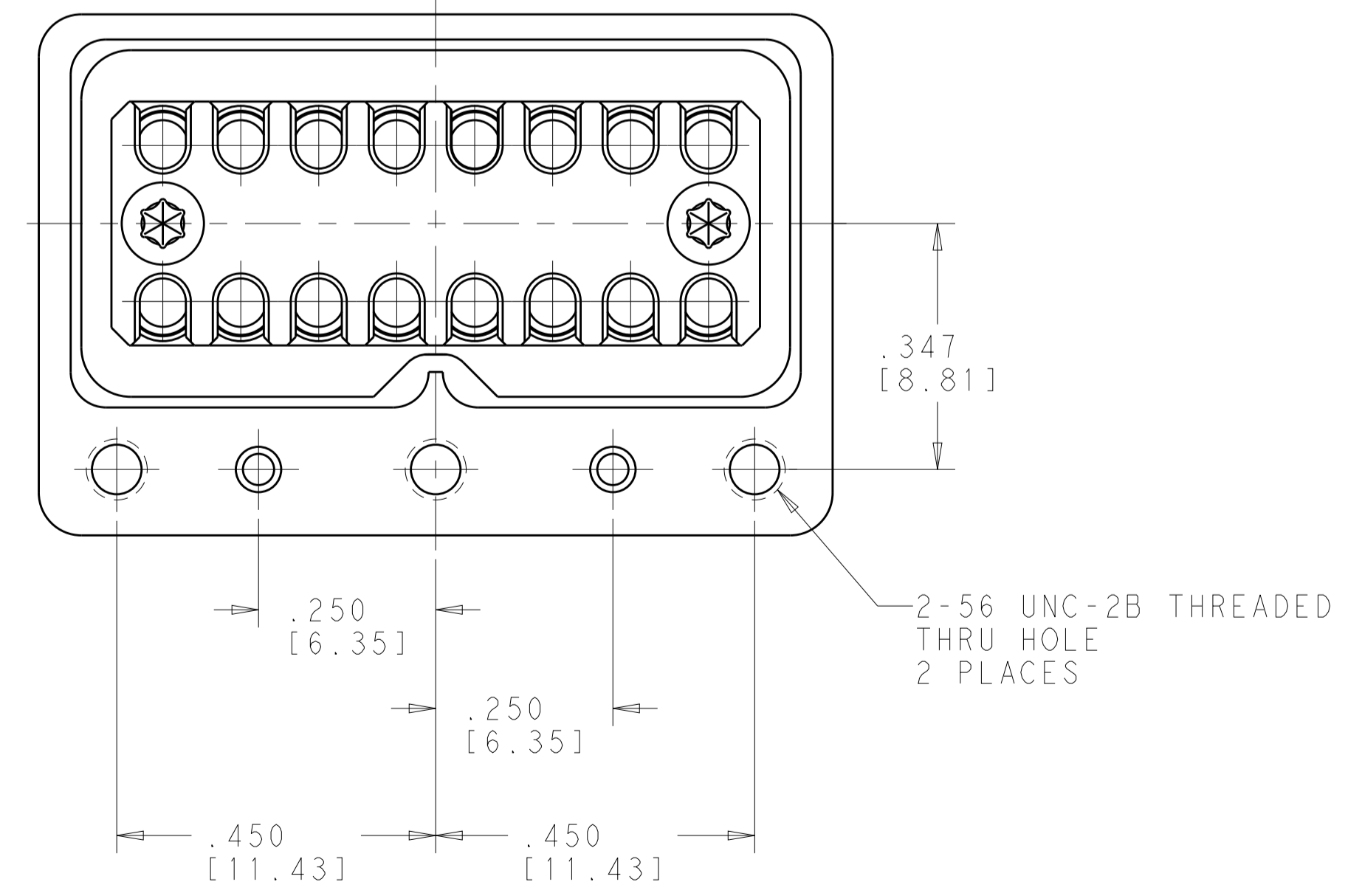
MODULE BODIES



0-80 UNF CAPTIVE SCREW (TORX DRIVE)



SCALE 4:1

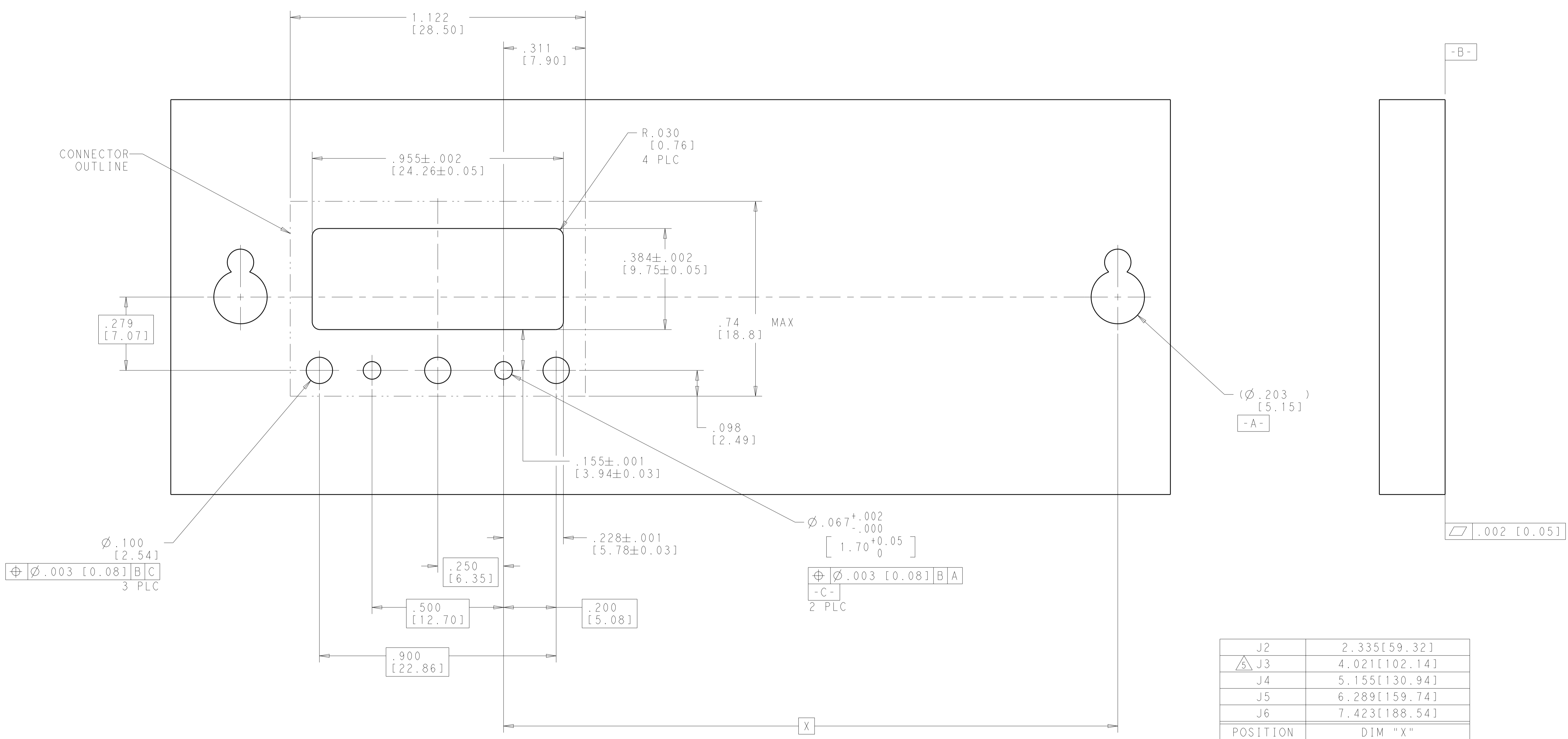


- 1 MATERIAL:
MODULE BODIES - SEE TABLE
GUIDE PIN - STAINLESS STEEL, PER UNS S30300
SCREWS - 300 SERIES STAINLESS STEEL
- 2 FINISH:
MODULE BODIES - SEE TABLE
SCREWS AND GUIDE PIN - PASSIVATED
- 3. SHIPPED IN KIT FORM.
- 4 CIRCUIT IDENTIFICATION MARKING
- 5 J3 MODULE LOCATION CAN BE MOVED -.129[3.28] TO POSITION J3 = 3.892[98.86] TO ALLOW FOR USE OF A FULL MULTIGIG CONNECTOR IN J4. THE DAUGHTERCARD MODULE POSITION MUST ALSO BE ADJUSTED ACCORDINGLY.

CLEAR CHROMATE CONVERSION COATING	ALUMINUM ALLOY 7075	2828395-2
PASSIVATED	STAINLESS STEEL PER UNS S30300	2828395-1
MODULE FINISH 2	MODULE MATERIAL 1	PART NUMBER

THIS DRAWING IS A CONTROLLED DOCUMENT.		DWN R. MILLER 06AUG2015 CHK C. YI 14AUG25015 APVD K. DOWNHOWER 11APR2018	STE TE Connectivity	
DIMENSIONS: INCHES/mm 	TOLERANCES UNLESS OTHERWISE SPECIFIED: 0 PLC ± 1 PLC ± 2 PLC ± 3 PLC ±.005(0.13) 4 PLC ± ANGLES ±	PRODUCT SPEC 108-163006 APPLICATION SPEC 408-163016 WEIGHT CUSTOMER DRAWING	NAME 16 POSITION NanoRF MODULE P.C.B. MOUNT - BACKPLANE VITA SIZE CAGE CODE DRAWING NO A100779C=2828395	RESTRICTED TO
NOTE 1	NOTE 2	SCALE 5:1	SHEET 1 OF 2	REV B

REVISIONS				
P.	LTN	DESCRIPTION	DATE	APVD
-		SEE SHEET 1	-	-



J2	2.335[59.32]
J3	4.021[102.14]
J4	5.155[130.94]
J5	6.289[159.74]
J6	7.423[188.54]
POSITION	DIM "X"

TYP PCB LAYOUT - VIEWED FROM BACKSIDE OF BACKPLANE

THIS DRAWING IS A CONTROLLED DOCUMENT.		DWN R. MILLER 06AUG2015	 TE Connectivity
DIMENSIONS: INCHES/mm		CHK C. YI 14AUG25015	
TOLERANCES UNLESS OTHERWISE SPECIFIED:		APVD K. DOWNHOWER 11APR2018	NAME 16 POSITION NanoRF MODULE
0 PLC ± 1 PLC ± 2 PLC ± 3 PLC ±.005[0.13] 4 PLC ± ANGLES ±		PRODUCT SPEC 108-163006	P.C.B. MOUNT - BACKPLANE
MATERIAL		APPLICATION SPEC 408-163016	VITA
NOTE 1	NOTE 2	WEIGHT	SIZE CAGE CODE DRAWING NO A100779C=2828395
CUSTOMER DRAWING		SCALE 5:1	RESTRICTED TO SHEET 2 OF 2 REV B

单击下面可查看定价，库存，交付和生命周期等信息

[>>TE Connectivity\(泰科\)](#)