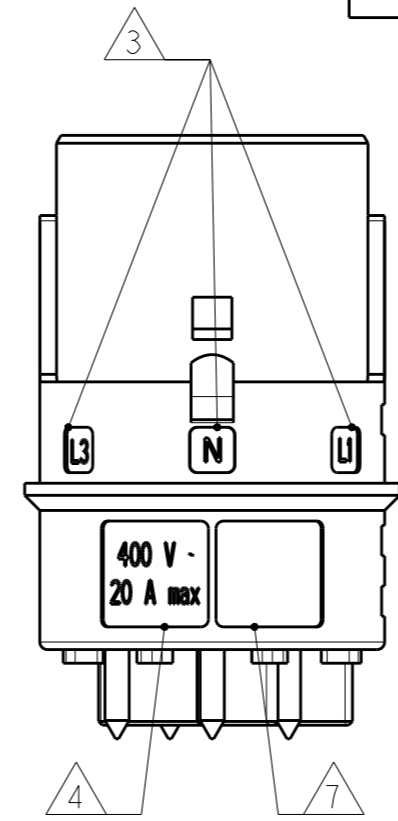
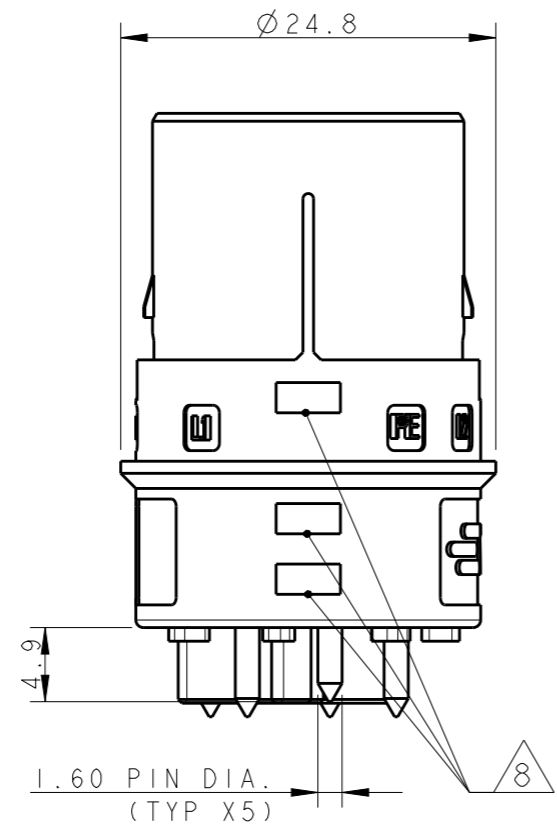
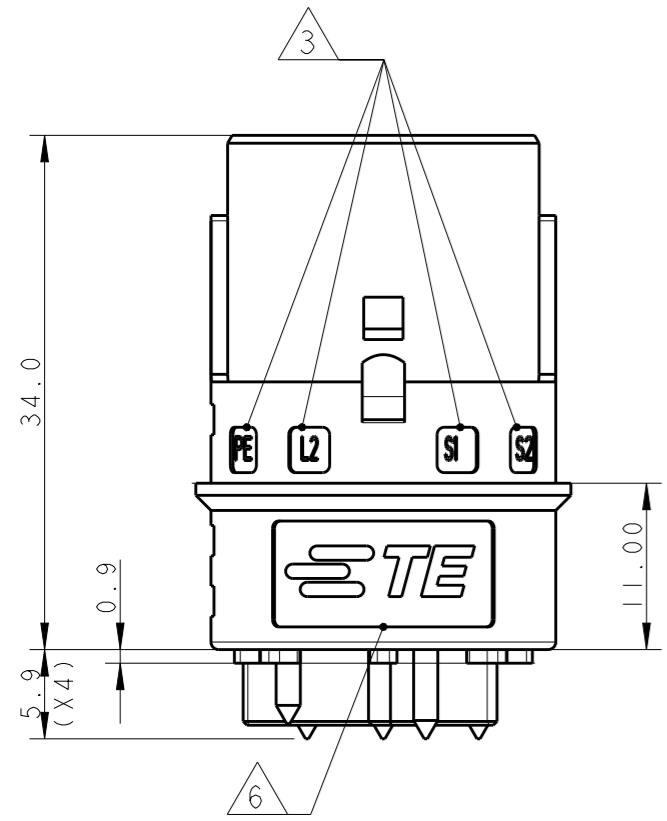
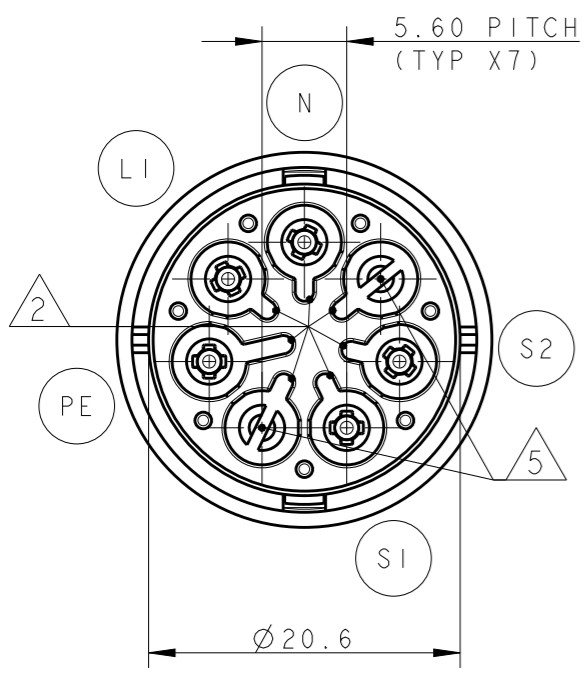


THIS DRAWING IS UNPUBLISHED. RELEASED FOR PUBLICATION 2011
 © COPYRIGHT 2011 ALL RIGHTS RESERVED.

| LOC | DIST | REVISIONS | | | |
|-----|------|-------------|---------------------------|-----------|-------|
| P | LTR | DESCRIPTION | DATE | DWN | APVD |
| 1 | - | AI | REVISED PER ECR-18-006945 | 30MAY2018 | NG MZ |



- NOTES:
- ① MATERIAL: PA GF (NATURAL COLOUR)
 - ② ALL POLARIZATION KEYS SHOWN FOR REF ONLY
 - ③ WAYS I.D.
 - ④ VOLTAGE AND CURRENT RATINGS
 - ⑤ RIB CLOSING CAVITIES BY CHANGE OVER
 - ⑥ TE LOGO
 - ⑦ AREA FOR AGENCIES APPROVAL LOGO
 - ⑧ VISUAL INDICATOR FOR PE CONDUCTOR
 - ⑨ POLARISATION KEY "TYPE D" SUITABLE FOR DALI APPLICATION



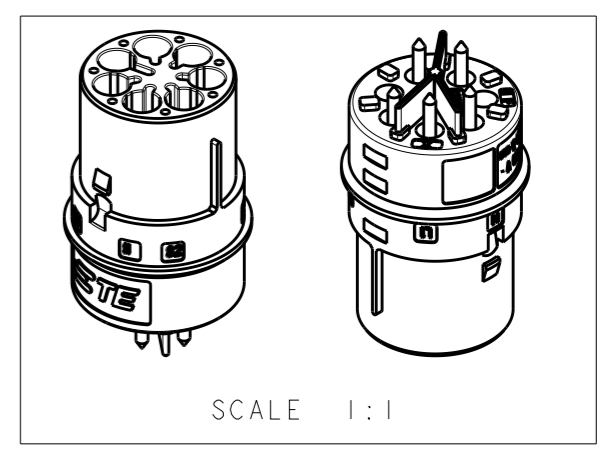
PCB CUT-OUT AND HOLES DIMENSIONS (±0.03)

BOTTOM VIEW

TOP VIEW

BOTTOM VIEW

RACOMANDED PCB THICKNESS 1.6±0.06, PATH THICKNESS 0.07, PATH WIDTH 7.50±0.05 FOR LINES, PE, NEUTRAL



| | | | | |
|---|--|-------------------------------|---|-----------------------|
| THIS DRAWING IS A CONTROLLED DOCUMENT. | | DWN M. ZUCCA 04APR2011 | TE Connectivity | |
| DIMENSIONS: mm | | CHK M. ZUCCA 04APR2011 | | |
| TOLERANCES UNLESS OTHERWISE SPECIFIED: | | APVD G. TURCO 04APR2011 | NAME PIN PCB CONNECTOR NECTOR* M-LINE 5 POLES | |
| 0 PLC ±- 1 PLC ±0.3 2 PLC ±0.20 3 PLC ±- 4 PLC ±- ANGLES ±3° | | PRODUCT SPEC - | RESTRICTED TO - | |
| MATERIAL - | | FINISH - | APPLICATION SPEC - | SIZE A300779 |
| | | | WEIGHT - | CAGE CODE C-293695 |
| | | | Customer Drawing | SCALE 2:1 |
| | | | | SHEET 1 OF 2 |
| | | | | REV AI |

THIS DRAWING IS UNPUBLISHED.

RELEASED FOR PUBLICATION

2011

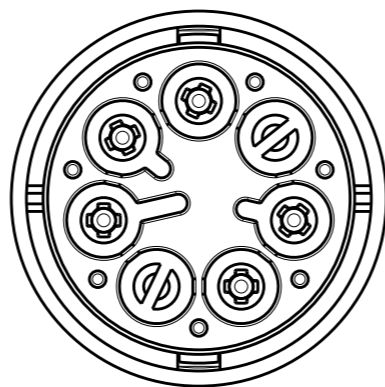
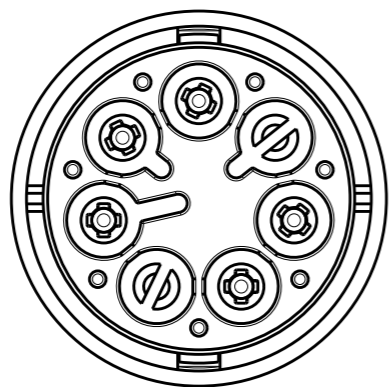
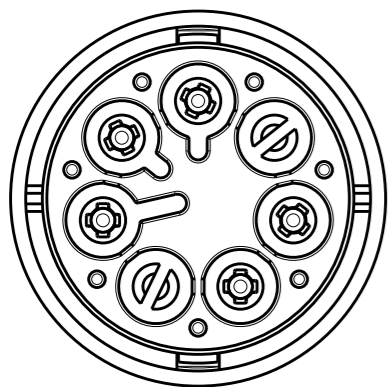
© COPYRIGHT 2011

ALL RIGHTS RESERVED.

| LOC | DIST | REVISIONS | | | |
|-----|------|-------------|------|-----|------|
| P | LTR | DESCRIPTION | DATE | DWN | APVD |
| | - | SEE SHEET 1 | - | - | - |

POLARIZATION TYPES

POLARIZATION TYPE "A" POLARIZATION TYPE "B" POLARIZATION TYPE "C"



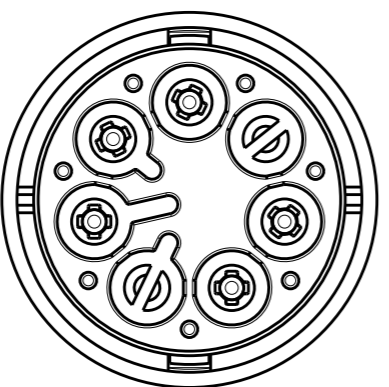
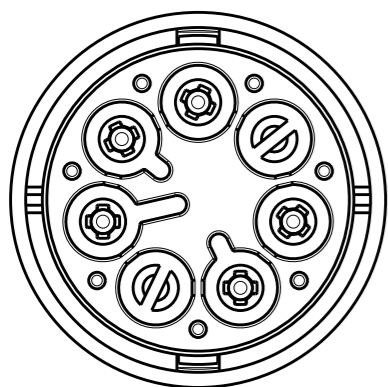
PN 0-293695-1

PN 0-293695-2

PN 0-293695-3

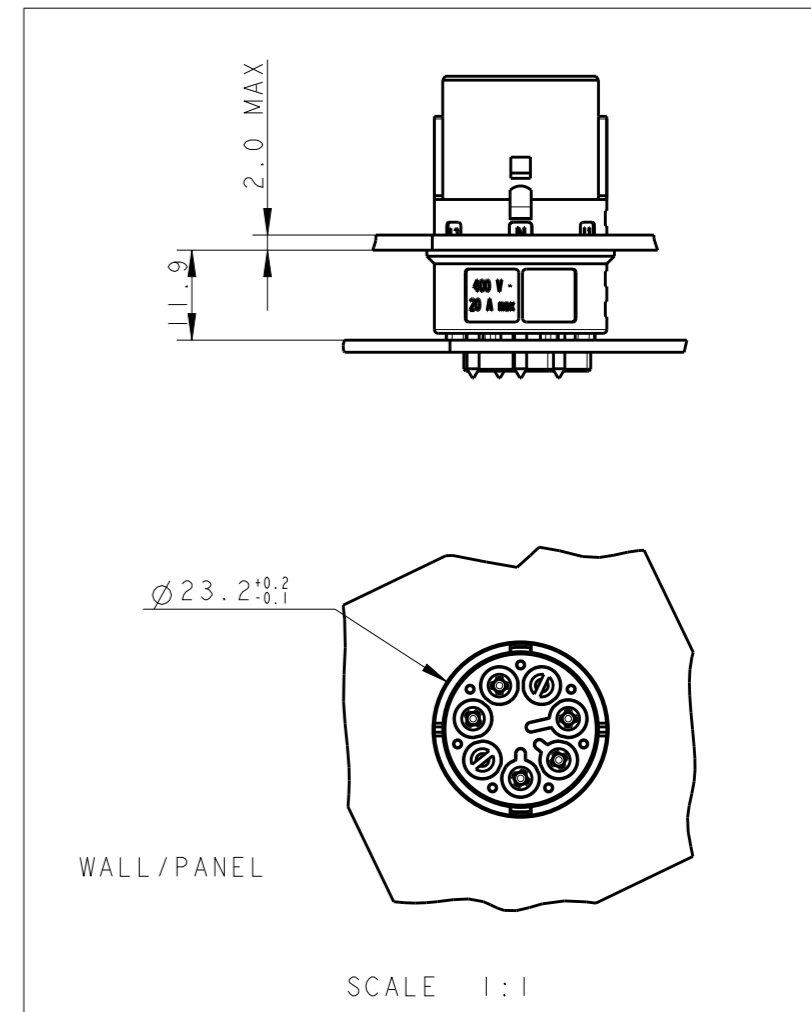
POLARIZATION TYPE "D"

POLARIZATION TYPE "E"



PN ~~0-293695-4~~

PN ~~0-293695-5~~



| | | | | | | |
|----------|--|-------------|---------|--|------|-----------------------|
| OBSOLETE | | E | NATURAL | PIN PCB CONNECTOR NECTOR* M-LINE 5 POLES | A | 0-293695-5 |
| | | D | NATURAL | PIN PCB CONNECTOR NECTOR* M-LINE 5 POLES | A | 0-293695-4 |
| | | C | NATURAL | PIN PCB CONNECTOR NECTOR* M-LINE 5 POLES | A | 0-293695-3 |
| | | B | NATURAL | PIN PCB CONNECTOR NECTOR* M-LINE 5 POLES | A | 0-293695-2 |
| | | A | NATURAL | PIN PCB CONNECTOR NECTOR* M-LINE 5 POLES | A | 0-293695-1 |
| NOTE | | POL. KEYING | COLOUR | DESCRIPTION | REV. | PART NUMBER |

| | | | | |
|--|--|-------------------------------|--|--|
| THIS DRAWING IS A CONTROLLED DOCUMENT. | | DWN M. ZUCCA 04APR2011 | TE Connectivity | |
| DIMENSIONS: mm | | CHK M. ZUCCA 04APR2011 | | |
| | | APVD G. TURCO 04APR2011 | | |
| TOLERANCES UNLESS OTHERWISE SPECIFIED: | | PRODUCT SPEC | NAME PIN PCB CONNECTOR NECTOR* M-LINE 5 POLES | |
| 0 PLC ±- | | APPLICATION SPEC | SIZE CAGE CODE DRAWING NO RESTRICTED TO | |
| 1 PLC ±0.3 | | WEIGHT | A300779 C-293695 | |
| 2 PLC ±0.20 | | Customer Drawing | SCALE 2:1 SHEET 2 OF 2 REV A1 | |
| 3 PLC ±- | | | | |
| 4 PLC ±- | | | | |
| ANGLES ±3° | | | | |
| FINISH | | | | |

单击下面可查看定价，库存，交付和生命周期等信息

[>>TE Connectivity\(泰科\)](#)