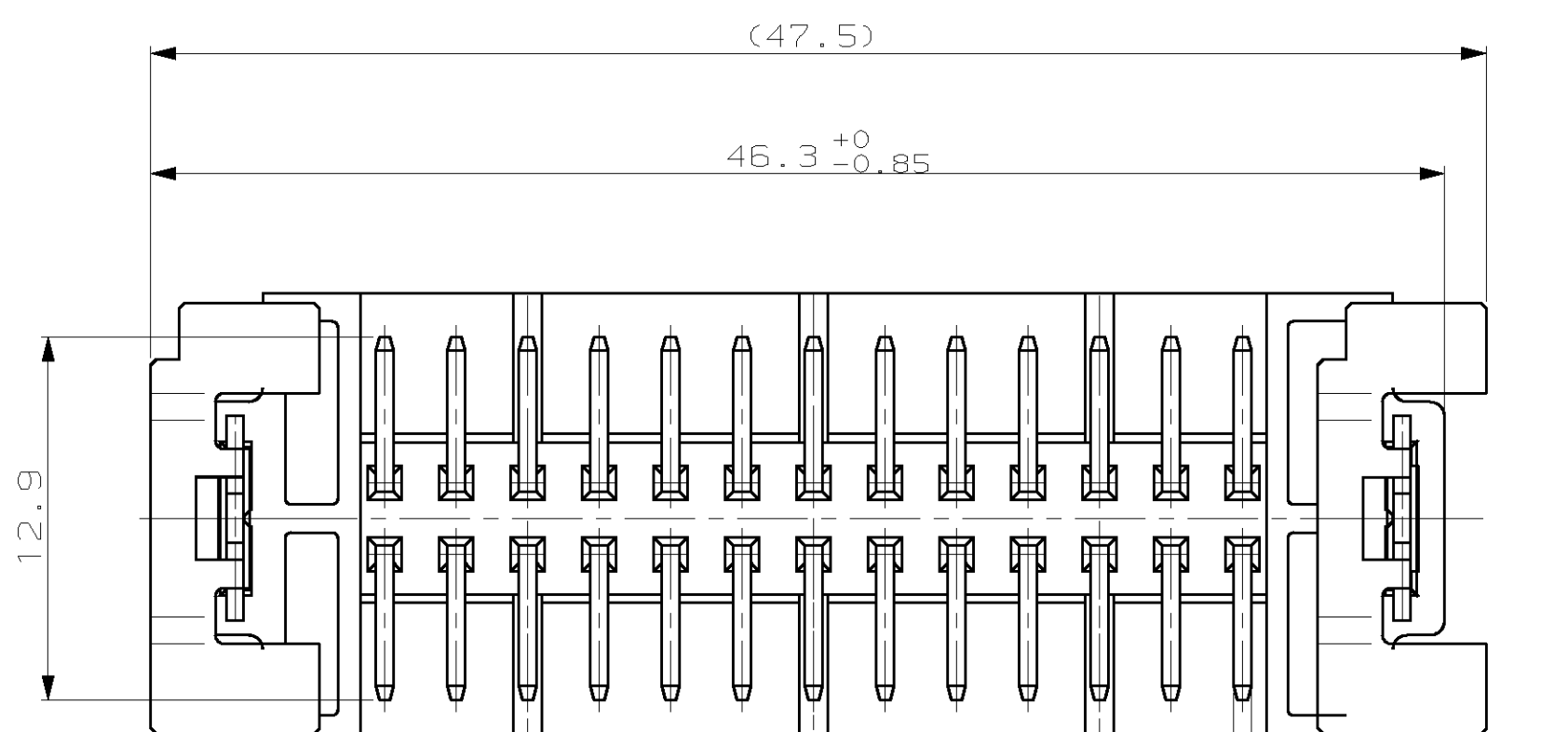


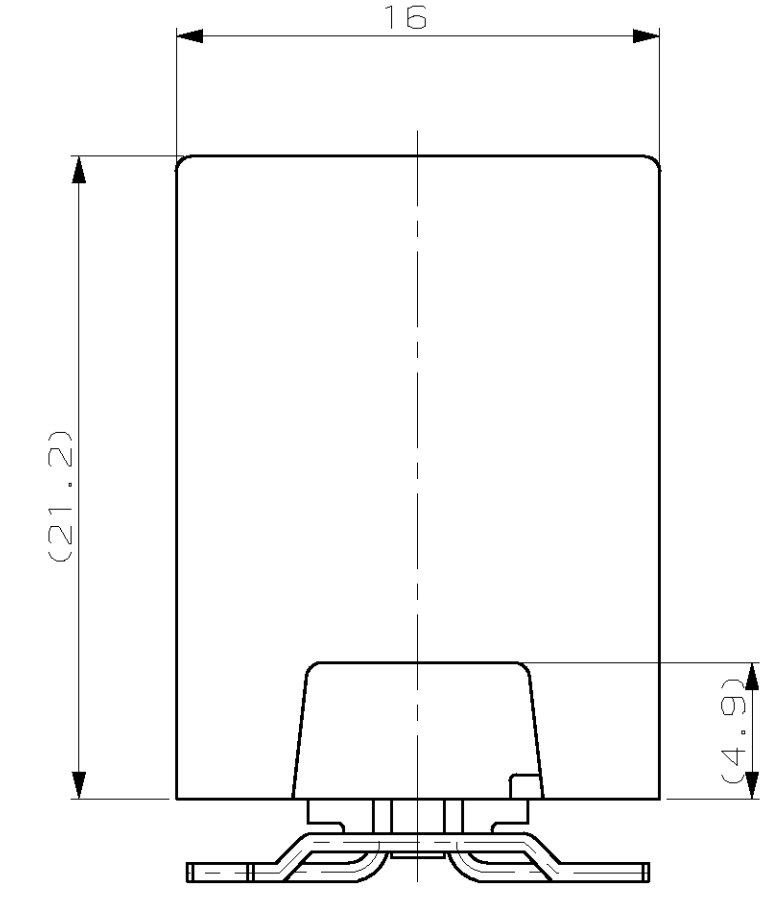
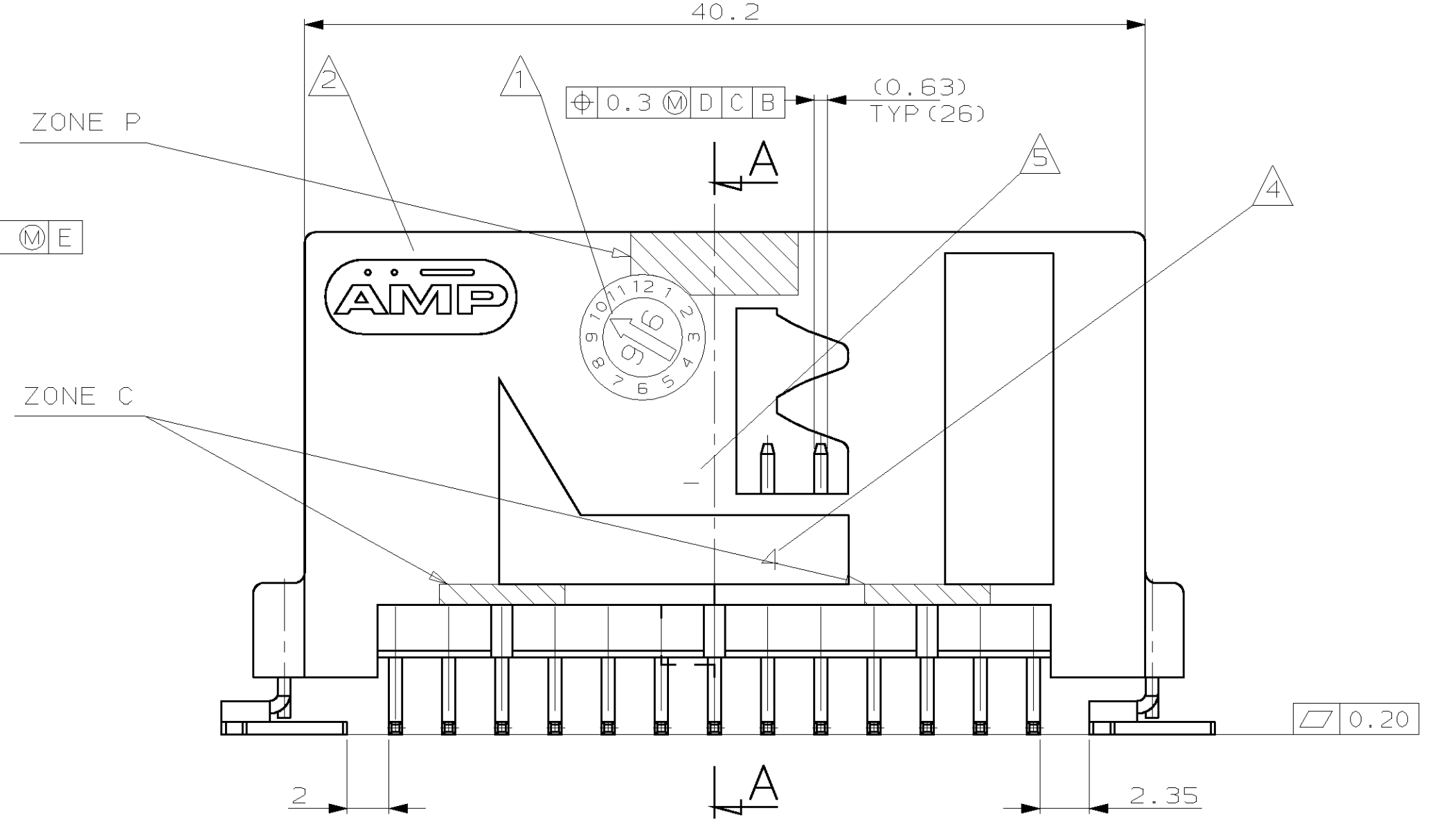
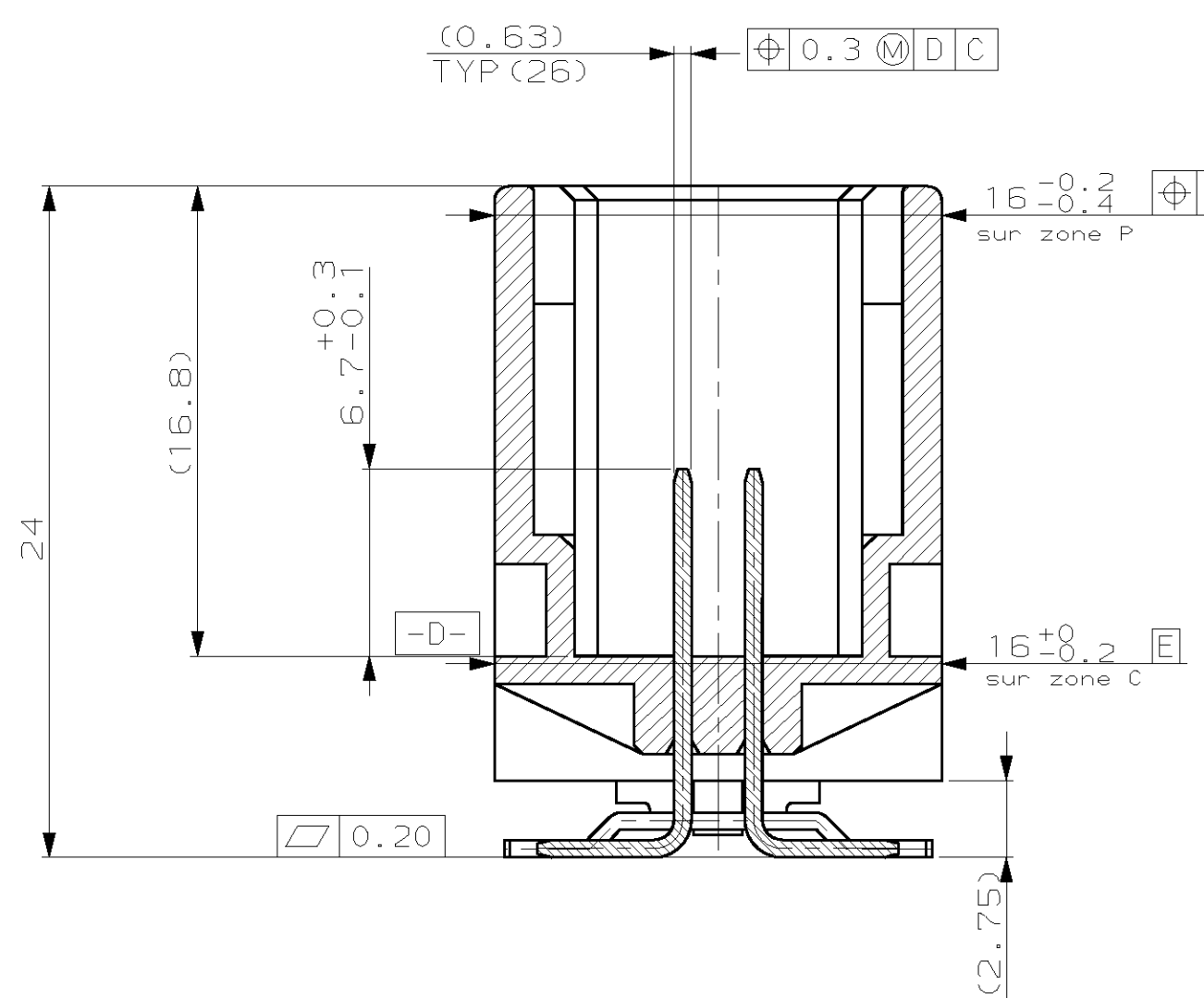
LOG	DIST	REVISIONS				
F	7	TY	DESCRIPTION MODIFICATIONS	DATE	OWN DES.	APPROV.
-	-	H	ADD SHEET 2 - ENGLISH VERSION	26-AUG-02	JLQ	-
-	-	-	-	-	-	-
-	-	-	-	-	-	-

INFORMATIONS CONDITIONNEMENT :
 ZONE P : ZONE DE PRISE POUR POSE
 8 x 3 mm CENTREE SUR AXE PIECE
 ZONE C : ZONE DE CENTRAGE SUR PLATEAU
 2 FOIS 6 X 1 mm CENTREE SUR AXE NERVURES

Packaging information :
 Area P : area for picking
 8 x 3 mm centered on part axis
 Area C : area for positioning on tray
 2 times 6 x 1 mm centered on ribs

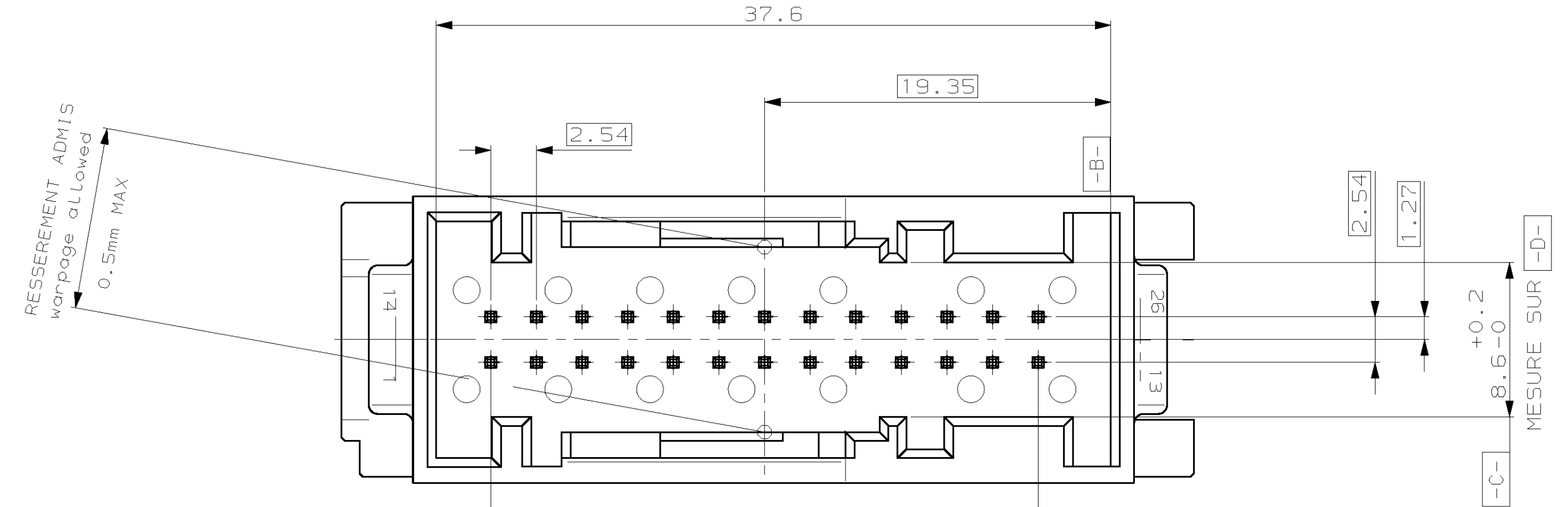


SECTION A-A
(COUPE A-A)

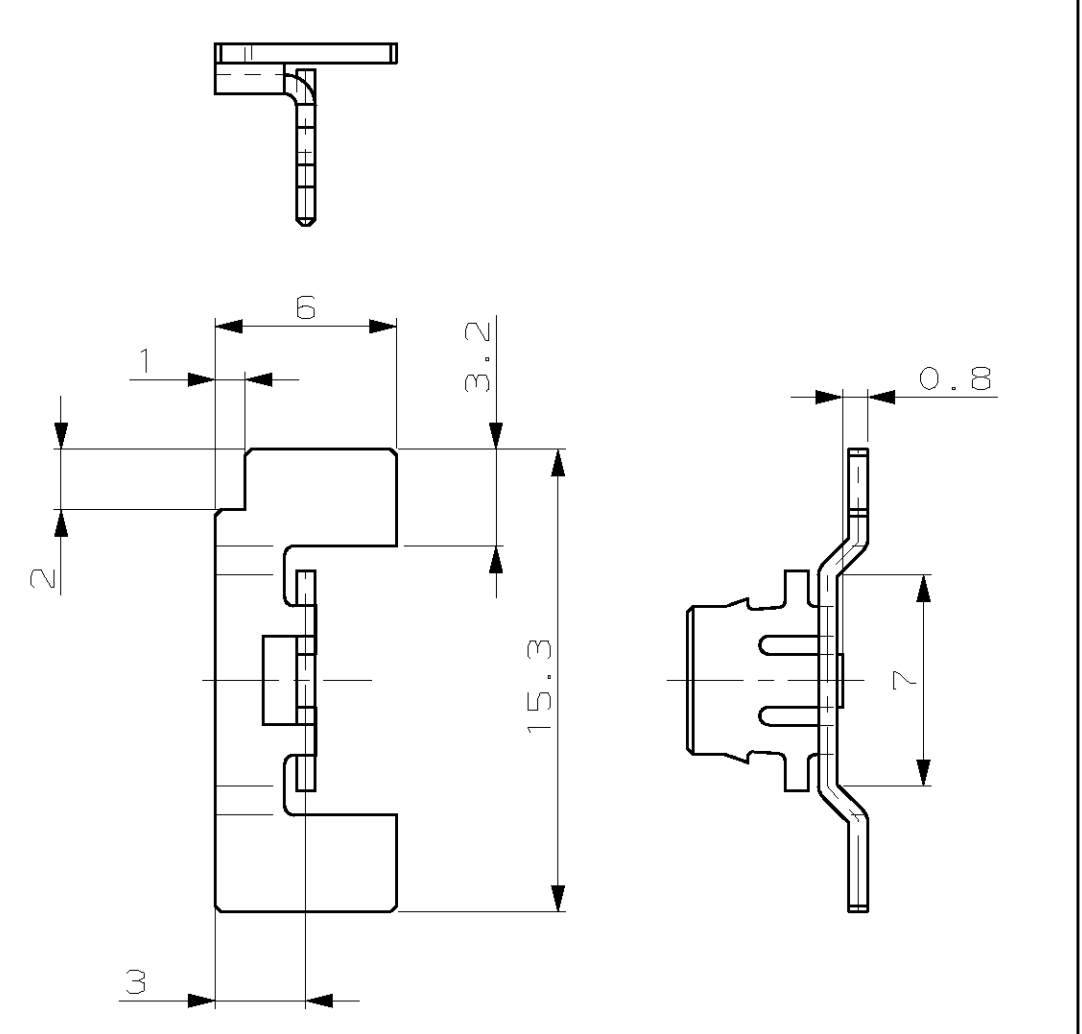


NOTES:
 1 DATE DE MOULAGE
 2 LOGO D'AMP
 3 REFERENCE DU PRODUIT ASSEMBLE
 4 N° D'EMPREINTE DU MOULE
 5 INDICE DE REVISION DU MOULE :
 6 MATIERE : PCT GF 30

NOTES:
 1 DATE CODE
 2 AMP LOGO
 3 ASSY PART NUMBER
 4 MOLD CAVITY MARKING
 5 MOLD REVISION STATUS
 6 MATERIAL : PCT GF 30



SEE OTHER VERSION BY QUANTITY ON SHEET 2/2



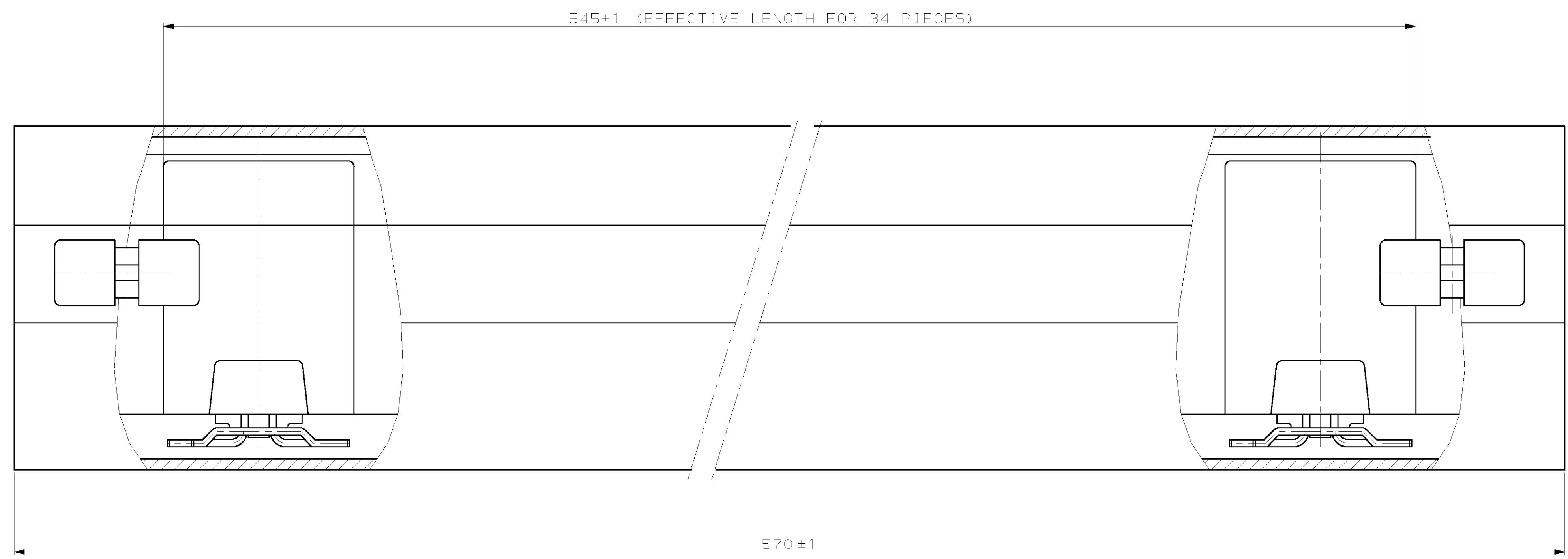
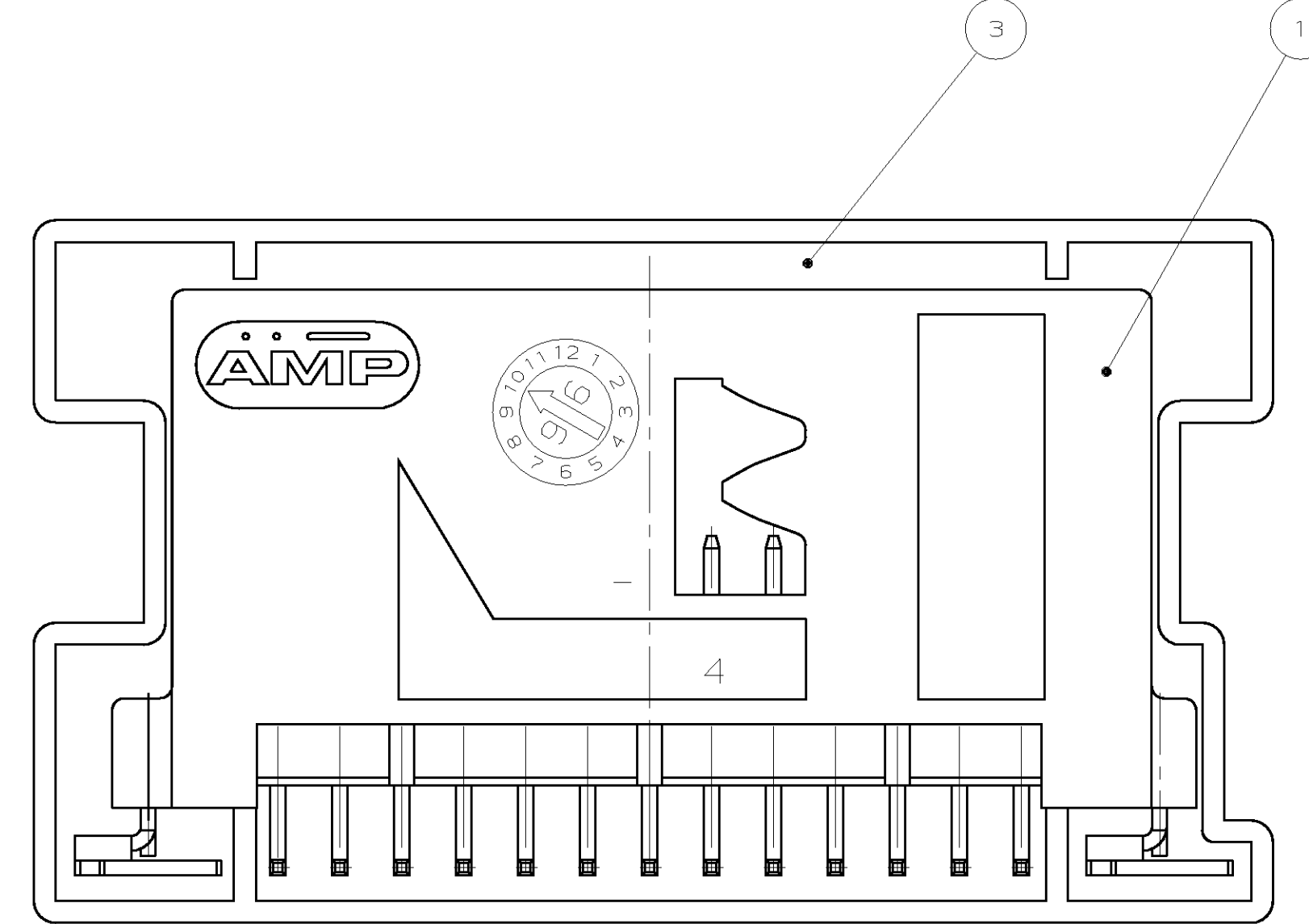
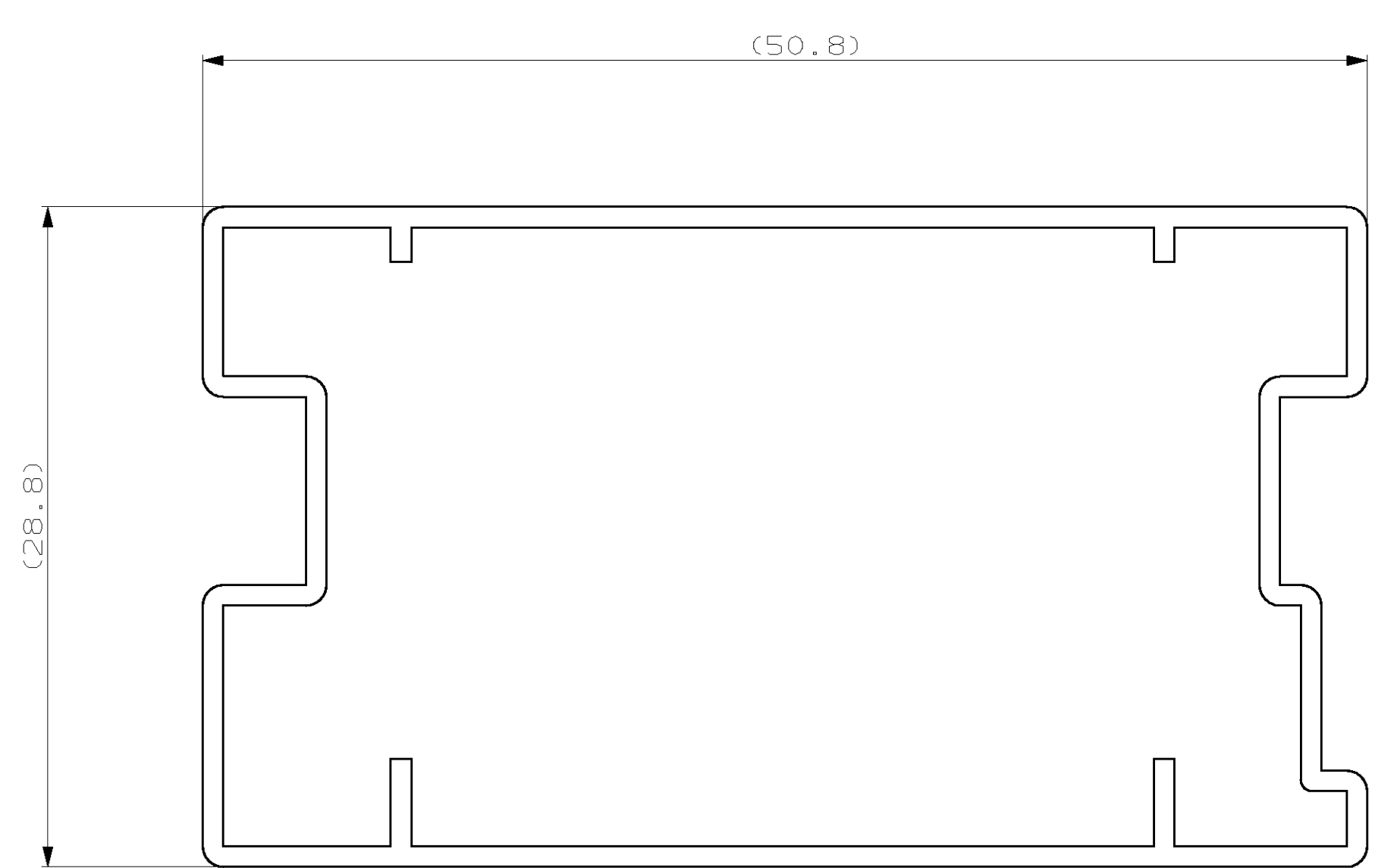
DEFINITION DE PATTE DE RETENTION
 design of the solder clip

REF / ASSY PN	DESCRIPTION	COLOR	P/N ASS'Y (reference-assemble)
185454-1	BLUE (bleu)	185454-2	
185454-2	YELLOW (jaune)	185454-1	
	CODING (Detrompage)	COLOR (Couleur)	P/N ASS'Y (reference-assemble)
2	2 CuZn30	PATTE / SOLDER CLIP	POST ETAME / POST TIN ④
26	26 CuSn6	MQS CONTACT	POST ETAME / POST TIN ③
-	1 PCT GF30	BOITIER / HOUSING	BLEU / BLUE ②
1	- PCT GF30	BOITIER / HOUSING	JAUNE / YELLOW ①
QTY	MATERIAL	DESIGNATION / NAME	COULEUR / COLOR

185454-1 AS SHOWN

THIS DRAWING IS A CONTROLLED DOCUMENT. CE PLAN EST UN DOCUMENT CONTROLE.		DWN/DESSINE: Dominick DURAND 05-SEP-97 CHK/VERIFIE: D. DURAND 17-NOV-95		AMP DE FRANCE 95301 PONTOISE	
DIMENSIONS: mm		TOLERANCES UNLESS OTHERWISE SPECIFIED: TOLERANCES NON SPECIFIEES (SUIV. NB. DE DECIMALES): FILE/DEC: +0.3 FILE/DEC: +0.3 FILE/DEC: +		PRODUCT SPEC: PRODUCT SPEC: 107-15171 APPLICATION SPEC: APPLICATION SPEC: 107-15343	
MATERIAL: MATIERE: -		FINISH FINITION: Voir tableau		WEIGHT: MASSE APPROX. 8.9g	
CUSTOMER DRAWING/PLAN CLIENT		UNIFORMITY: UNIFORMITE: 4:1		SCALE: ECHELLE: 1/1	
DRAWING NO: 00779		PART NO: 185454		SHEET: FEUILLE: 1 OF 2	

LOC	DIST	REVISIONS				
F	7	REV	DESCRIPTION	DATE	OWN	APPROV
-	-	-	MODIFICATIONS	-	-	-
-	-	-		-	-	-
-	-	-		-	-	-



CONNECTORS PACKAGED IN TUBES

REF / QTTY	6-185454-1	6-185454-2
1	1	1
-	34	34
34	-	-

SEE OTHER VERSIONS ON SHEET 1/2

QTY	COLOR / COULEUR	REF / ASSY PN	COMPONENT	REP.
1	CLEAR + GREEN PINS	-	EQUIPED PACKING TUBE (3)	
-	34 BLUE / BLEU	185454-2	26W PIN HEADER (2)	
34	- YELLOW / JAUNE	185454-1	26W PIN HEADER (1)	

THIS DRAWING IS A CONTROLLED DOCUMENT. CE PLAN EST UN DOCUMENT CONTROLÉ.		DW/DESSINE J. LAQUERBE 17-JUN-02		AMP DE FRANCE	
DIMENSIONS: mm		TOLERANCES UNLESS OTHERWISE SPECIFIED. TOLERANCES NON SPECIFIEES (SUIV. NB. DE DECIMALES): DIM./DEC: ±0.2 DIPLOC/DEC: ±0.3 SIPLOC/DEC: ±0.4 ANGLES: 45°		AMP DE FRANCE 95301 PONTOISE	
MATERIAL MATIERE		FINISH FINITION		NAME TITRE EMBASE 26 VOIES CMS 26 WAY SMT HEADER	
WEIGHT POIDS APPROX.:		FINISH FINITION		SIZE FORMAT A1	
CUSTOMER DRAWING/PLAN CLIENT		UNIFORMITY POUR REFERENCE		SCALE ECHELLE: 1	

单击下面可查看定价，库存，交付和生命周期等信息

[>>TE Connectivity\(泰科\)](#)