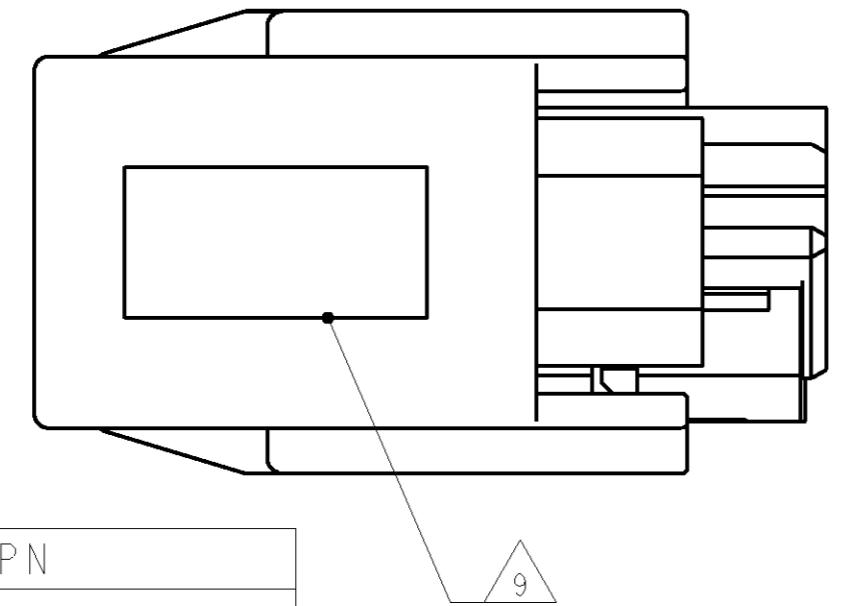
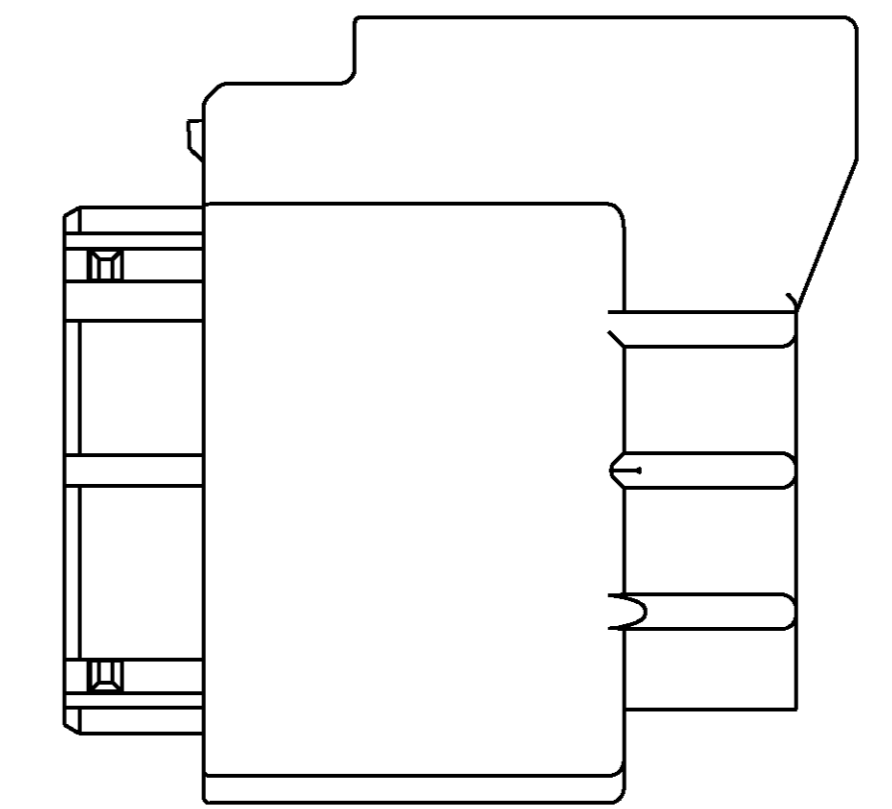
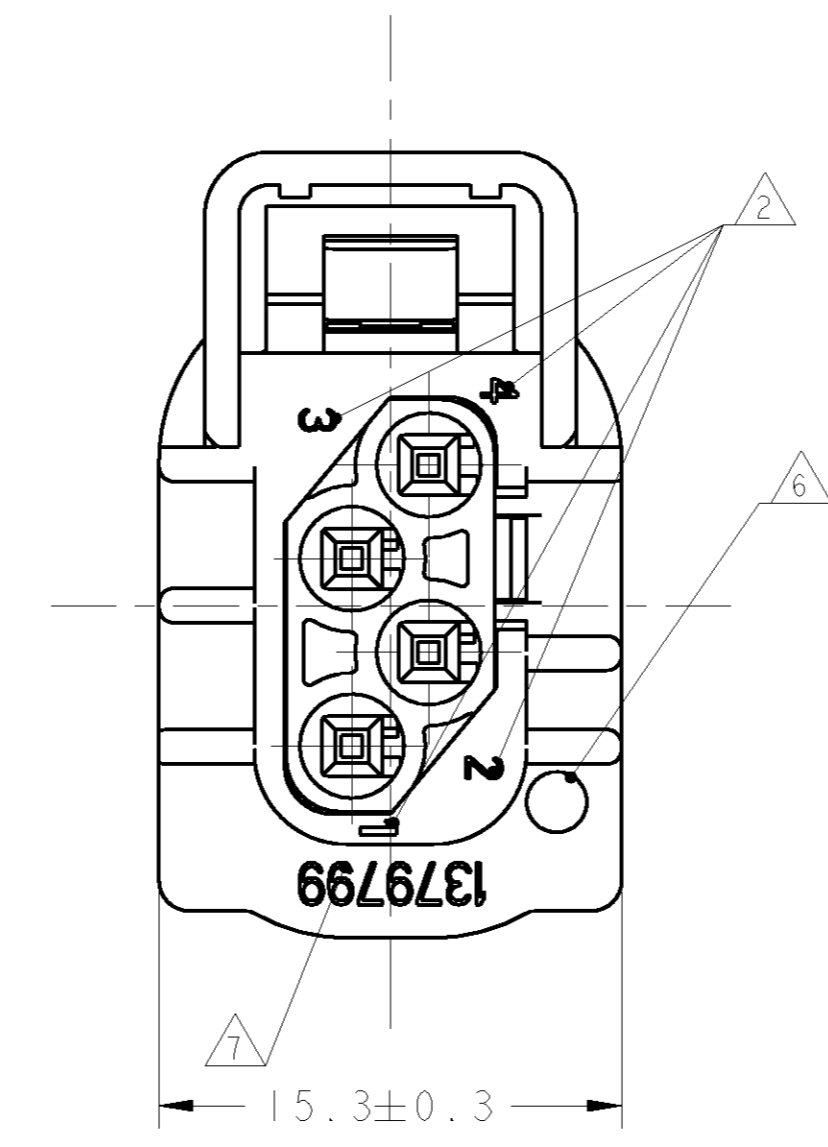
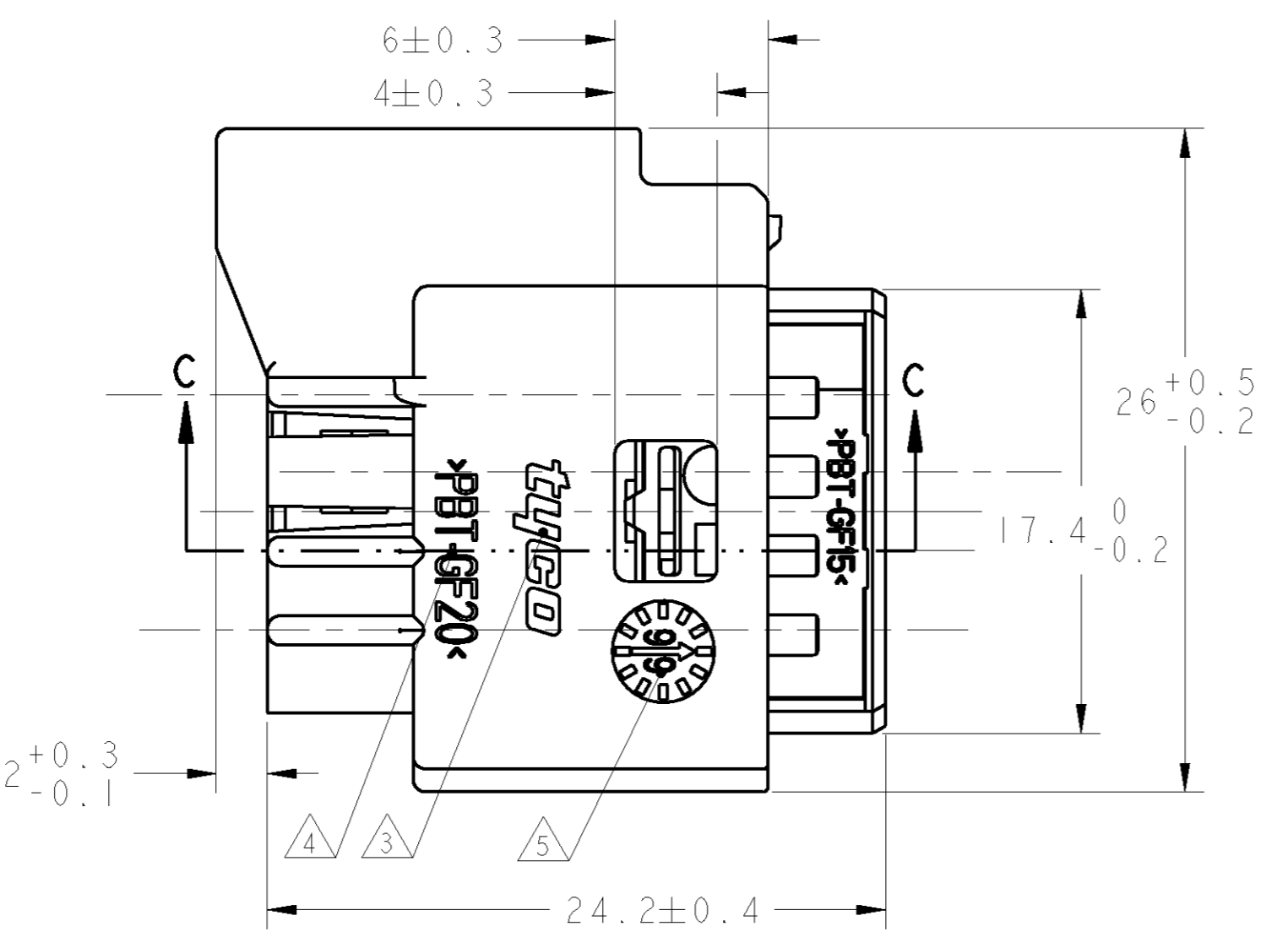
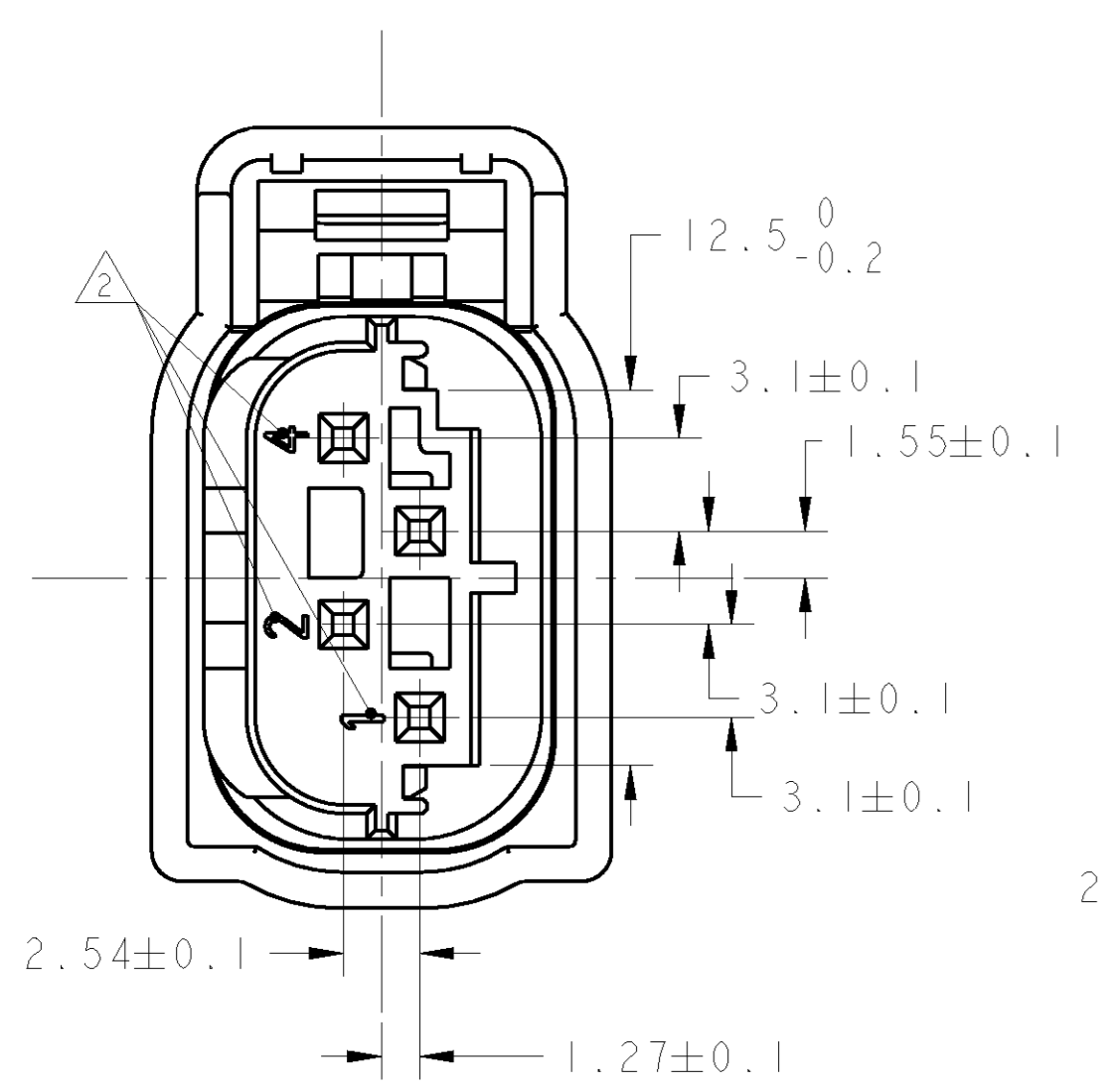
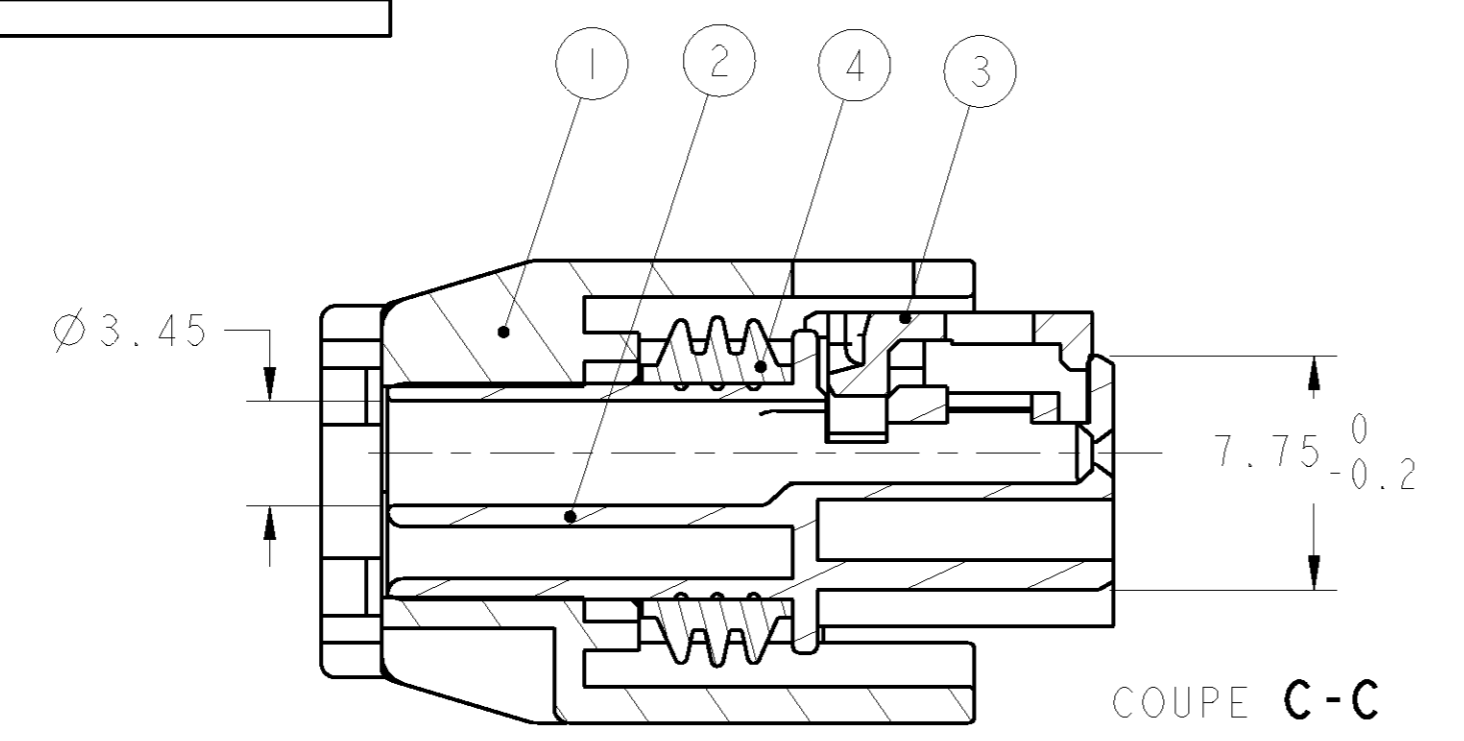
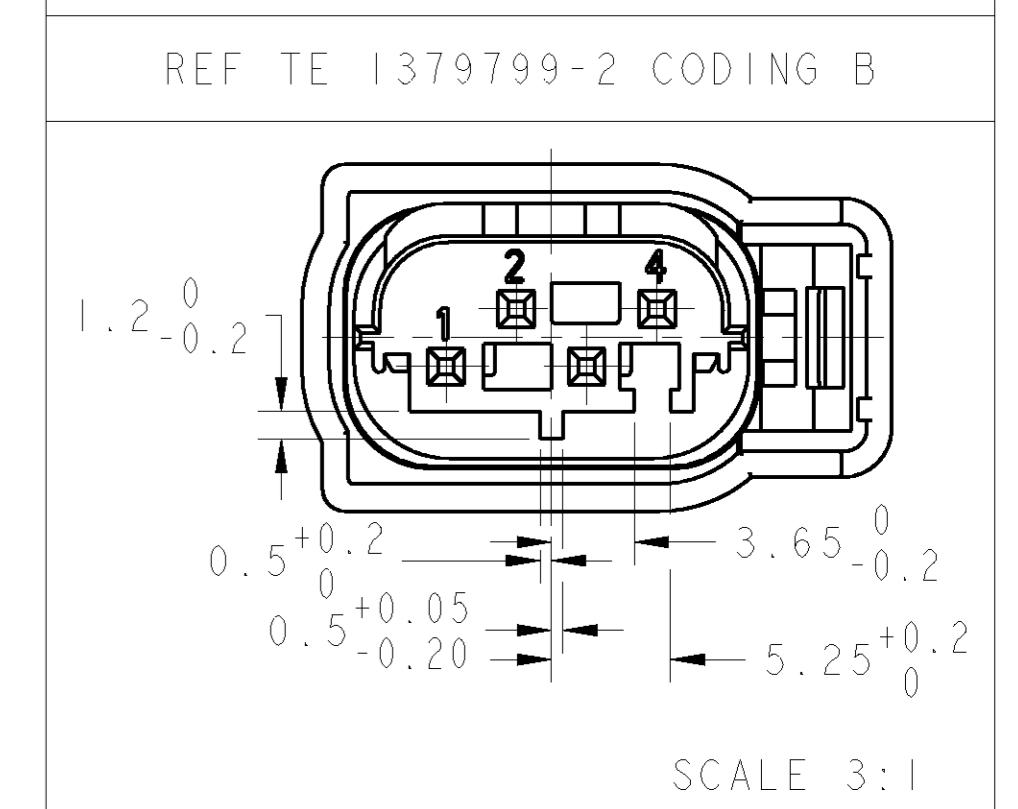
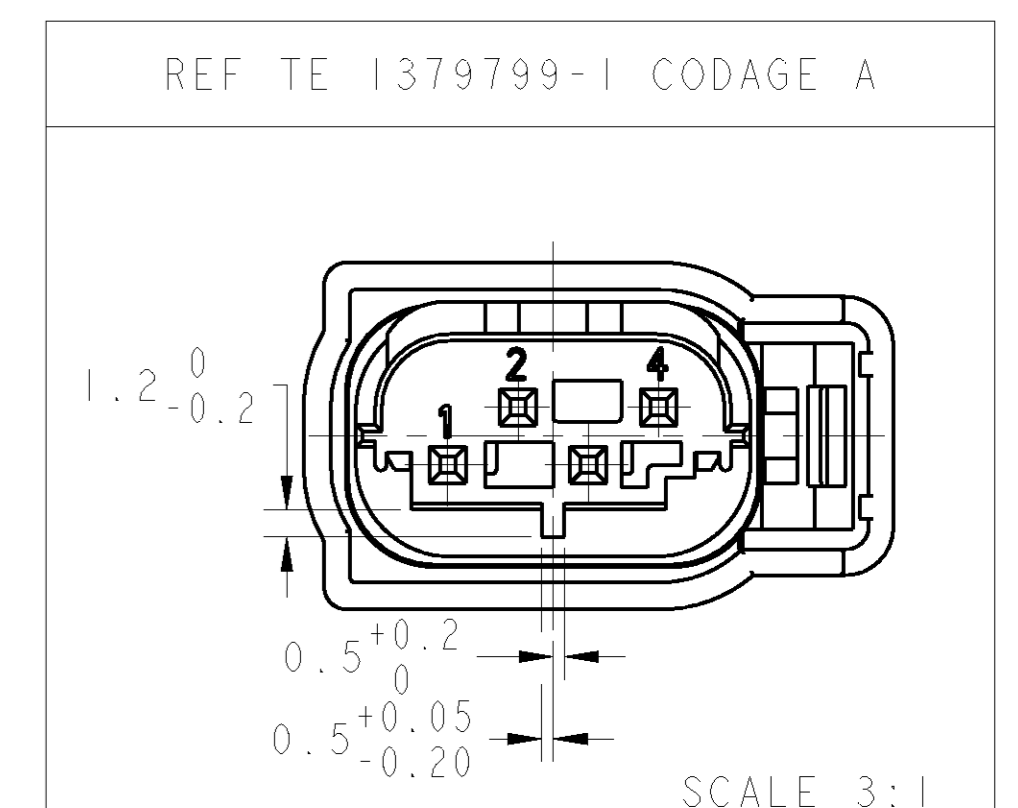


LOC	DIST	REVISIONS			
F	00	REV	DESCRIPTION	DATE	APPV
		B	0.2 sqmm wire suppressed for PN 962885-X	29OCT2007	MP EC

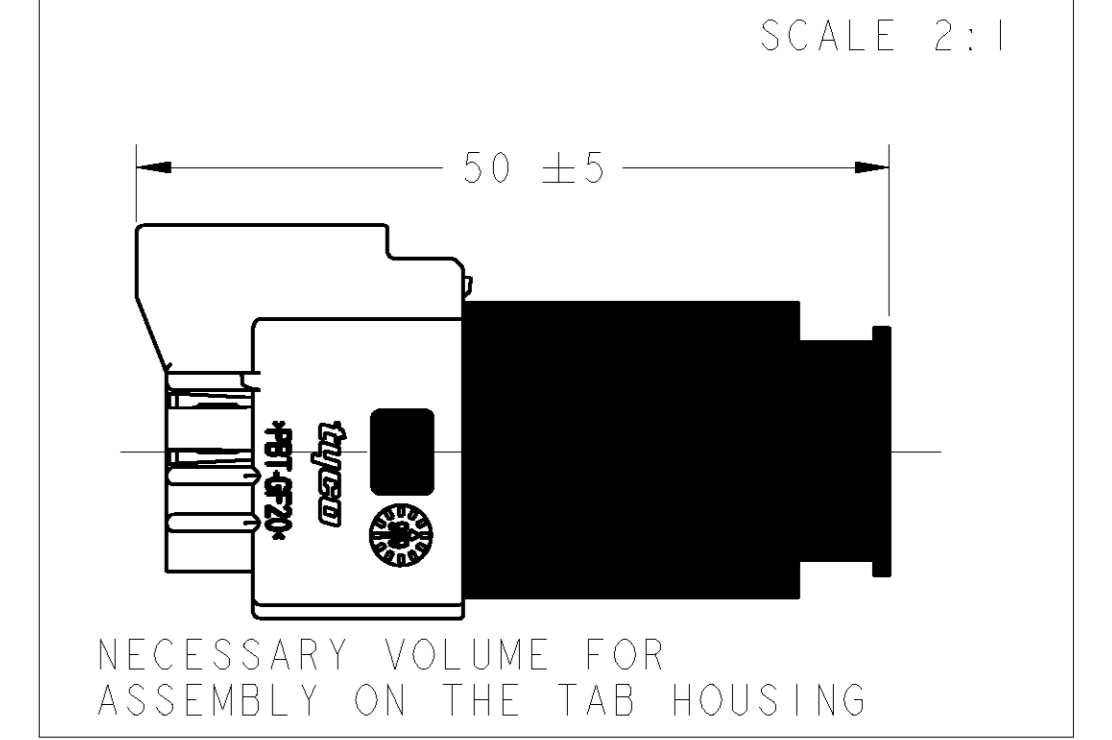
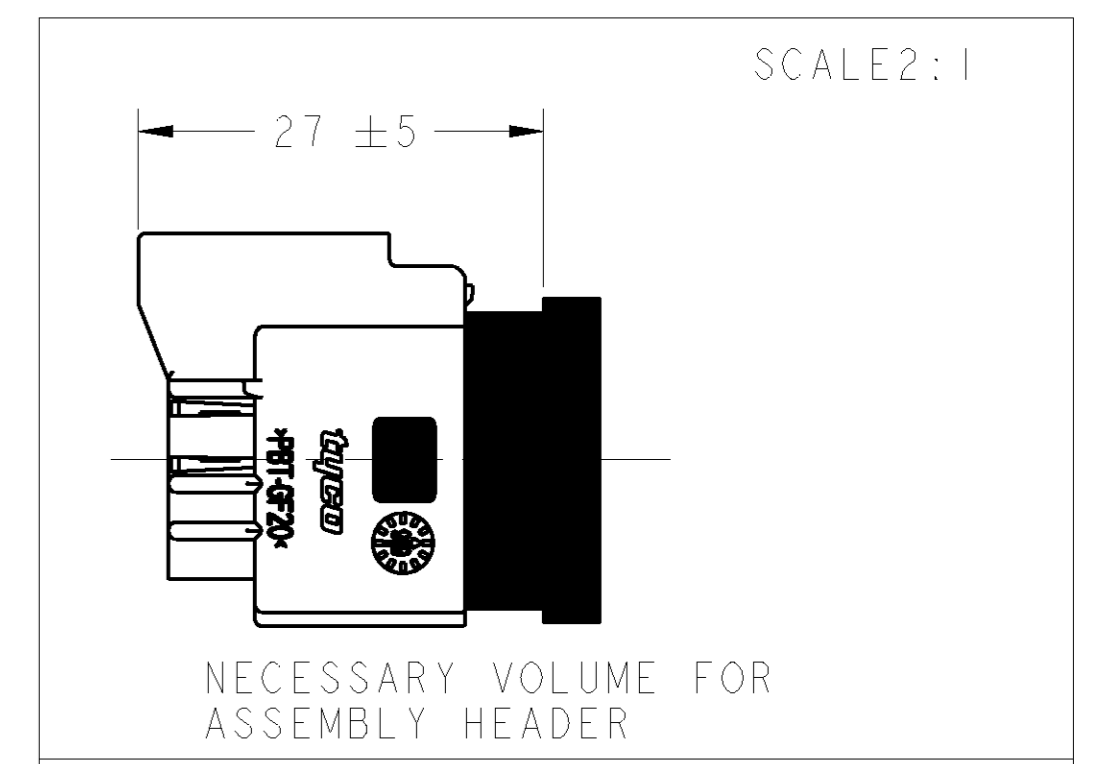


NOTA:
 1 - 1379799-1 AS SHOWN - CODING A
 2- CAVITY MARKING
 3- TE STAMP
 4- MATERIAL MARKING
 5- DATE CODE
 6- MOLD CAVITY MARKING
 7- TE PN
 8- INSTRUCTIONS SHEET 411-15670
 9- POSSIBLE AERA FOR ASSEMBLY DATE CODE
 10- PART USED WITH: SEE TABLE

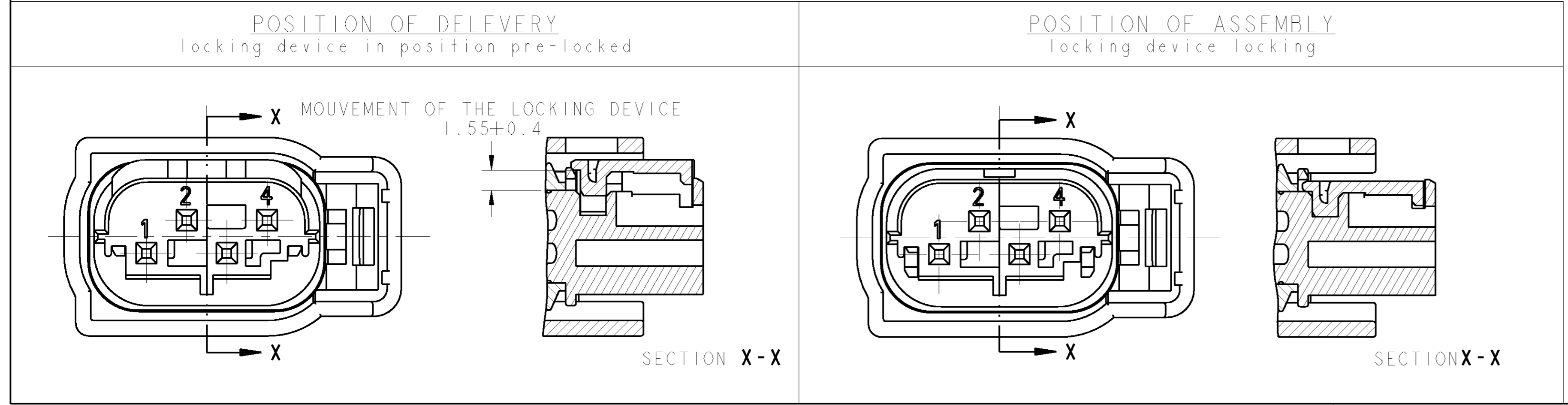


REP	DESIGNATION	MATERIAL	TE PN	
			1379799-1 CODING A	1379799-2 CODING B
1	COVER	PBT FG	BLACK	BLACK
2	SOCKET HOUSING	PBT FG	BLACK	GREY
3	LOCKING DEVICE	PBT FG	GREEN	GREEN
4	INTERFACE SEAL	SILICONE	ORANGE	ORANGE

SCALE 2:1



COMPONANT	REF TE
MQS SINGLE WIRE SEAL	967067-X
MQS CAVITY PLUG FOR CAVITY DIA 3.45mm	967056-X
MQS SOCKET CONTACT SINGLE WIRE SEALING FOR (B) 0.35 TO 0.5 mm ²	962885-X
MQS SOCKET CONTACT SINGLE WIRE SEALING FOR 0.5 TO 0.75 mm ²	965906-X



<p>THIS DRAWING IS THE PROPERTY OF TYCO ELECTRONICS CORPORATION. IT IS SUBJECT TO CHANGE AND IS NOT TO BE REPRODUCED OR TRANSMITTED IN ANY FORM OR BY ANY MEANS, ELECTRONIC OR MECHANICAL, INCLUDING PHOTOCOPYING, RECORDING, OR BY ANY INFORMATION STORAGE AND RETRIEVAL SYSTEM. ALL RIGHTS RESERVED. THIS DRAWING IS THE PROPERTY OF TYCO ELECTRONICS CORPORATION. IT IS SUBJECT TO CHANGE AND IS NOT TO BE REPRODUCED OR TRANSMITTED IN ANY FORM OR BY ANY MEANS, ELECTRONIC OR MECHANICAL, INCLUDING PHOTOCOPYING, RECORDING, OR BY ANY INFORMATION STORAGE AND RETRIEVAL SYSTEM. ALL RIGHTS RESERVED.</p>		<p>DATE: 17 JAN 2006</p> <p>APPROVED BY: X-ROUILLARD</p> <p>APPROVED BY: J. DANIELO</p>	<p>Tyco Electronics France SAS 95300 Pontoise, France</p>
<p>DIMENSIONS: mm</p> <p>TOLERANCES UNLESS OTHERWISE SPECIFIED: mm (IN DECIMALS):</p> <ul style="list-style-type: none"> 0-1.50 DEC ±0.2 1.50-2.50 DEC ±0.2 2.50-5.00 DEC ±0.2 5.00-10.00 DEC ±0.3 10.00-25.00 DEC ±0.4 25.00-50.00 DEC ±0.5 	<p>FINISH: 4*</p> <p>WEIGHT: APPROX. 5g</p> <p>MATERIAL: -</p>	<p>PRODUCT SPEC: PRODUIT 108-15286</p> <p>APPLICATION SPEC: APPLICATION</p> <p>FORMA: A</p> <p>00779 ©=1379799</p>	<p>NAME: MQS, SOCKET HOUSING SEALED 4 POS ASSY</p> <p>SCALE: 4:1</p> <p>SHEET OF: 1</p> <p>REV: B</p>

单击下面可查看定价，库存，交付和生命周期等信息

[>>TE Connectivity\(泰科\)](#)