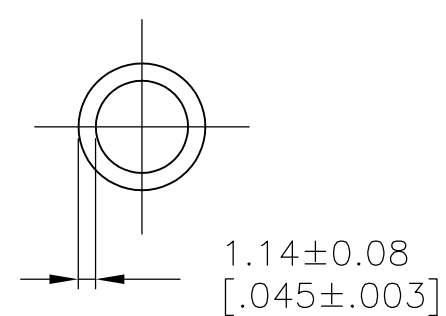
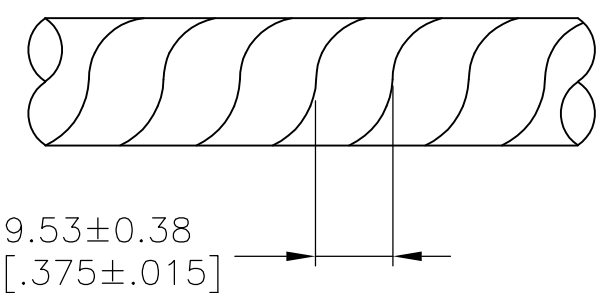


THIS DRAWING IS UNPUBLISHED. RELEASED FOR PUBLICATION
 © COPYRIGHT - BY TYCO ELECTRONICS CORPORATION. ALL RIGHTS RESERVED.

LOC	DIST	REVISIONS					
		P	LTR	DESCRIPTION	DATE	DWN	APVD
CM	0		AJ2	ECO-06-017742	27JUL06	BSV	DC
			AJ3	REVISED PER ECO-09-021510	10SEP09	KK	AEG



1. MAX BUNDLE RANGE: 4.78[.188] TO 50.80[2.000].
2. WEIGHT PER 304.8M[1000ft]: 5.22kg[11.5lb].
3. OVERALL LENGTH TO BE WITHIN +1 Ft -0 Ft.
4. ONE SPLICE PER BOX IS ALLOWABLE.
5. OBSOLETE PARTS: OBSOLETE CIS STREAMLINING PER D.RENAUD/D.SINISI

SUBSIDIARY USE ONLY	LENGTH	COLOR	PART NUMBER
	30.48M [100 FT] BOX	BLACK	500030-2-5
	15.24M [50 FT] BOX	BLACK	500030-1

THIS DRAWING IS A CONTROLLED DOCUMENT.		DWN W.CHANDLER 03JAN94	Tyco Electronics Corporation Harrisburg, PA 17105-3608			
DIMENSIONS: mm [INCHES]		CHK W.CHANDLER 03JAN94				
		APVD W.CHANDLER 03JAN94	NAME SPIRAP, POLYETHYLENE, OUTDOOR, 1/4 INCH DIAMETER			
MATERIAL POLYETHYLENE		PRODUCT SPEC -	SIZE A3	CAGE CODE 00779	DRAWING NO C-500030	RESTRICTED TO -
FINISH -		APPLICATION SPEC -	SCALE 2:1		SHEET 1 OF 1	REV AJ3
		WEIGHT -	CUSTOMER DRAWING			

单击下面可查看定价，库存，交付和生命周期等信息

[>>TE Connectivity\(泰科\)](#)