

THIS DRAWING IS UNPUBLISHED.

RELEASED FOR PUBLICATION

ALL RIGHTS RESERVED.

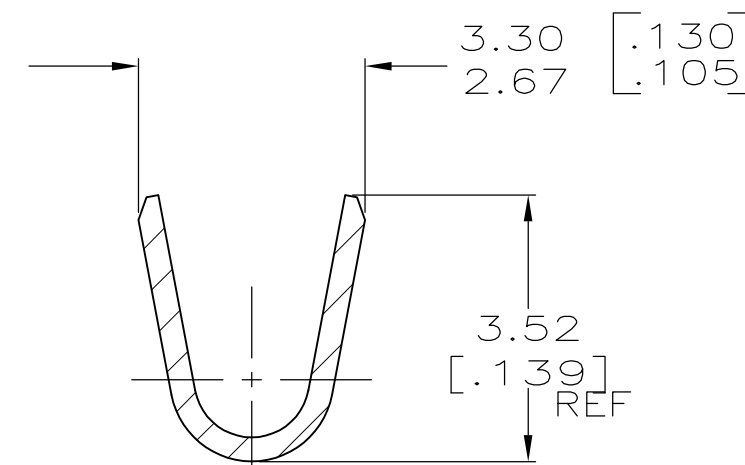
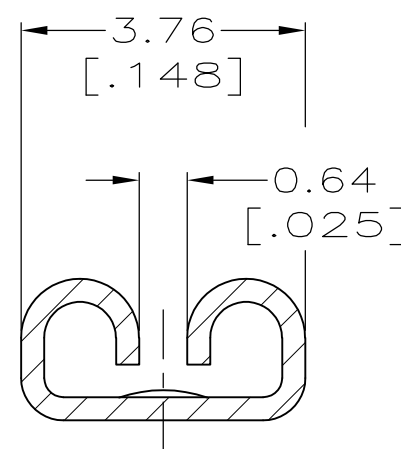
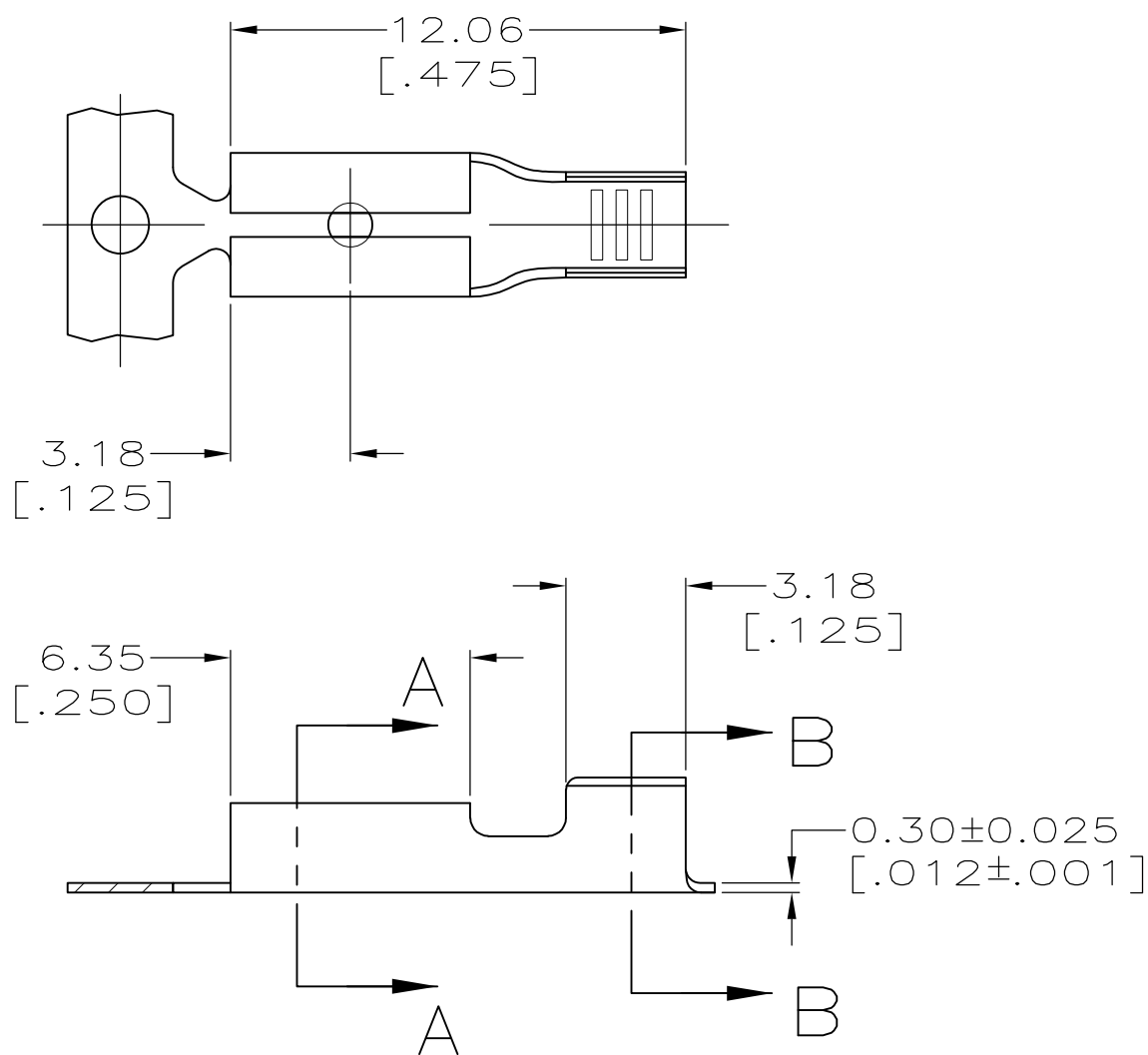
© COPYRIGHT - By -

LOC AF DIST 50

REVISIONS

P	LTR	DESCRIPTION	DATE	DWN	APVD
E		REVISED PER ECR-12-013459	27NOV2012	KH	PD

- 1 CONTINUOUS STRIP ON REELS.
- 2 ACCEPTS [#18-#14] WIRE SIZE.
- 3 MATING TAB TO BE 0.51 ± 0.025 [.020±.001] THK.



62474-1

PART NO.

THIS DRAWING IS A CONTROLLED DOCUMENT.		DWN JR RUTH 3/14/96	STE TE Connectivity		
DIMENSIONS: mm [INCHES]		CHK MS FEHER 3/14/96			
TOLERANCES UNLESS OTHERWISE SPECIFIED:		APVD P DESANTIS 3/14/96	NAME RECEPTACLE, FASTON, 2.79 [.110] SERIES		
0 PLC ± -		PRODUCT SPEC -	SIZE A3	CAGE CODE 00779	DRAWING NO C-62474
1 PLC ± -		APPLICATION SPEC 114-2036	RESTRICTED TO -		
2 PLC ± 0.38 [.015]		WEIGHT -	SCALE 5:1 SHEET 1 OF 1 REV E		
3 PLC ± -		CUSTOMER DRAWING			
4 PLC ± -					
ANGLES ± -					
MATERIAL BRASS	FINISH TIN				

单击下面可查看定价，库存，交付和生命周期等信息

[>>TE Connectivity\(泰科\)](#)