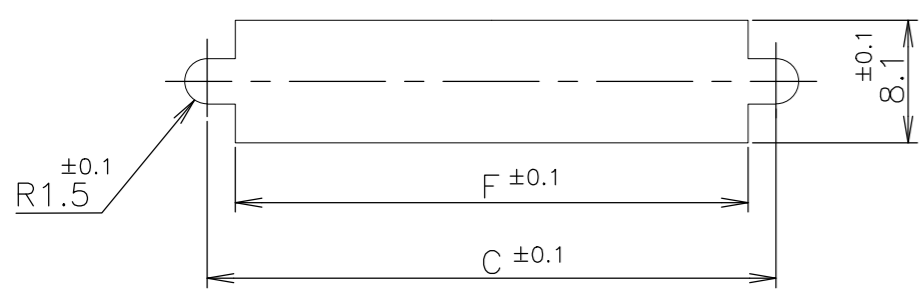
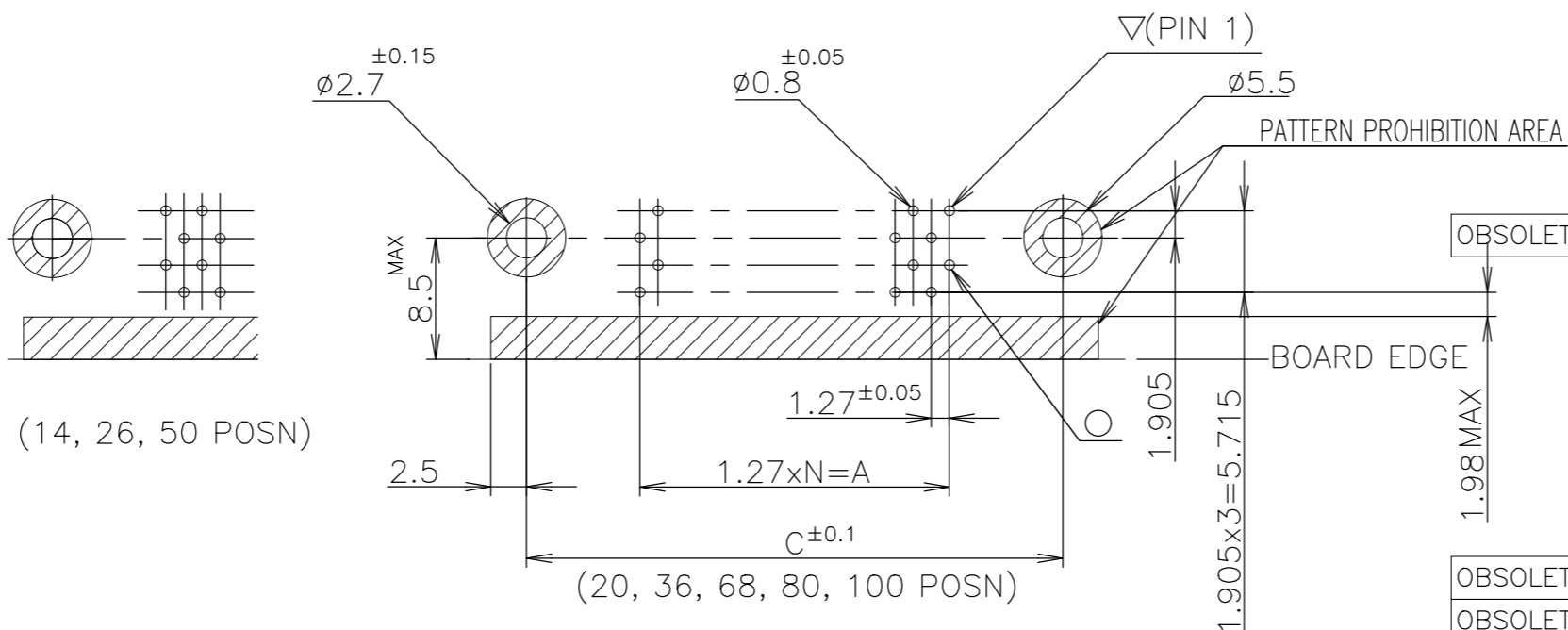
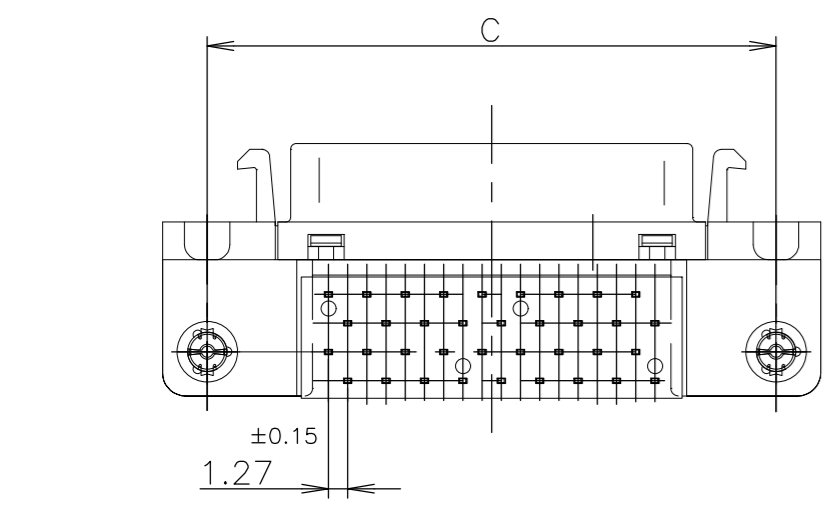
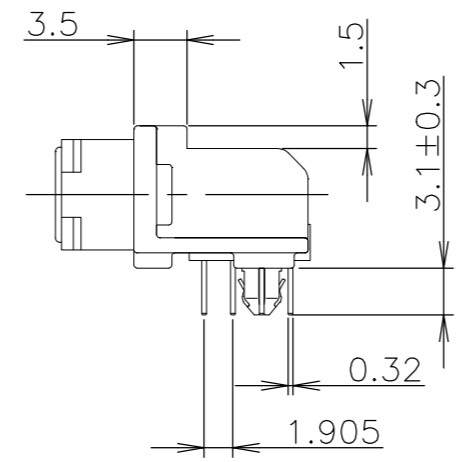
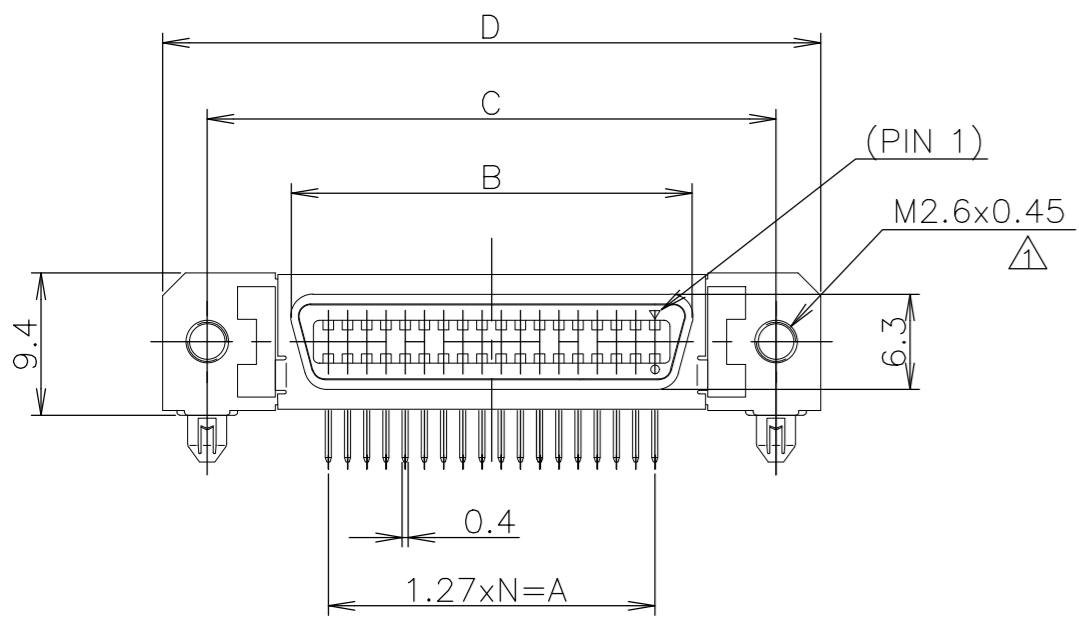
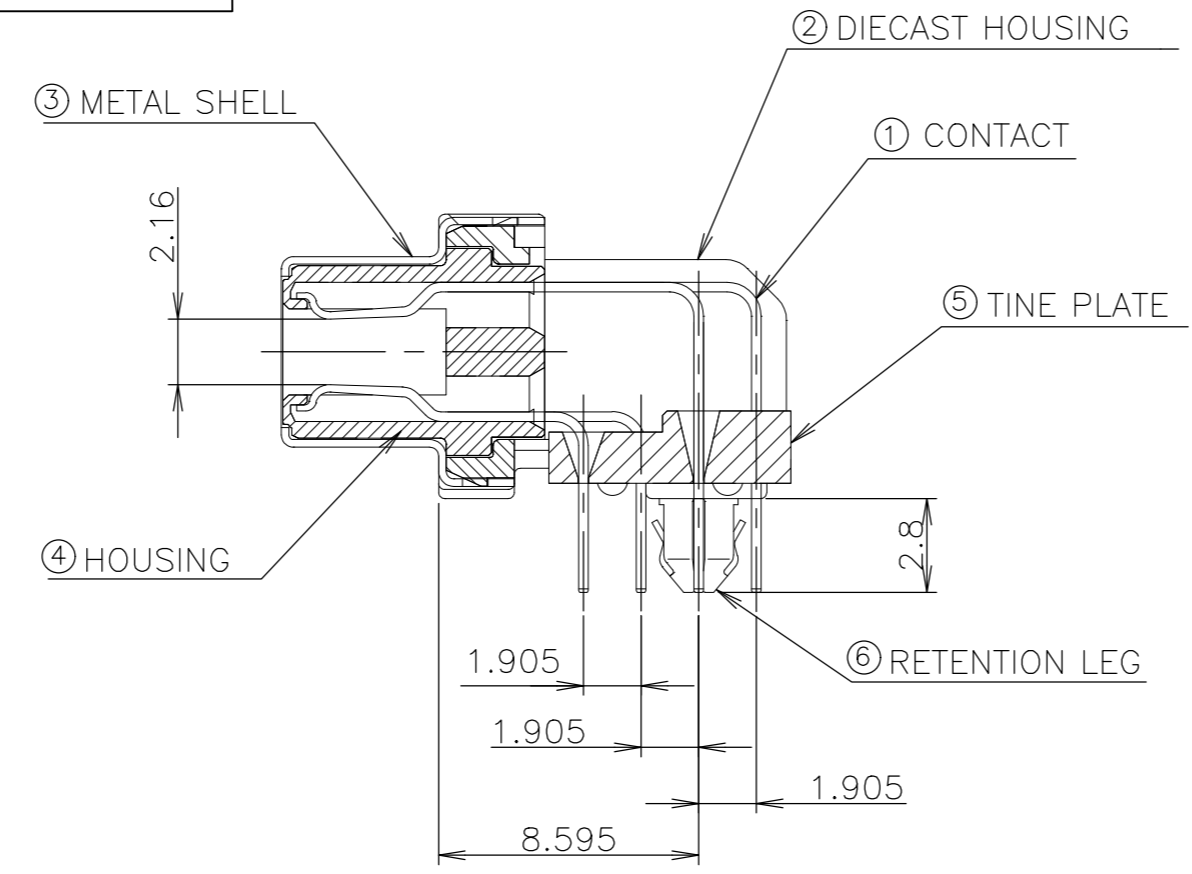
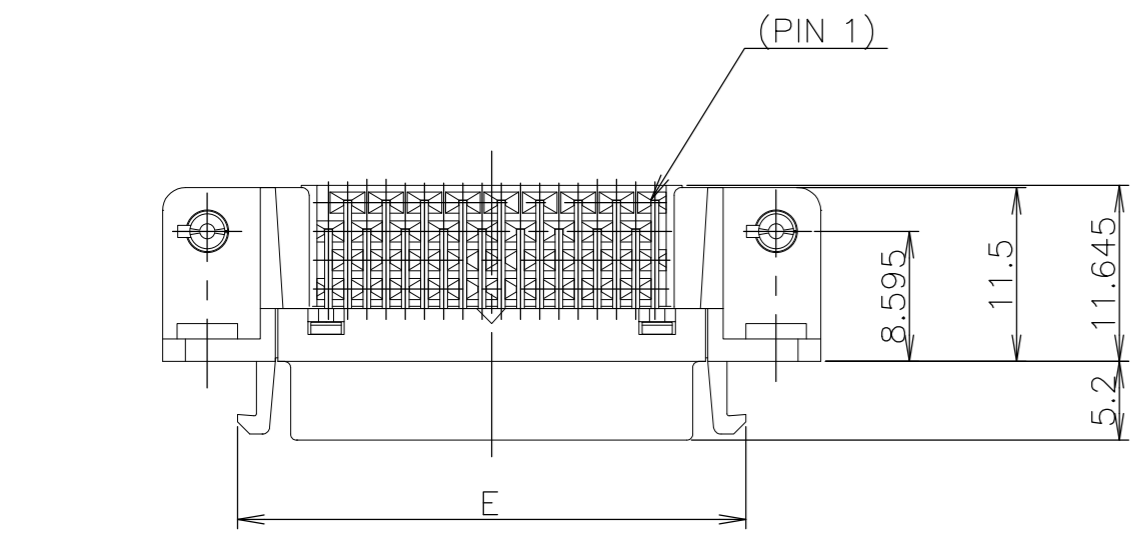


THIS DRAWING IS UNPUBLISHED. RELEASED FOR PUBLICATION SEP 2004
 © COPYRIGHT 2004 By - ALL RIGHTS RESERVED.

REVISIONS					
P	LTR	DESCRIPTION	DATE	DWN	APVD
C		REVISED PER ECO-19-008199	21JAN2020	VM	SH



RECOMENDED PANEL CUTOUT
THK,2mm MAX

RECOMMENDED PC BOARD
MOUNTING DIMMENSION
(COMPONENT SIDE)

LEAD FREE

- NOTES:
 1. RECOMMENDED SCREW SIZE ; M2.6 PANHEAD SCREW(L=5)
 2. RECOMMENDED P.C BOARD THICKNESS ; 1.6mm (REF)
 3. CONNECTOR TO BE MATED;175677
 4. INSERTION FORCE OF RETENTION LEG TO P.C.B; 21.56N(2.2kgf) MAX/CONNECTOR.
 5. RETENTIVITY OF RETENTION LEG TO P.C.B; 4.9N(0.5kgf) MIN/CONNECTOR.

ITEM	MATERIAL	FINISH
①	COPPER ALLOY	NICKEL UNDER PLATE ALL OVER CONTACT AREA ; Au(0.3u, 0.76u) SOLDER TINE AREA ; TIN PLATE
②	ZINC	NICKEL PLATING
③	STEEL t0.25	NICKEL PLATE OVER COPPER UNDERPLATE
④	THERMO-PLASTIC(UL:94V-0)	COLOR; BLACK
⑤		
⑥	COPPER ALLOY	TIN PLATE OVER NICKEL UNDERPLATE

	N	F	E	D	C	B	A	Au PLT.	POSITION	PART NO.
OBSOLETE	-39	61.9	61.55	71.45	65.55	54.53	49.53	0.76um	80	3-5178238-0
	49	74.6	74.25	84.15	78.25	67.23	62.23	0.76um	100	2-5178238-9
	33	54.2	53.93	63.83	57.93	46.91	41.91	0.76um	68	2-5178238-8
	24	42.8	42.50	52.40	46.50	35.48	30.48	0.76um	50	2-5178238-7
	17	33.9	33.61	43.51	37.61	26.59	21.59	0.76um	36	2-5178238-5
	12	27.6	27.26	37.16	31.26	20.24	15.24	0.76um	26	2-5178238-4
	9	23.8	23.45	33.35	27.45	16.43	11.43	0.76um	20	2-5178238-2
	6	19.9	19.64	29.54	23.64	12.62	7.62	0.76um	14	2-5178238-1
OBSOLETE	-39	61.9	61.55	71.45	65.55	54.53	49.53	0.3 um	80	1-5178238-0
OBSOLETE	-49	74.6	74.25	84.15	78.25	67.23	62.23	0.3 um	100	5178238-9
	33	54.2	53.93	63.83	57.93	46.91	41.91	0.3 um	68	5178238-8
	24	42.8	42.50	52.40	46.50	35.48	30.48	0.3 um	50	5178238-7
	17	33.9	33.61	43.51	37.61	26.59	21.59	0.3 um	36	5178238-5
	12	27.6	27.26	37.16	31.26	20.24	15.24	0.3 um	26	5178238-4
	9	23.8	23.45	33.35	27.45	16.43	11.43	0.3 um	20	5178238-2
	6	19.9	19.64	29.54	23.64	12.62	7.62	0.3 um	14	5178238-1

THIS DRAWING IS A CONTROLLED DOCUMENT.

DIMENSIONS: mm	TOLERANCES UNLESS OTHERWISE SPECIFIED: 0 PLC ± 0.2 1 PLC ± 0.2 2 PLC ± 0.2 3 PLC ± 0.2 4 PLC ± 0.2 ANGLES ± 3°	DWN T.KAWAMAE 13DEC04 CHK I.ENOMOTO 13DEC04 APVD I.ENOMOTO 13DEC04 PRODUCT SPEC 108-5288 APPLICATION SPEC	NAME RECEPTACLE HDR ASSY (3.1mm) RETENTION LEG TYPE STANDARD CHAMP.050 SERIES (II)
MATERIAL SEE TABLE	FINISH SEE TABLE	WEIGHT 0.000000 CUSTOMER DRAWING	SIZE A2 CAGE CODE 00779 DRAWING NO. C=5178238 RESTRICTED TO
		SCALE 2:1	SHEET 1 OF 1 REV C

TE Connectivity Ltd.

单击下面可查看定价，库存，交付和生命周期等信息

[>>TE Connectivity\(泰科\)](#)