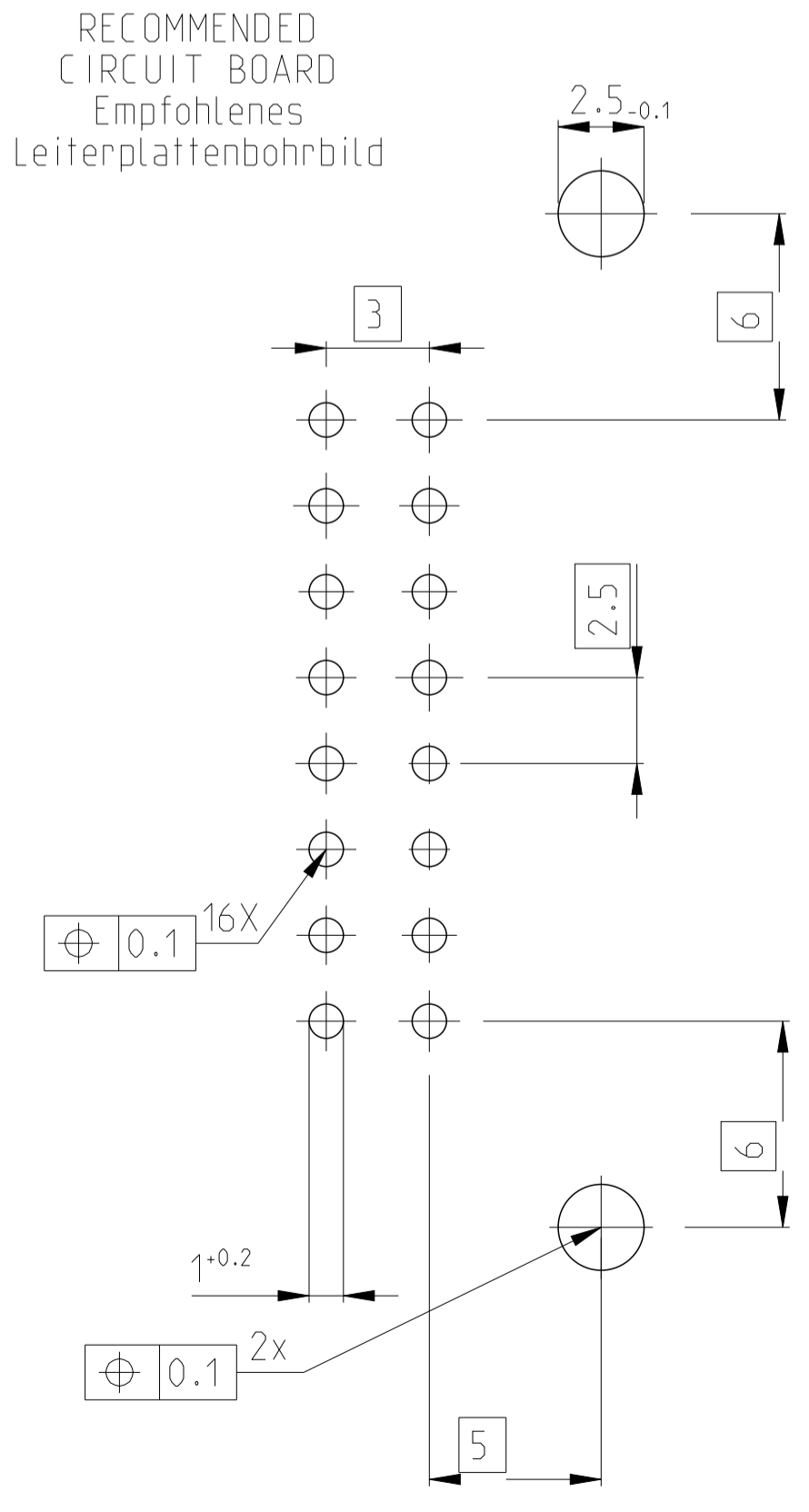
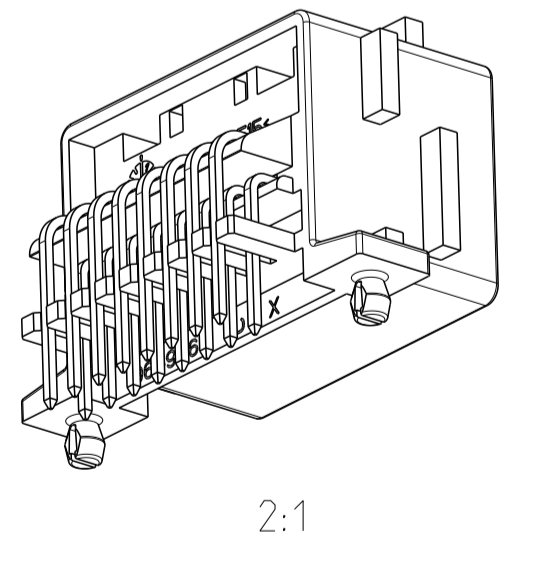
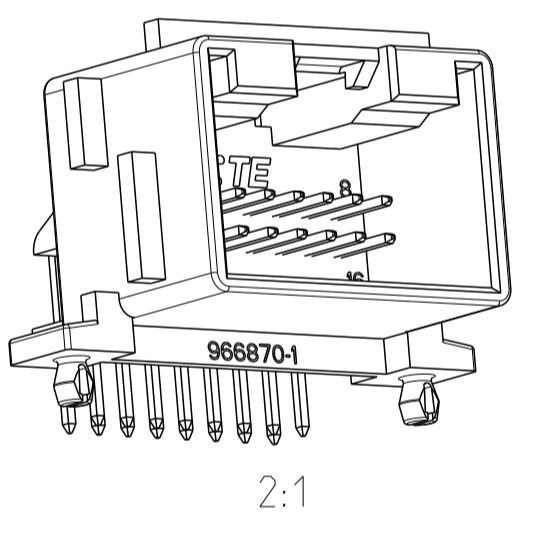
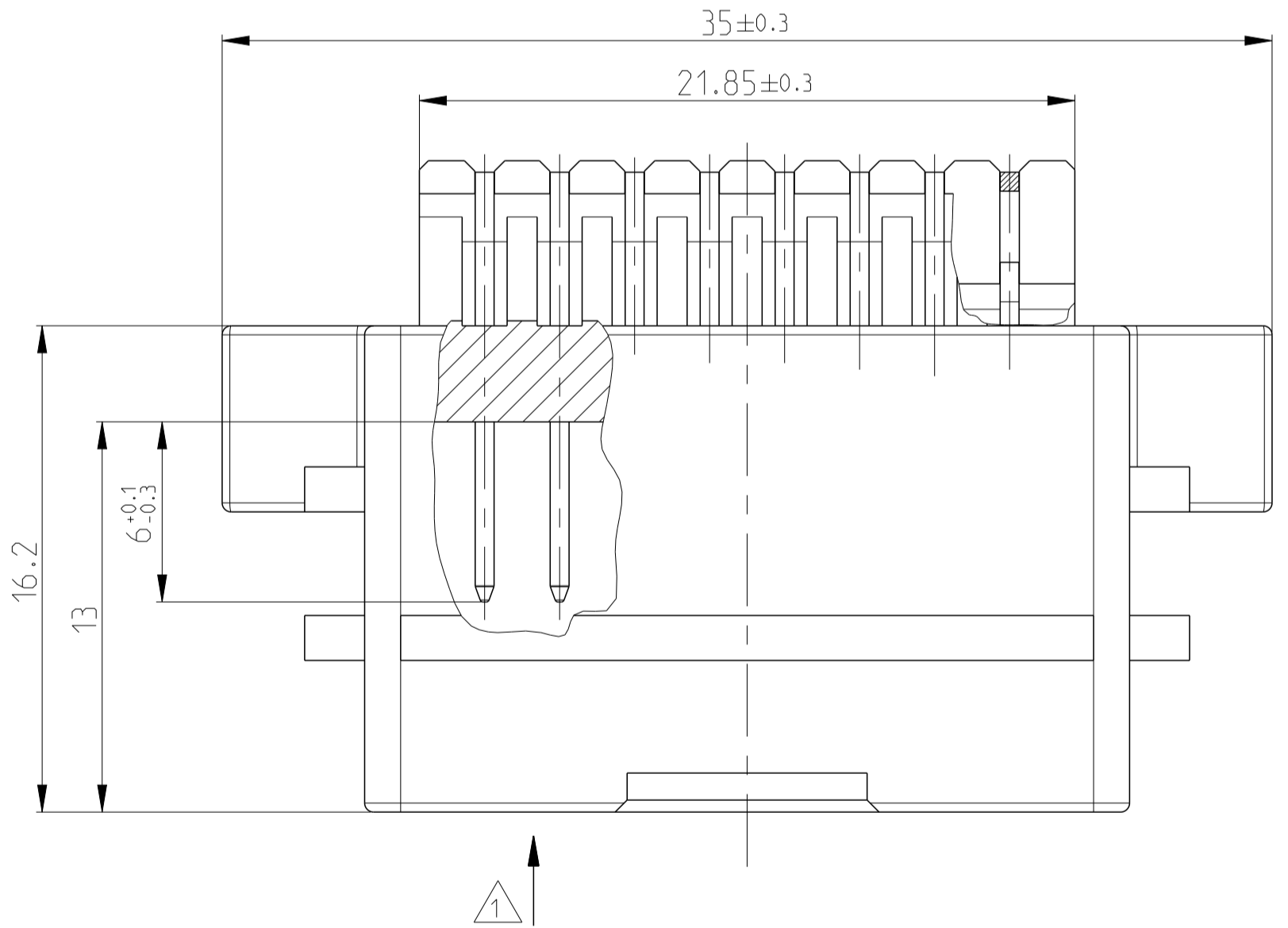
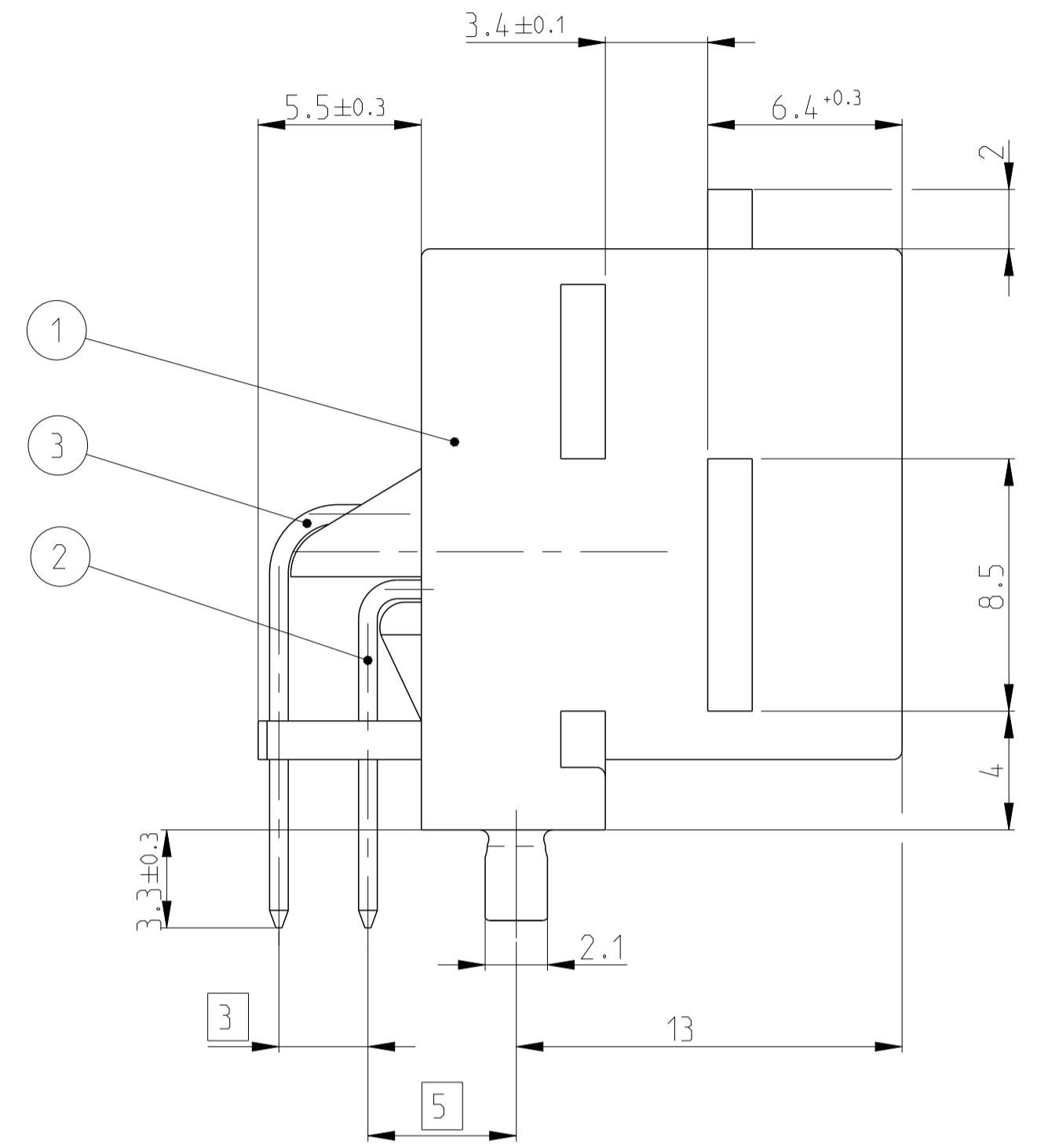
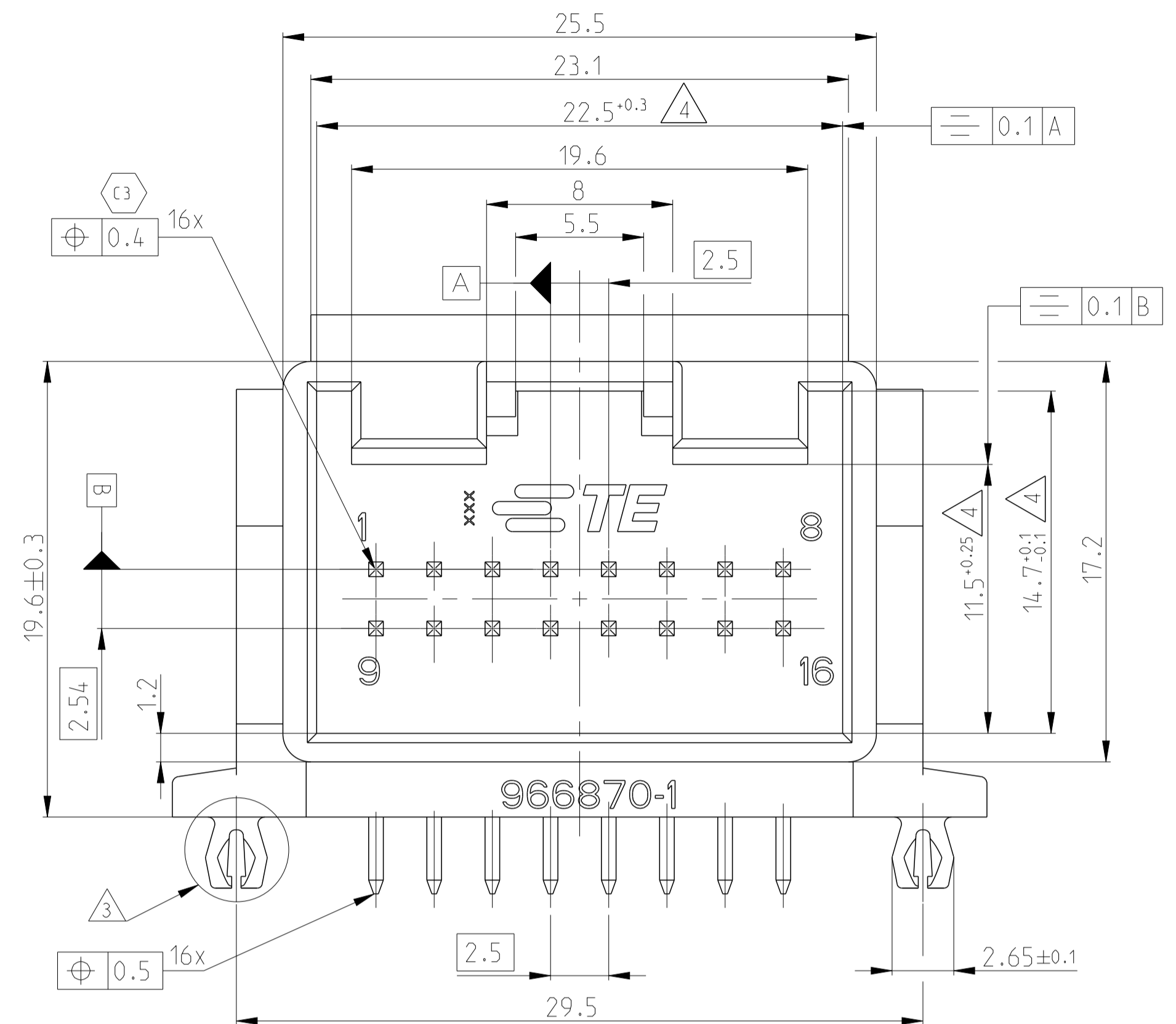
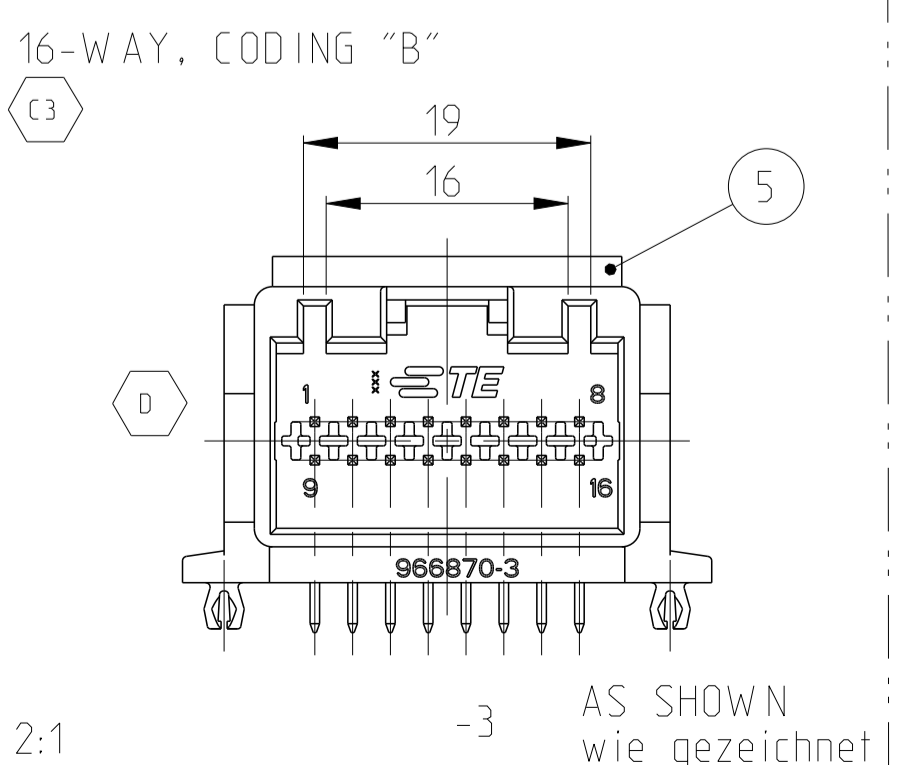
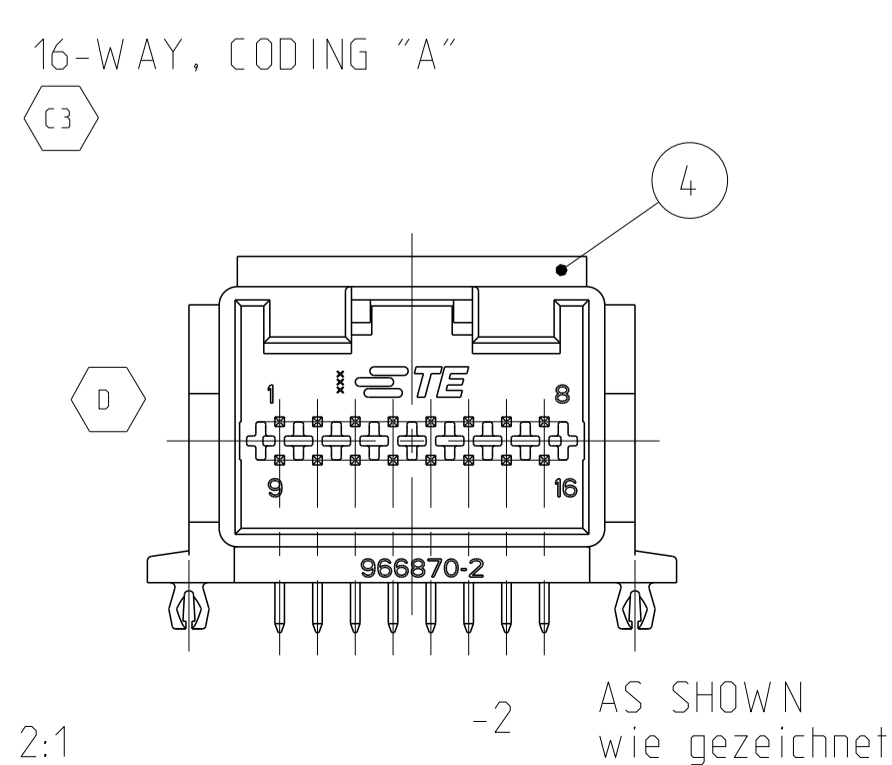


PROJECT NO. A95-55355		REVISIONS			
P	LTN	DESCRIPTION	DATE	DMN	APVD
C1		Revision angepasst	31JAN2001	KS	-
C2		NEW PACKAGING	04MAR2009	PS	MZ
C3		NEW VERSIONS ADDED	27SEP2016	J.B.JH	GB
D		UPDATED REVISION FOR -2 AND -3 VARIANT	09JUL2018	SCK	GB



- 1 CONTACT PRESS OUT FORCE MIN. 40N
Kontaktausdrueckkraft min. 40N
- 2 SUITABLE CONNECTOR/Passender Anschlussstecker:
SHIELDS VW/AUDI : 969421
Abdeckkappen VW/Audi : 969444
SHIELDS NEUTRAL : 969545
Abdeckkappen Neutral : 1355361
CONTACT HOUSING : 828929-2
Kontaktgehäuse : 966596-X
- 3 LOCKING PIN FOR PCB THICKNESS 1.5mm
Rastzapfen fuer Leiterplattendicke 1.5mm
- 4 TOOL DEPENDENT WARPAGE MAX. ±0.3 PERMITTED
Formbedingter Einfall max. ±0.3 zul.
- 5 PACKAGING A/ Verpackung A:
BOX PN 740906-1
Karton PN
TRAY PN 740966-2
Tray PN
CORRUCATED INNER LAYER (338x535mm)
Zwischenlage
- 6 PACKAGING B/ Verpackung B:
BOX PN 740906-1
Karton PN
TRAY PN 740966-2
Tray PN
BAG PN 1379066-3
Beutel PN

-1 AS SHOWN
wie gezeichnet



TE-ORDER-NO.	REV.	CODING	PACKAGING	DESCRIPTION	SURFACE COLOR	MATERIAL	QTY.	ITEM NO.
1-966870-1	C	A	B	MODU II PIN (26.9mm)	TIN-PLATED	CuSn6	8	3
				MODU II PIN (21.7mm)	TIN-PLATED	CuSn6	8	2
				2X8 POS. PIN-HEADER	BLACK	PBT-GF 15	1	1
966870-3	D	B	A	MODU II PIN (26.9mm)	TIN-PLATED	CuSn6	8	3
				MODU II PIN (21.7mm)	TIN-PLATED	CuSn6	8	2
				2X8 POS. PIN-HEADER	BLACK	PBT-GF 15	1	5
966870-2	D	A	A	MODU II PIN (26.9mm)	TIN-PLATED	CuSn6	8	3
				MODU II PIN (21.7mm)	TIN-PLATED	CuSn6	8	2
				2X8 POS. PIN-HEADER	BROWN	PBT-GF 15	1	4
966870-1	C	A	A	MODU II PIN (26.9mm)	TIN-PLATED	CuSn6	8	3
				MODU II PIN (21.7mm)	TIN-PLATED	CuSn6	8	2
				2X8 POS. PIN-HEADER	BLACK	PBT-GF 15	1	1

THIS DRAWING IS A CONTROLLED DOCUMENT. DIMENSIONS: mm. TOLERANCES UNLESS OTHERWISE SPECIFIED. MATERIAL: -. FINISH: -. WEIGHT: 5.667g. CUSTOMER DRAWING. DWN: K.Sellien, CHK: B.Kirsch, APVD: -. PRODUCT SPEC: -. APPLICATION SPEC: -. SIZE: A1, CAGE CODE: 00779, DRAWING NO: 966870, RESTRICTED TO: -. SCALE: 5:1, SHEET: 1 OF 1, REV: D.

单击下面可查看定价，库存，交付和生命周期等信息

[>>TE Connectivity\(泰科\)](#)