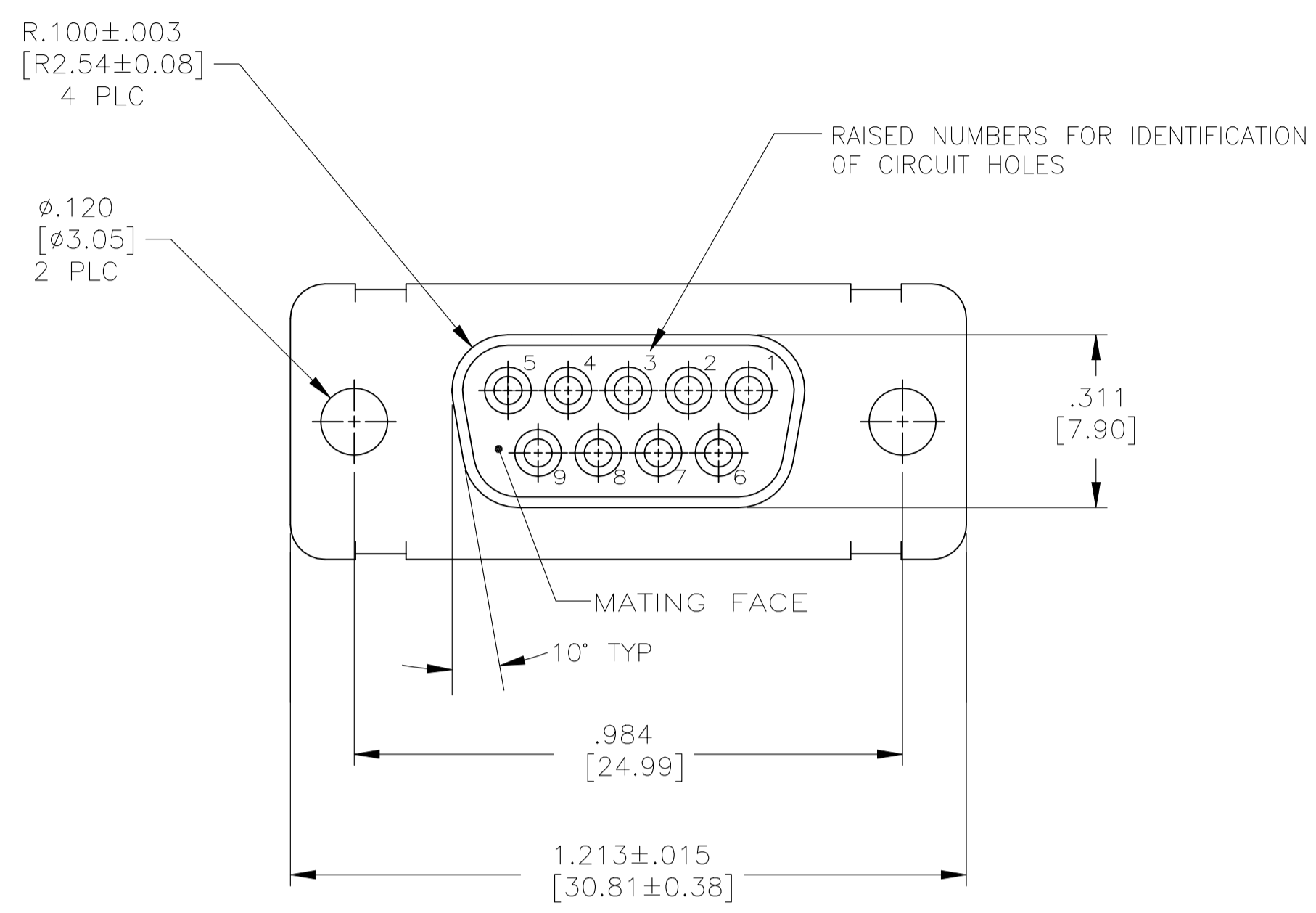
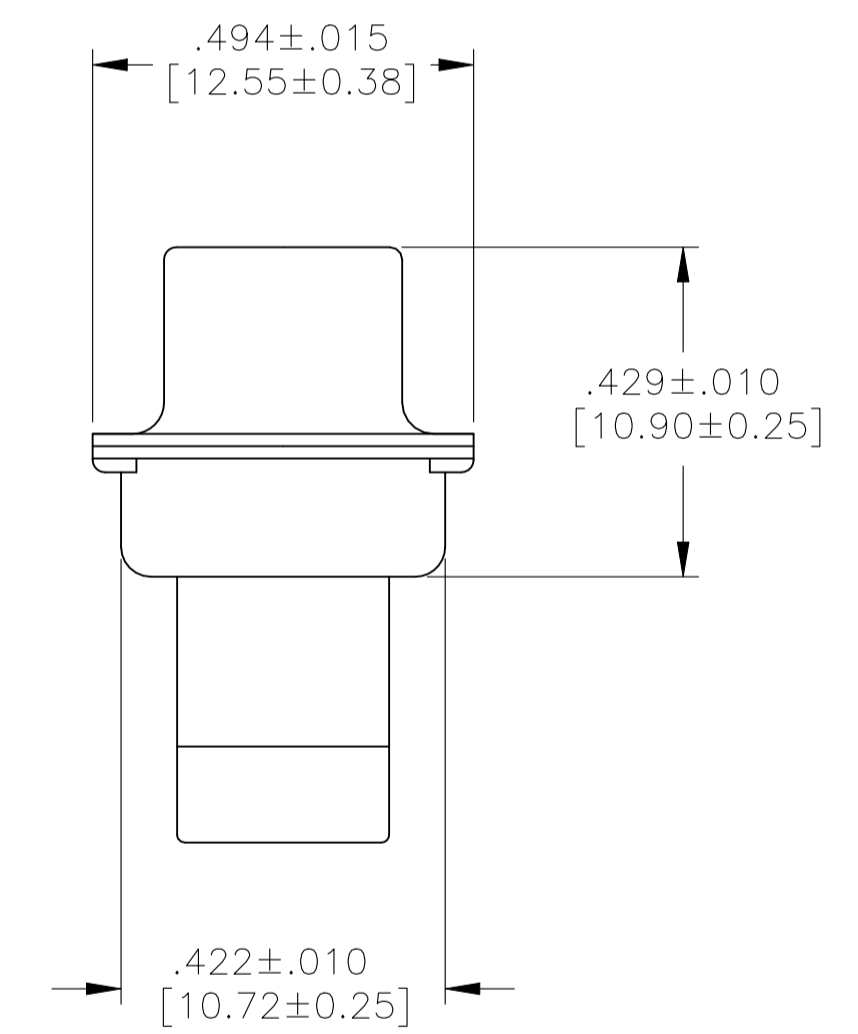
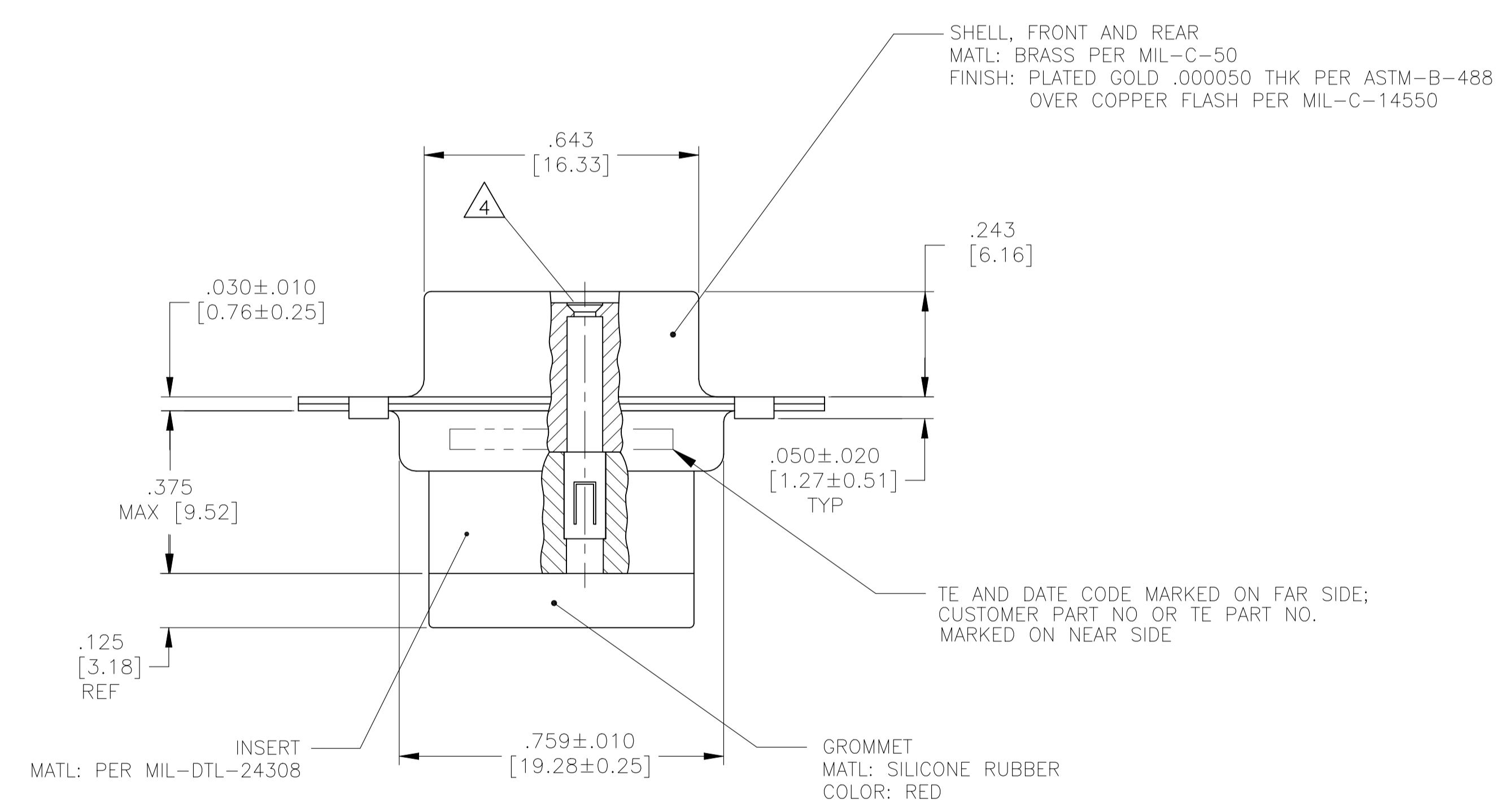


REVISIONS					
P	LTR	DESCRIPTION	DATE	DMN	APVO
K		REV PER ECO 20-006809	1-7-21	CT	DM



1. THIS RECEPTACLE WILL MATE WITH ANY 9 POSN, SIZE 1 PLUG IN AMPLIMITE SERIES
 2. MAXIMUM WIRE INSULATION USED WITH THIS RECEPTACLE IS $\phi.068$ [1.73]
 3. BE CU RETENTION CLIPS ARE INCLUDED IN INSERT
- ⚠ CONNECTOR SUPPLIED WITHOUT CONTACTS; SHOWN FOR ILLUSTRATION ONLY



OBSOLETE	1A01-021	--	211633-6
OBSOLETE	-	--	211633-5
	-	211633-4	211633-4
OBSOLETE	-	--	211633-3
OBSOLETE	2A014-036V-001	--	211633-2
	1A01-021-RHA	--	211633-1
	MARKED CUSTOMER NO	MARKED TE PART NO	PART NO.

THIS DRAWING IS A CONTROLLED DOCUMENT.

DIMENSIONS: INCHES	TOLERANCES UNLESS OTHERWISE SPECIFIED:	DIN C.C.THOMAS 12-6-90	TE Connectivity
0 PLC ± - 1 PLC ± - 2 PLC ± - 3 PLC ± .005 [0.13] 4 PLC ± - ANGLES ± -	± - ± - ± - ± - ± -	CHK F.KINSEY 12-6-90 APVO F.KINSEY 12-6-90 NAME RCPT. ASSY.,AMPLIMITE,9 POSN,SIZE 1, SERIES 109, NON-MAG, W/GROMMET	
MATERIAL SEE CALLOUTS	FINISH SEE CALLOUTS	WEIGHT 0.000000	SIZE A1 CAGE CODE 00779 DRAWING NO C=211633 RESTRICTED TO - CUSTOMER DRAWING SCALE 4:1 SHEET 1 OF 1 REV K

单击下面可查看定价，库存，交付和生命周期等信息

[>>TE Connectivity\(泰科\)](#)