

THIS DRAWING IS UNPUBLISHED.

RELEASED FOR PUBLICATION

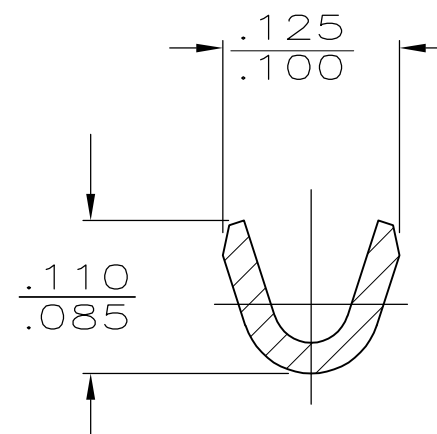
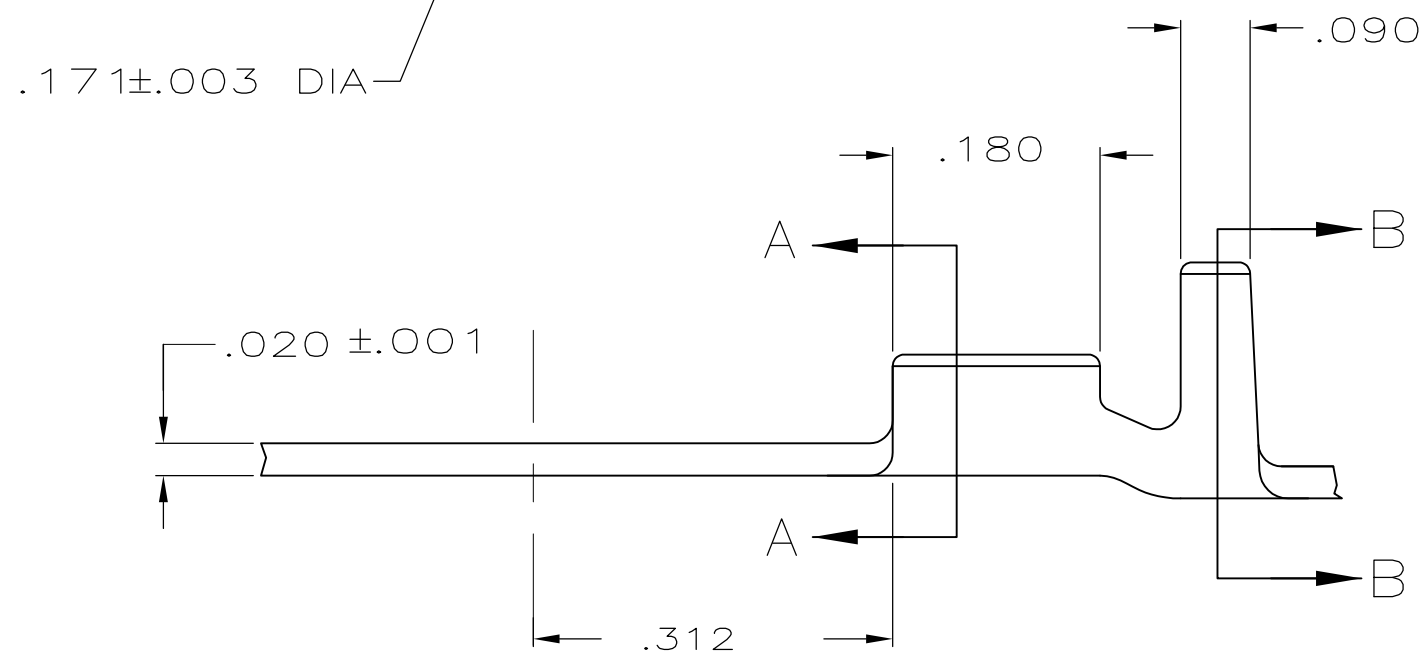
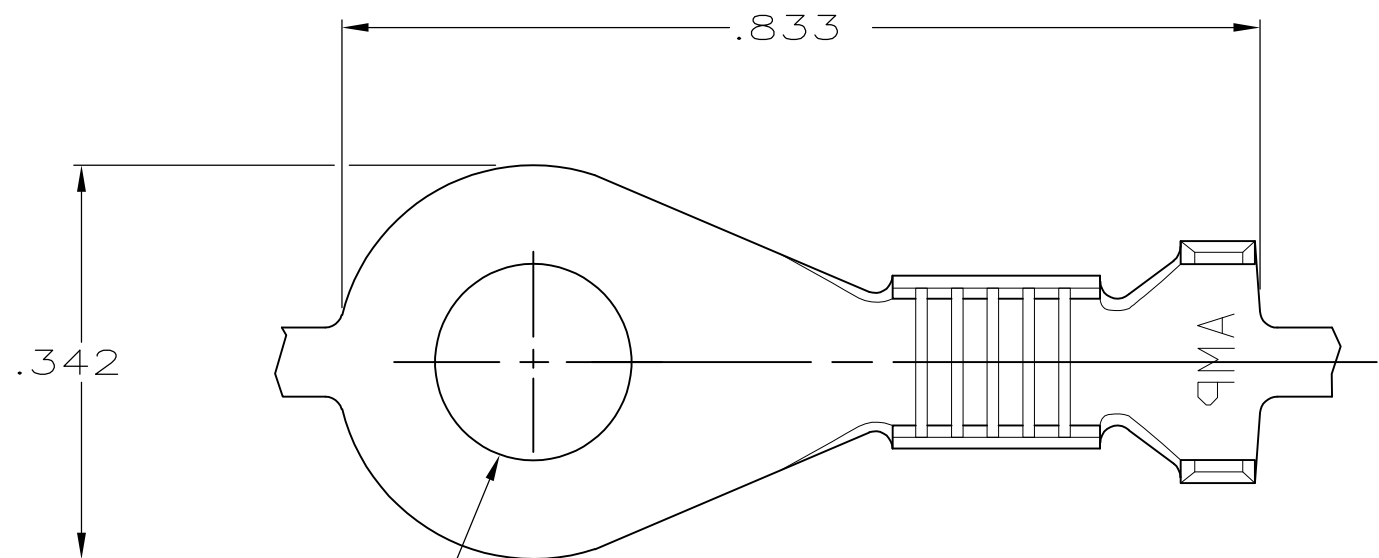
© COPYRIGHT - By TYCO ELECTRONICS CORPORATION.

ALL RIGHTS RESERVED.

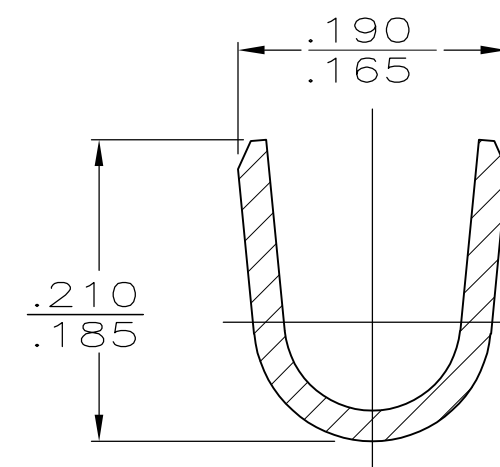
LOC AF DIST 50

REVISIONS

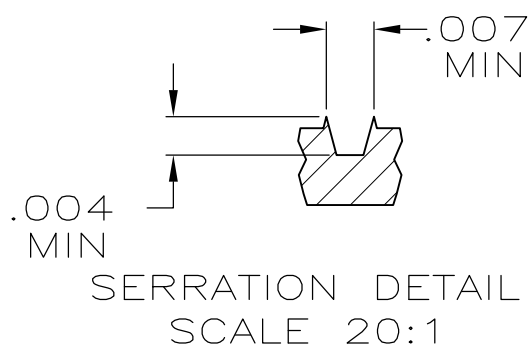
P	LTR	DESCRIPTION	DATE	DWN	APVD
G		REVISE PER ECR-13-013738	15FEB2014	GRZ	JL



SECTION A-A
SCALE 8:1



SECTION B-B
SCALE 8:1



TIN PL	.100-.140	23-19	60321-2
FINISH	INSULATION RANGE	MAGNET WIRE SIZE	PART NO

THIS DRAWING IS A CONTROLLED DOCUMENT.

DWN P Fortney 6/4/87

DIMENSIONS: INCHES	TOLERANCES UNLESS OTHERWISE SPECIFIED:
0 PLC	± -
1 PLC	± -
2 PLC	± -
3 PLC	± .015
4 PLC	± -
ANGLES	± -

MATERIAL BRASS FINISH SEE TABLE

CHK	-
APVD	-
PRODUCT SPEC	-
APPLICATION SPEC	-
WEIGHT	-

STE TE Connectivity			
NAME RING,AMPLIVAR			
SIZE	CAGE CODE	DRAWING NO	RESTRICTED TO
A3	00779	C-60321	-

CUSTOMER DRAWING SCALE 6:1 SHEET 1 OF 1 REV H

单击下面可查看定价，库存，交付和生命周期等信息

[>>TE Connectivity\(泰科\)](#)