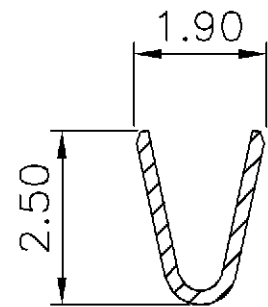
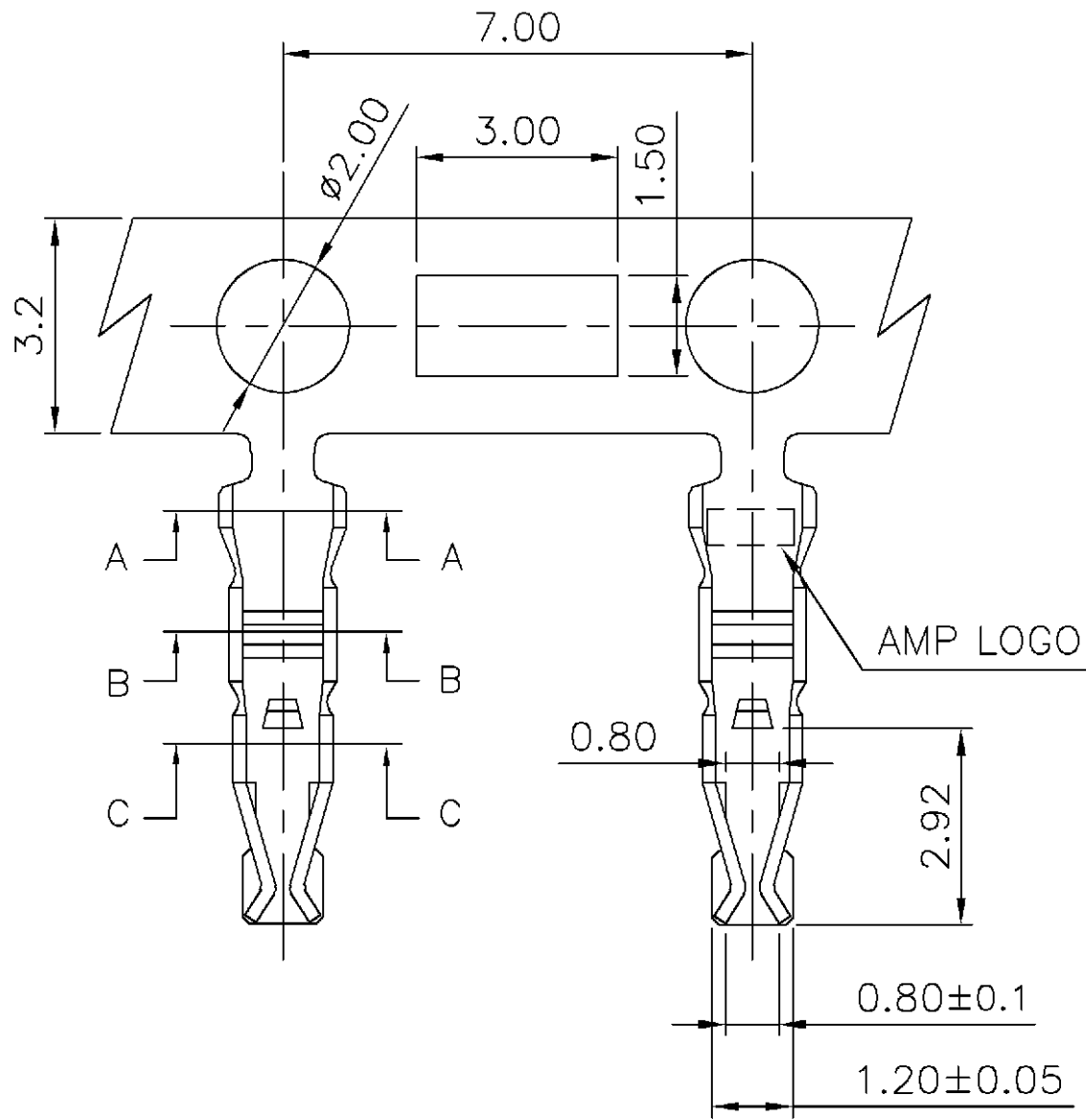
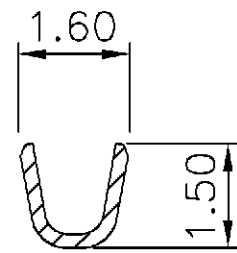


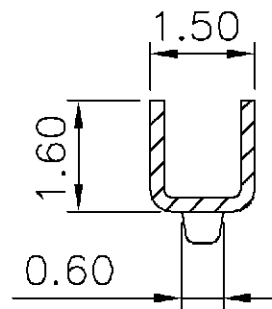
THIS INFORMATION IS CONFIDENTIAL AND IS DISCLOSED TO YOU ON CONDITION THAT NO FURTHER DISCLOSURE IS MADE BY YOU TO OTHER THAN AMP PERSONNEL WITHOUT WRITTEN AUTHORIZATION FROM AMP (TAIWAN) LTD. DIMENSIONS IN MILLIMETERS. DO NOT SCALE PRINT.



SEC: A-A



SEC: B-B



SEC: C-C

NOTE:

- MATERIAL :
TERMINAL : PHOSPHOR BRONZE, T=0.20mm.
- FINISH:
TERMINAL : 60u" MIN TIN PLATED ON CONTACT AREA.
20u" MIN. NICKEL UNDERPLATED OVER ALL.
- QUALIFICATION TEST REPORT: 501-57218.

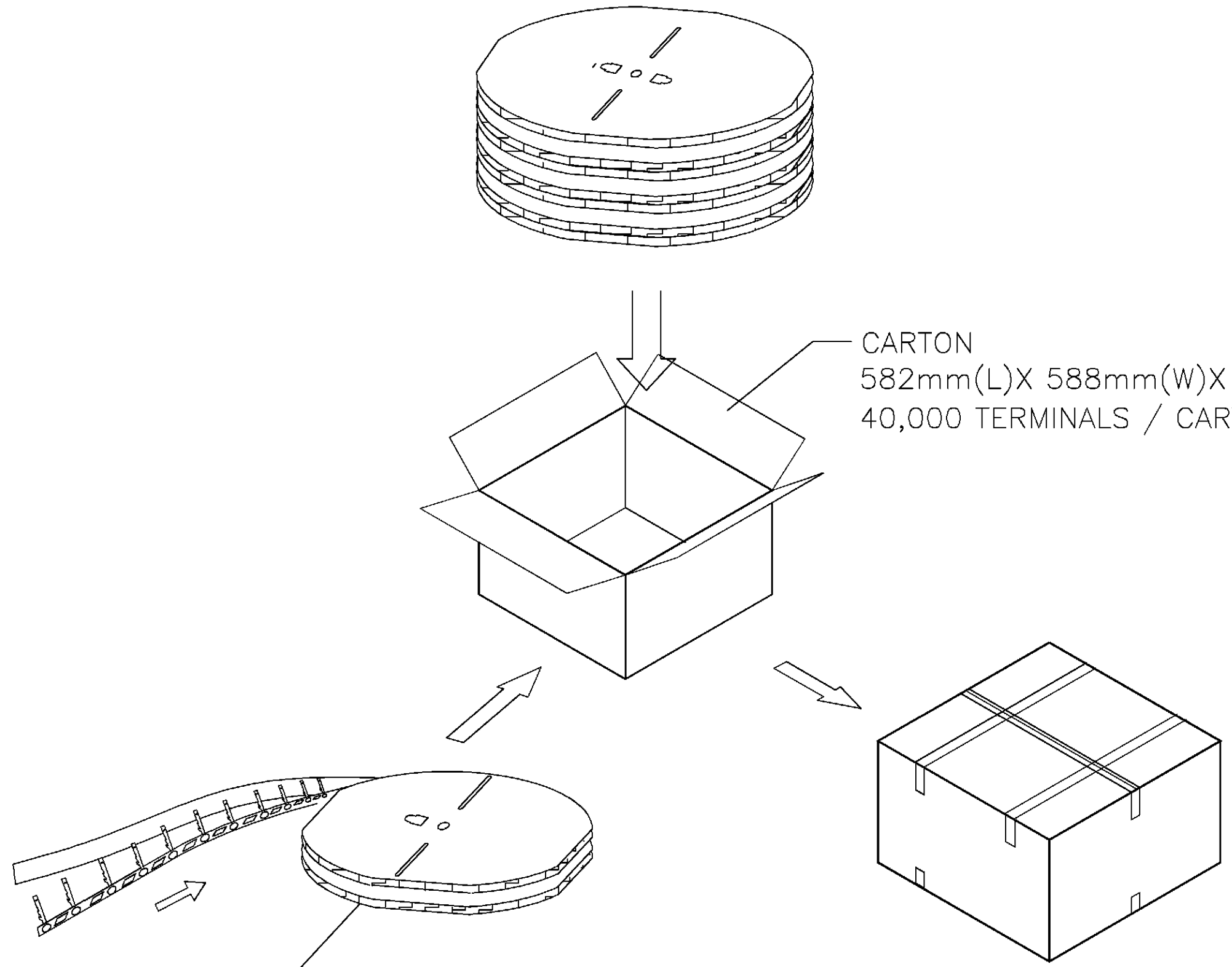
1470106-1
PART NUMBER

A	REVISED	FZ00-0183-03	OH	18AUG	2003
O	FIRST RELEASED	FZ00-0049-02	OH	06MAR	2002
LTR	REVISION RECORD	ECN	DWN	CHK	DATE

DIMENSION : 0 PLC ± 1 PLC ±0.30 2 PLC ±0.20 3 PLC ±0.10 ANGLES ±	DWN	O. HU	12-AUG-2003		
	CHK	A. WU	12-AUG-2003		
MATERIAL SEE NOTE	APVD	J. CHENG	12-AUG-2003		
	PRODUCT SPEC	108-57217			
FINISH SEE NOTE	APPLICATION SPEC	114-57D13			
	WEIGHT				
TYCO Electronics		TYCO HOLDINGS (BERMUDA) VII LTD. TAIWAN BRANCH			
NAME		2.0 MM PITCH CRIMP CONTACT			
LOC	SIZE	DRAWING NO	REV		
DW	A ₃	C-1470106	A		
SCALE		SHEET		1 OF 2	
--					

THIS INFORMATION IS CONFIDENTIAL AND IS DISCLOSED TO YOU ON CONDITION THAT NO FURTHER DISCLOSURE IS MADE BY YOU TO OTHER THAN AMP PERSONNEL WITHOUT WRITTEN AUTHORIZATION FROM AMP (TAIWAN) LTD. DIMENSIONS IN MILLIMETERS. DO NOT SCALE PRINT.

PRINT DIST
 DW



CARTON
 582mm(L)X 588mm(W)X 112mm(H)
 40,000 TERMINALS / CARTON

REEL
 DIAMETER: $\phi 580\text{mm}$.
 10,000 TERMINALS / REEL

	SEE SHEET 1.			
LTR	REVISION RECORD	ECN	DWN	CHK
				DATE

DIMENSION : 0 PLC \pm 1 PLC \pm 2 PLC \pm 3 PLC \pm ANGLES \pm	DWN	O. HU	12-AUG-2003		
	CHK	A. WU	12-AUG-2003		
MATERIAL	APVD	J. CHENG	12-AUG-2003		
SEE NOTE	PRODUCT SPEC	/			
FINISH	APPLICATION SPEC				
SEE NOTE	WEIGHT	/			
		LOC	SIZE	DRAWING NO	REV
		DW	A ₃	C-1470106	A
		SCALE	SHEET		
		--	2 OF 2		

tyco TYCO HOLDINGS (BERMUDA)
Electronics VII LTD. TAIWAN BRANCH

NAME
 2.0 MM PITCH CRIMP CONTACT

LOC DW A₃ DRAWING NO C-1470106 REV A

SCALE -- SHEET 2 OF 2

单击下面可查看定价，库存，交付和生命周期等信息

[>>TE Connectivity\(泰科\)](#)