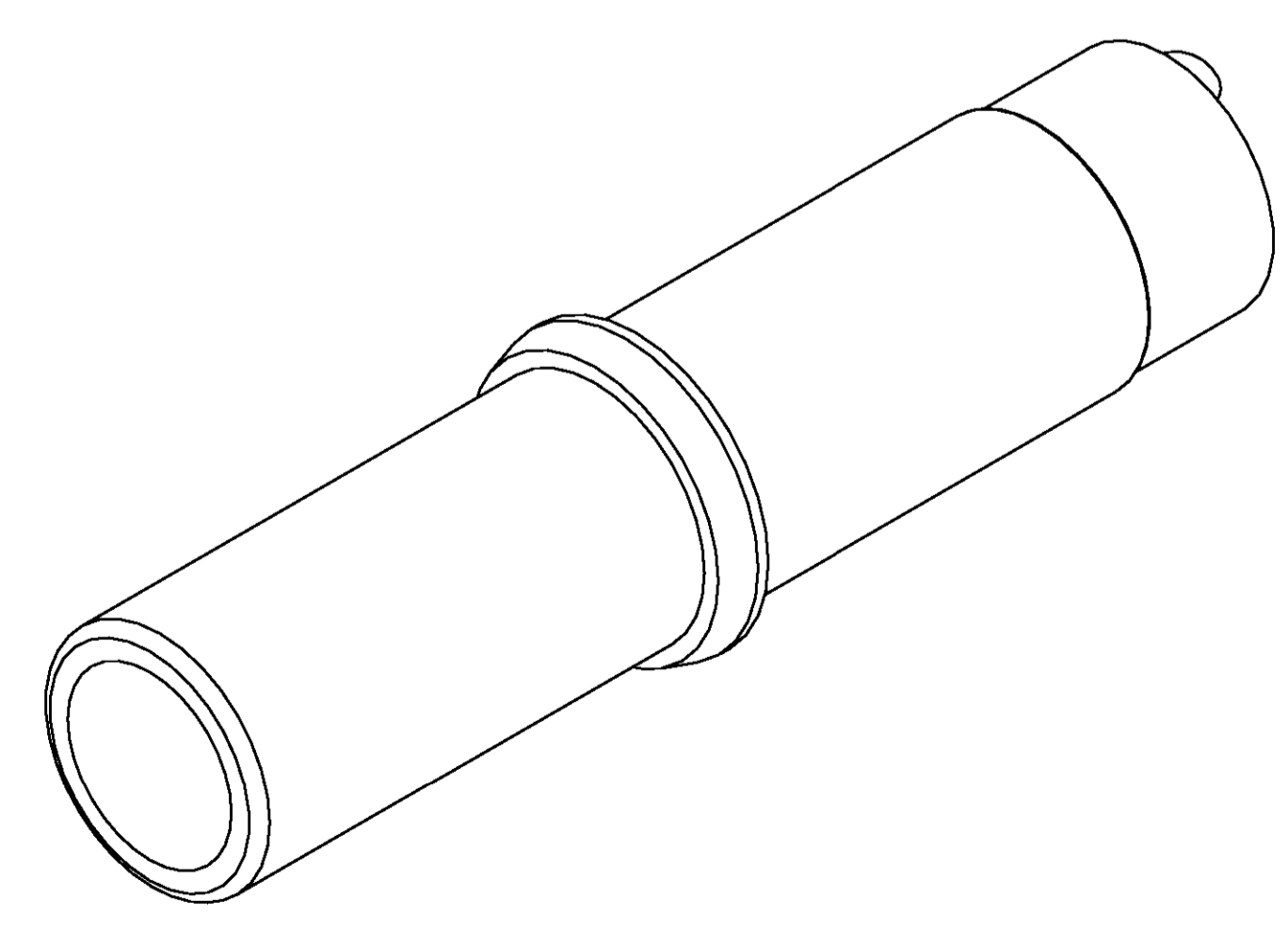
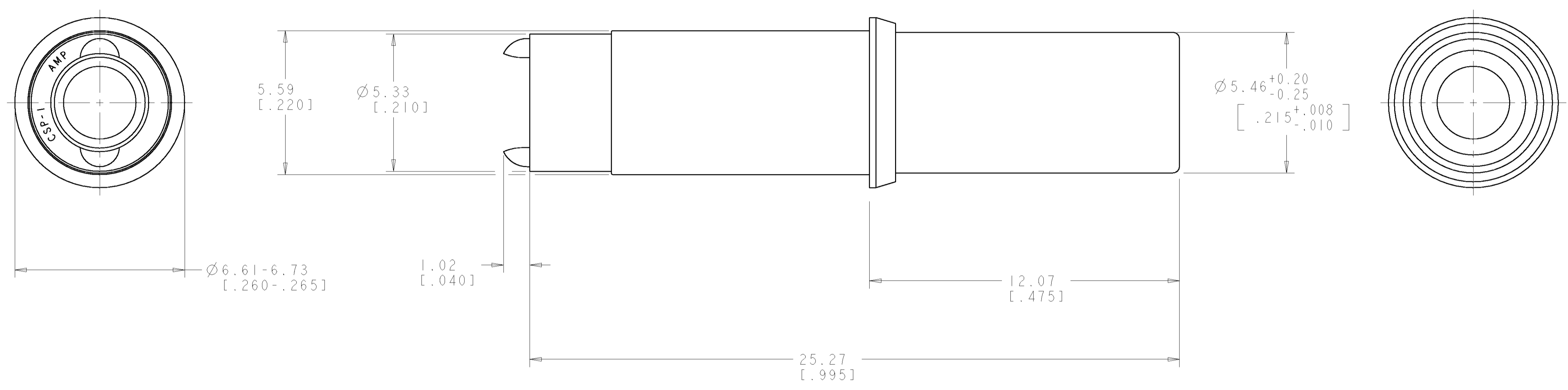


LOC	DIST	REVISIONS			
P	LTR	DESCRIPTION	DATE	DWN	APVD
C		REVISED PER 0638-0341-02	14-APR-03	KW	DC

1. MATES WITH CAP 480350, 480351, OR 480401.  
 2. MATERIAL - NYLON, UL94V-2, WEATHER RESISTANT, BLACK.



SCALE 8:1

METRIC

1-480400-0  
 PART NUMBER

<small>THE DIMENSIONS ON THIS DRAWING ARE UNLESS OTHERWISE SPECIFIED IN MILLIMETERS. DIMENSIONS IN INCHES ARE FOR INFORMATION ONLY. THIS DRAWING IS UNPUBLISHED. RELEASED FOR PUBLICATION BY TYCO ELECTRONICS CORPORATION. ALL RIGHTS RESERVED.</small>		DWN: B. WHITAKER 14-APR-2003 CHK: D. COLEY 14-APR-2003 APVD: D. COLEY 14-APR-2003	<b>tyco</b> Electronics Tyco Electronics Harrisburg, PA 17105-3608
DIMENSIONS: mm [INCHES]	TOLERANCES UNLESS OTHERWISE SPECIFIED: 0 PLC ± 1 PLC ± 2 PLC ±0.13 (.005) 3 PLC ± 4 PLC ± ANGLES ±30°	PRODUCT SPEC APPLICATION SPEC WEIGHT FINISH	NAME: SINGLE CIRCUIT MATE-N-LOK™ PLUG SIZE: A   CAGE CODE: 00779   DRAWING NO: C-480400 RESTRICTED TO: - CUSTOMER DRAWING
MATERIAL: - FINISH: -		SCALE: 10:1 SHEET: 1 OF 1 REV: C	

单击下面可查看定价，库存，交付和生命周期等信息

[>>TE Connectivity\(泰科\)](#)