

4

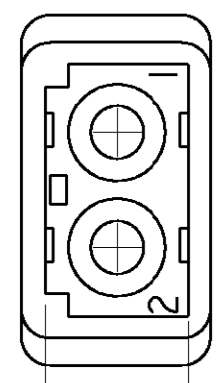
3

2

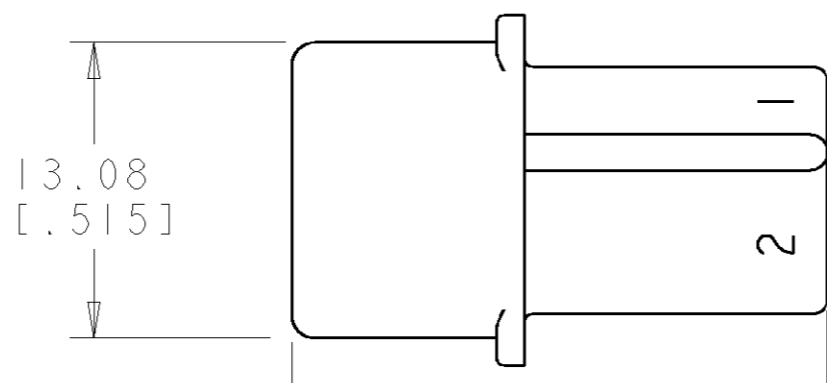
1

THIS DRAWING IS UNPUBLISHED. RELEASED FOR PUBLICATION 20  
 © COPYRIGHT 20 BY TYCO ELECTRONICS CORPORATION. ALL RIGHTS RESERVED.

LOC	DIST	REVISIONS				
P	LTR	DESCRIPTION	DATE	DWN	APVD	
CM	00	C	REVISD PER 0G3B-0341-02	15-APR-03	KW	DC



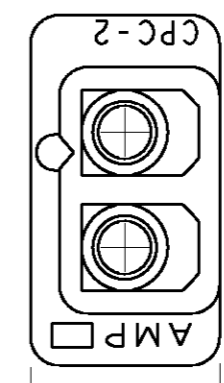
6.30-6.42  
[.248-.253]



13.08  
[.515]

10.92  
[.430]

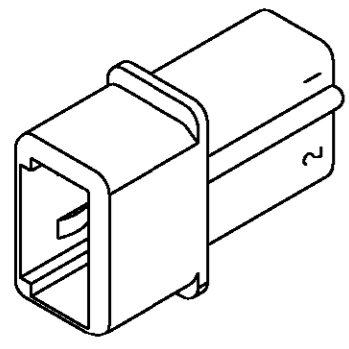
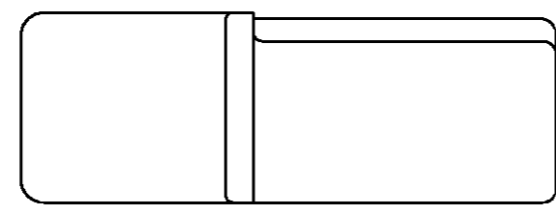
23.50-23.87  
[.925-.940]



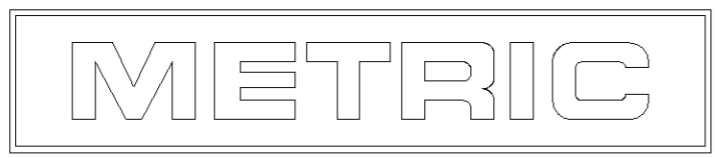
15.49  
[.610]

8.26-8.38  
[.325-.330]

1. MATES WITH HOUSING 480393.



SCALE 2:1



1-480498-1  
PART NUMBER

<small>THIS DRAWING IS A CONTROLLED DOCUMENT FOR TYCO ELECTRONICS CORPORATION          IT IS SUBJECT TO CHANGE AND THE CONTROLLING ENGINEERING ORGANIZATION          SHOULD BE CONTACTED FOR THE LATEST REVISION.</small>		DWN 15-APR-2003 K. WHITAKER CHK 15-APR-2003 D. COLEY APVD 15-APR-2003 D. COLEY	<b>tyco</b> <b>Electronics</b> Tyco Electronics Harrisburg, PA 17105-3608
DIMENSIONS: mm [ INCHES ]	TOLERANCES UNLESS OTHERWISE SPECIFIED:	PRODUCT SPEC -	NAME CAP, 2 CIRCUIT, COMMERCIAL MATE-N-LOK™
	0 PLC ±- 1 PLC ±- 2 PLC ±0.13 [.005] 3 PLC ±- 4 PLC ±- ANGLES ±0°30'	APPLICATION SPEC -	SIZE A3 CAGE CODE 00779 DRAWING NO C-480498
MATERIAL NYLON, UL94V-2, BLACK WEATHER RESISTANT	FINISH -	WEIGHT -	RESTRICTED TO -
CUSTOMER DRAWING		SCALE 3:1	SHEET 1 OF 1 REV C

单击下面可查看定价，库存，交付和生命周期等信息

[>>TE Connectivity\(泰科\)](#)