

4

3

2

1

THIS DRAWING IS UNPUBLISHED.

RELEASED FOR PUBLICATION

--

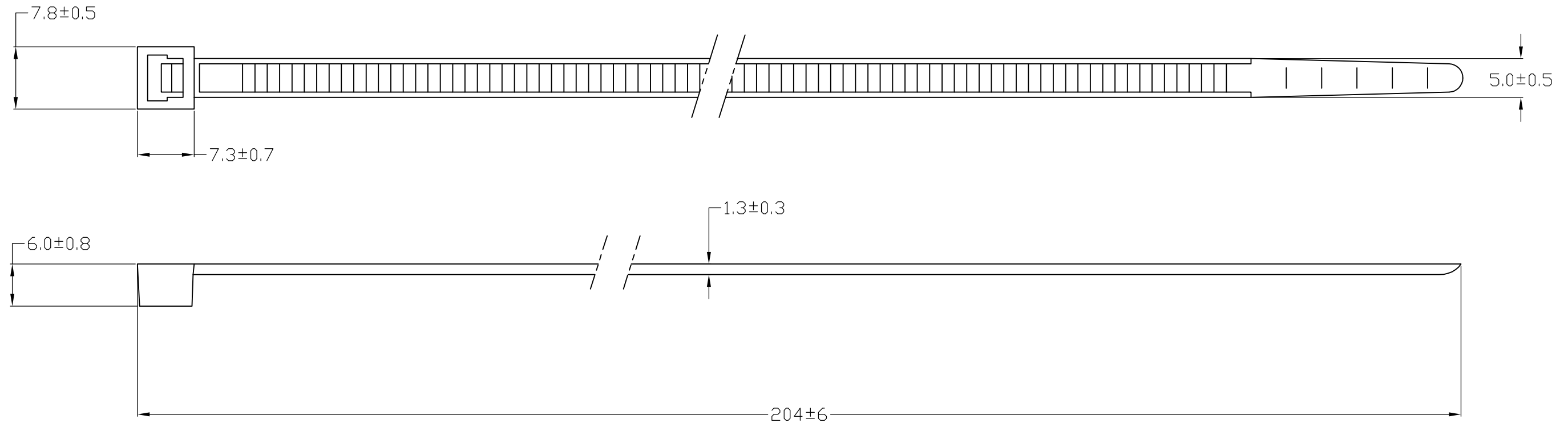
© COPYRIGHT - By -

ALL RIGHTS RESERVED.

LOC	DIST	REVISIONS					
		P	LTR	DESCRIPTION	DATE	DWN	APVD
-	-	C		VENDOR CHANGE	20MAR2012	SP	RP

NOTES:

1. RANGE: $\phi 50$ MAX (BUNDLE SIZE)
2. MIN. TENSILE STRENGTH: 220 N.



1000	BLACK	POLYAMIDE 6.6	4-160975-2
1000	NATURAL	POLYAMIDE 6.6	4-160975-1
100	BLACK	POLYAMIDE 6.6	2-160975-2
100	NATURAL	POLYAMIDE 6.6	2-160975-1
QTY	FINISH	MATERIAL	PART NUMBER

THIS DRAWING IS A CONTROLLED DOCUMENT.		DWN J.V.D.HEIJDEN 27FEB92	STE TE Connectivity	
DIMENSIONS: mm		CHK MvDRIEL 18FEB02		
TOLERANCES UNLESS OTHERWISE SPECIFIED:		APVD MvDRIEL 18FEB02	NAME CABLE TY	
0 PLC ± -		PRODUCT SPEC	SIZE	
1 PLC ± -		APPLICATION SPEC	CAGE CODE	
2 PLC ± -		WEIGHT	DRAWING NO	
3 PLC ± -		CUSTOMER DRAWING	RESTRICTED TO	
4 PLC ± -			A300779 C-160975	
ANGLES ± -			SCALE	
FINISH			SHEET	
SEE TABLE			1 of 1	
			REV	
			C	

单击下面可查看定价，库存，交付和生命周期等信息

[>>TE Connectivity\(泰科\)](#)