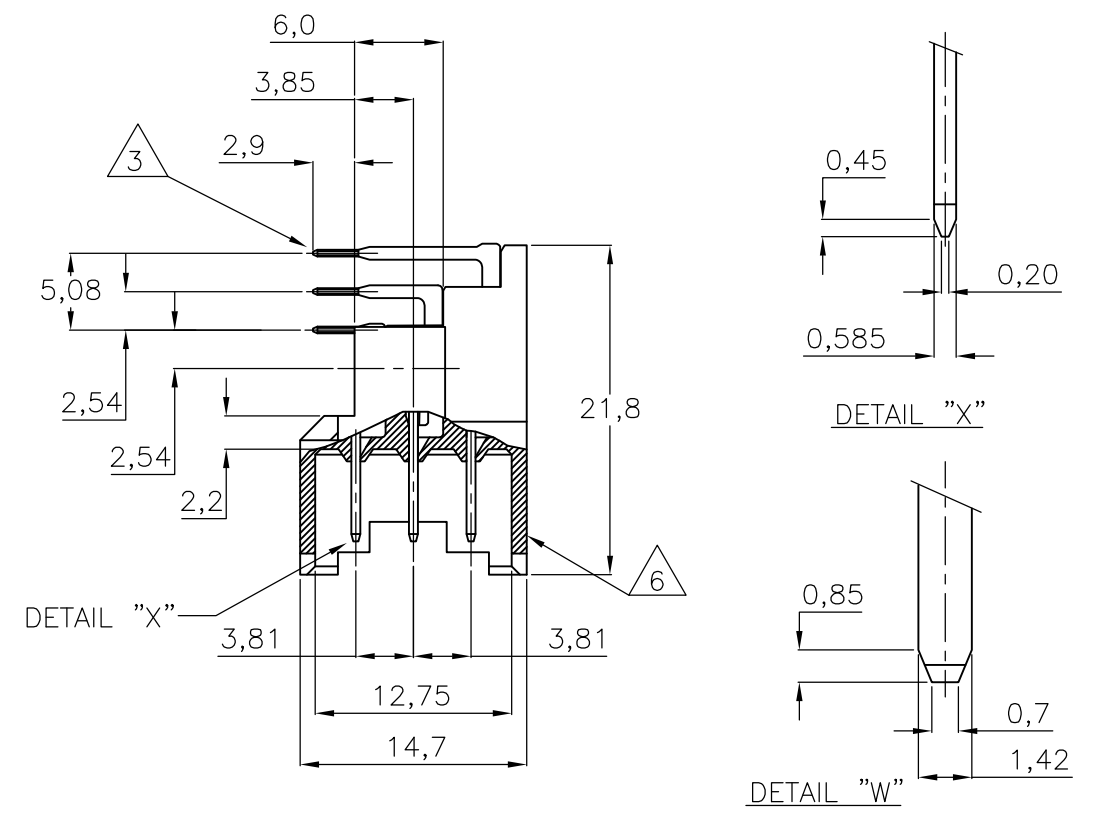
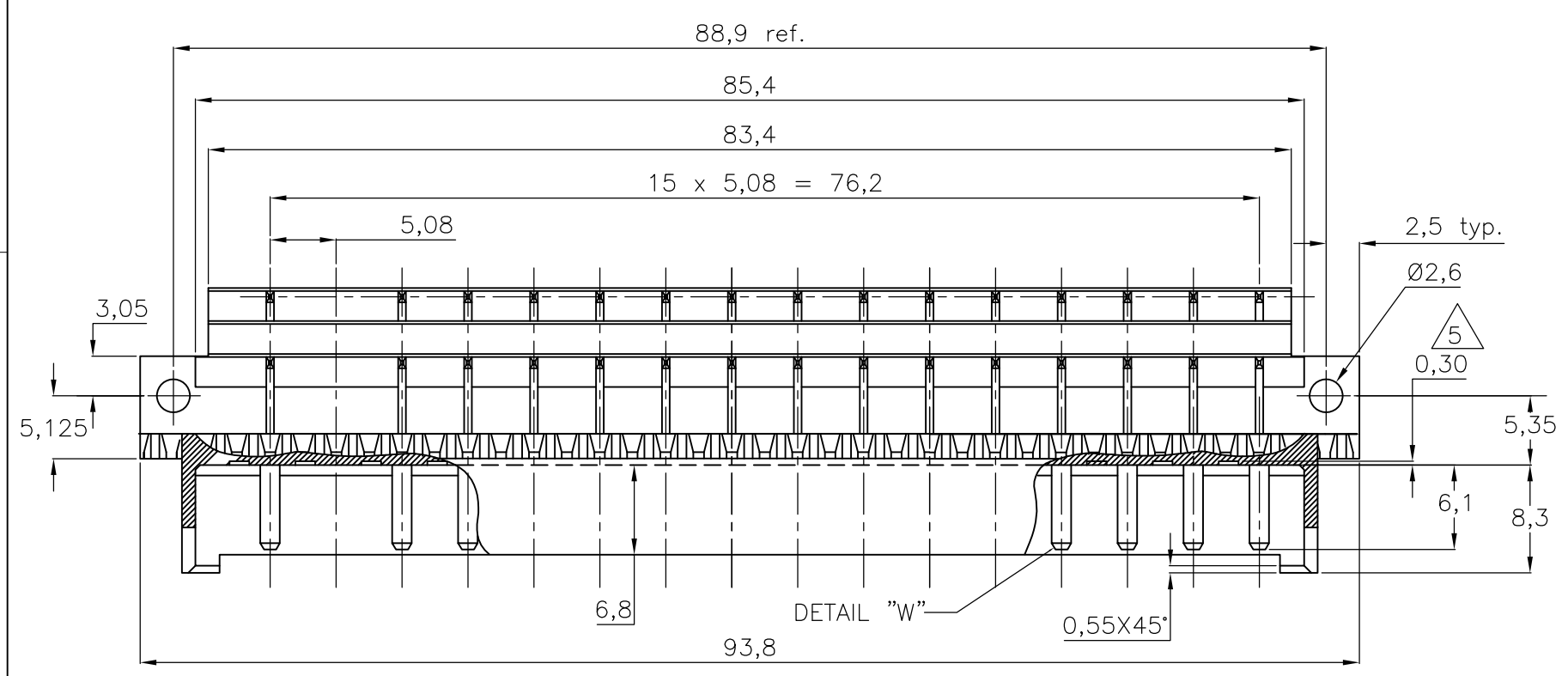


THIS DRAWING IS UNPUBLISHED. RELEASED FOR PUBLICATION
 © COPYRIGHT - By - ALL RIGHTS RESERVED.

LOC	DIST	REVISIONS					
H	-	P	LTR	DESCRIPTION	DATE	DWN	APVD
		F		REVISED PER ECO-15-005333	07JUL2015	AP	RP



CONTACT No.	2	4	6	8	10	12	14	16	18	20	22	24	26	28	30	32
z	x		x	x	x	x	x	x	x	x	x	x	x	x	x	x
F 48 ROW b	x															
d	x		x	x	x	x	x	x	x	x	x	x	x	x	x	x

AN ASTERISK „X” DENOTES A STANDARD CONTACT.

RESTRICTED TO HONEYWELL

NOTES:

- ① MATERIAL:
 -HOUSING: THERMOPLASTIC POLYESTER, COLOR GREY.
 -CONTACTS: BRASS.
- ② PLATING CONTACT:
 -1 : EIC 60603-2 PERFORMANCE LEVEL I OVER NICKEL IN CONTACT AREA.
 Sn OVER 1.25µm Ni ON SOLDER POST.
 -4 : EIC 60603-2 PERFORMANCE LEVEL II OVER NICKEL IN CONTACT AREA.
 Sn OVER 1.25µm Ni ON SOLDER POST.
- ③ SOLDER POSTS SUITABLE FOR P.C.B. HOLES
 0,8±0,05 OR 1,0±0,1 DIA.
- ④ 8 HOLES SUITABLE FOR KEYING PIN PN. 215916-1.
- ⑤ KEYING HOLES TO BE DRILLED BY CUSTOMER.
- ⑥ PRINTING PART NUMBER AND DATE CODE AT THIS SIDE.

THIS DRAWING IS A CONTROLLED DOCUMENT.

DIMENSIONS:	TOLERANCES UNLESS OTHERWISE SPECIFIED:
mm	
	0 PLC ± -
	1 PLC ± -
	2 PLC ± -
	3 PLC ± -
	4 PLC ± -
	ANGLES ± -
MATERIAL	FINISH
-	-

DWN	R.V.LOKVEN	25MAY93
CHK	J.V.GRUNSEVEN	25MAY93
APVD	L.V.SOET	25MAY93
PRODUCT SPEC	-	-
APPLICATION SPEC	-	-
WEIGHT	-	-
CUSTOMER DRAWING		

OBSOLETE	SEE NOTE ②	SEE NOTE ①	188753-4
	FINISH	MATERIAL	188753-1
			PARTNUMBER
STE TE Connectivity			
31 POS. DIN 41612 F MALE 90° SOLDER CONNECTOR			
SIZE	CAGE CODE	DRAWING NO	RESTRICTED TO
A3	00779	C-188753	-
SCALE		SHEET	REV
NTS		1 OF 1	F

单击下面可查看定价，库存，交付和生命周期等信息

[>>TE Connectivity\(泰科\)](#)