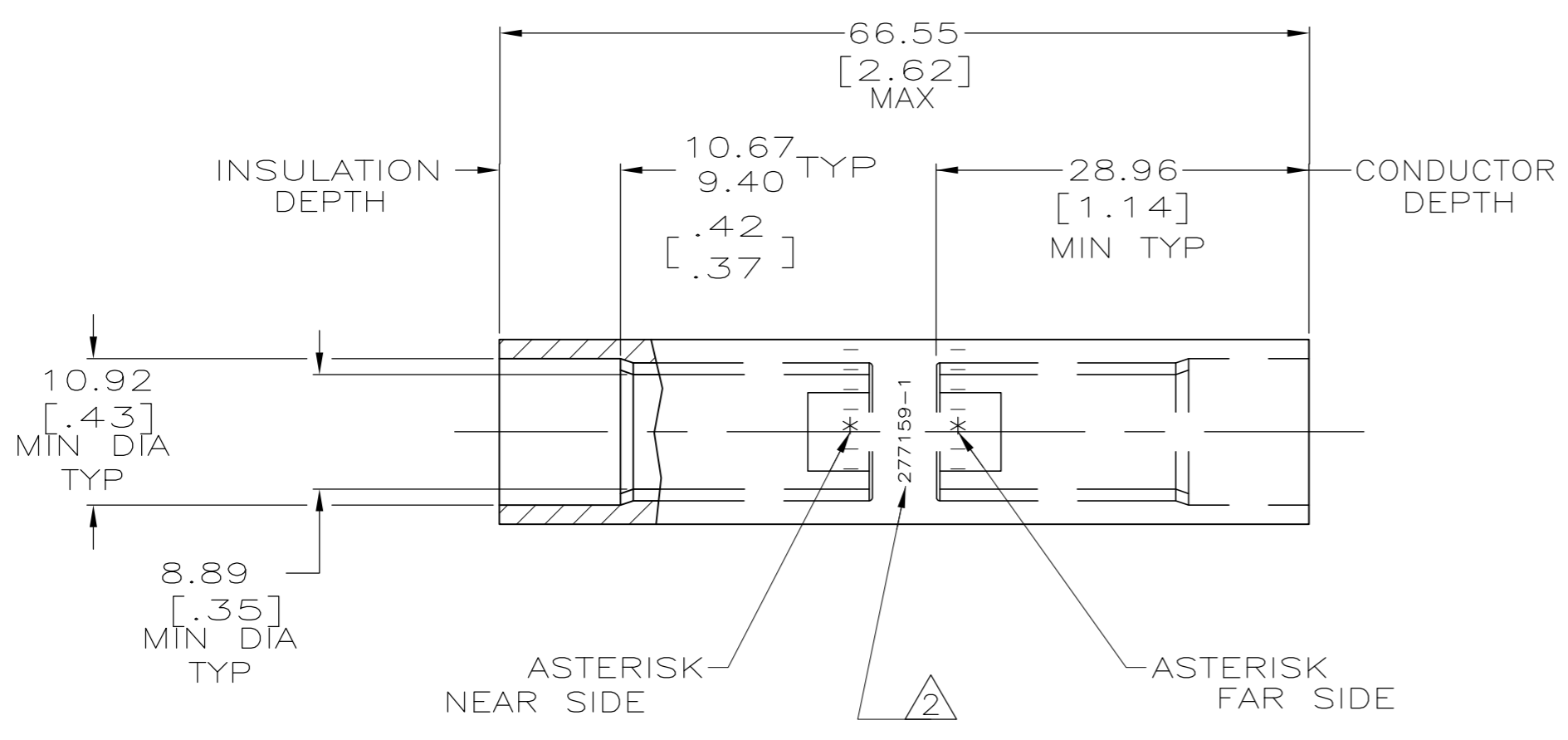
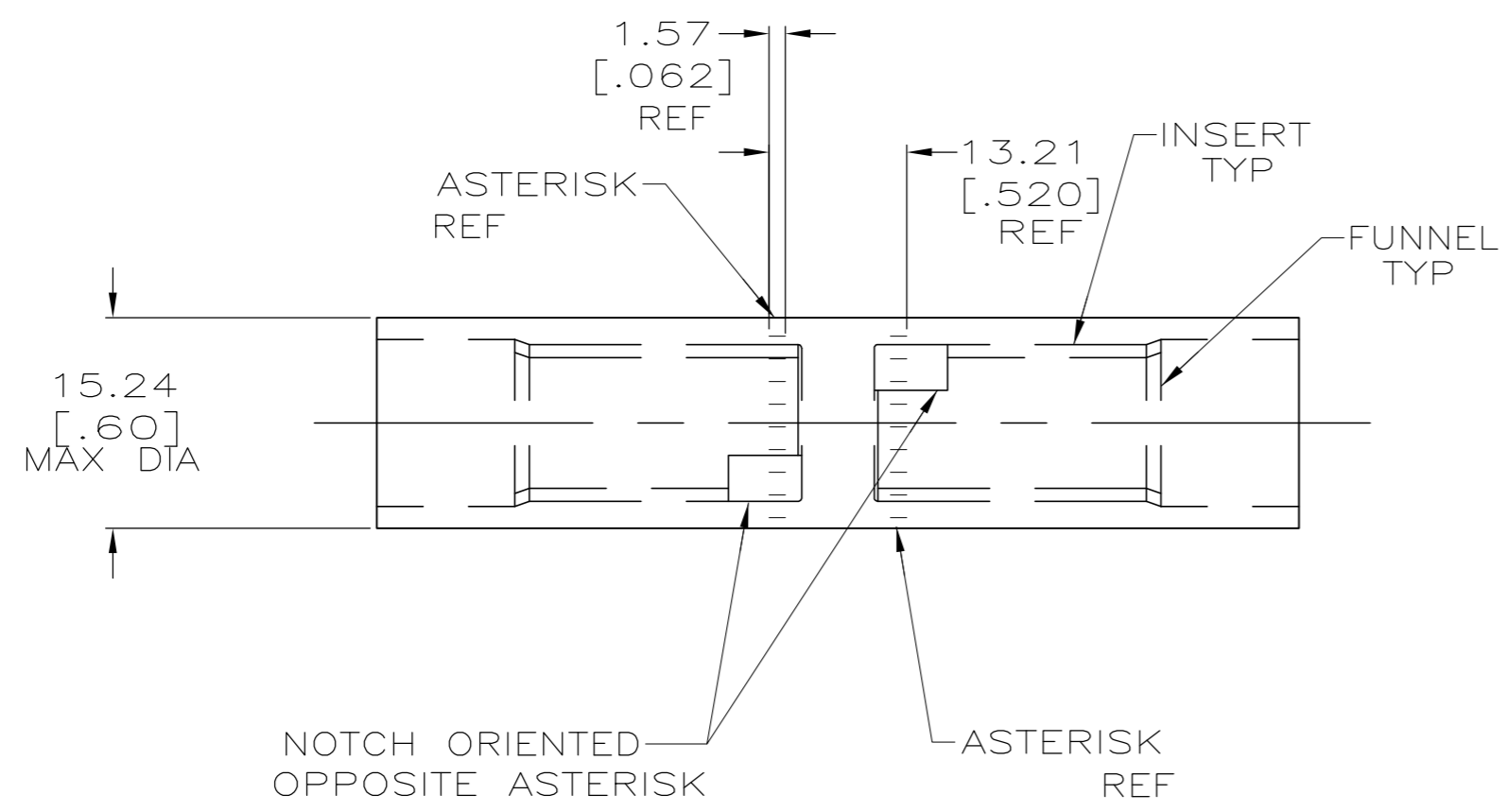


THIS DRAWING IS UNPUBLISHED. RELEASED FOR PUBLICATION
 © COPYRIGHT - By - ALL RIGHTS RESERVED.

LOC	DIST	REVISIONS					
		P	LTR	DESCRIPTION	DATE	DWN	APVD
G	86	N		REV PER ECO-11-014285	02AUG11	PY	BW



1 WIRE INSULATION: 8.64[.340] - 9.65[.380] DIA
 △ STAMP " 277159-1 AMP 2AL-4CU"
 APPROX AS SHOWN



SPLICE: COPPER ASTM B-187 TIN PL B-545 0.00381[.000150] MIN THK INSERT & FUNNEL: BRASS ASTM B36 NICKEL PL SAE AMS QQ-N-290A, DATED JULY 2000, 0.00254 [.000100] MIN THK	277159-1
MATERIAL & FINISH	PART NO.

THIS DRAWING IS A CONTROLLED DOCUMENT.		DWN DK SCHRUM 7/5/89		
DIMENSIONS: MM [INCHES]		CHK MS FEHER 5/1/90		
TOLERANCES UNLESS OTHERWISE SPECIFIED:		APVD C RHOADS 5/1/90	NAME	
0 PLC ± - 1 PLC ± - 2 PLC ± - 3 PLC ± - 4 PLC ± - ANGLES ± -		PRODUCT SPEC 108-11011	WIRE SPLICE, BUTT, SEALED COPALUM, 35.0mm2 [2] ALUMINUM, 22.0mm2 [4] COPPER	
MATERIAL SEE TABLE		FINISH SEE TABLE	SIZE 114-2134	CAGE CODE A2 00779
		WEIGHT 50.3 GRAMS	DRAWING NO C-277159	RESTRICTED TO -
		CUSTOMER DRAWING	SCALE 2:1	SHEET 1 of 1
				REV N

单击下面可查看定价，库存，交付和生命周期等信息

[>>TE Connectivity\(泰科\)](#)