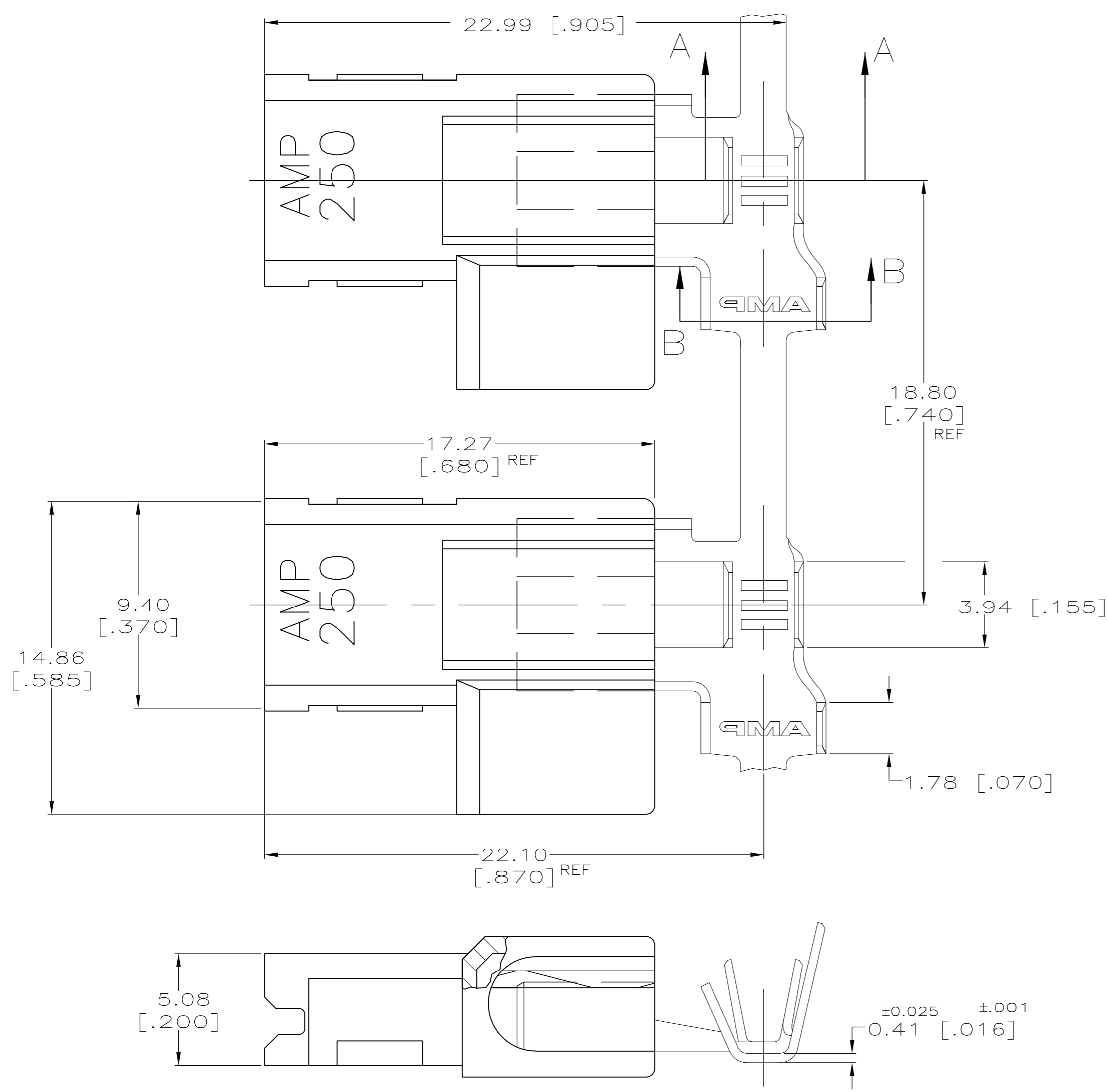
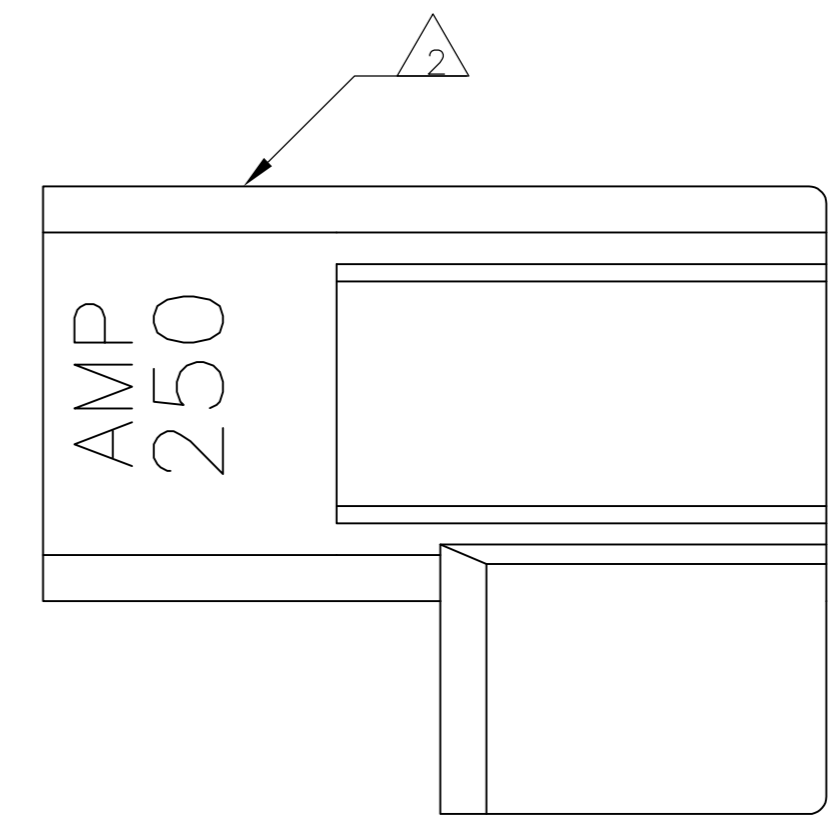
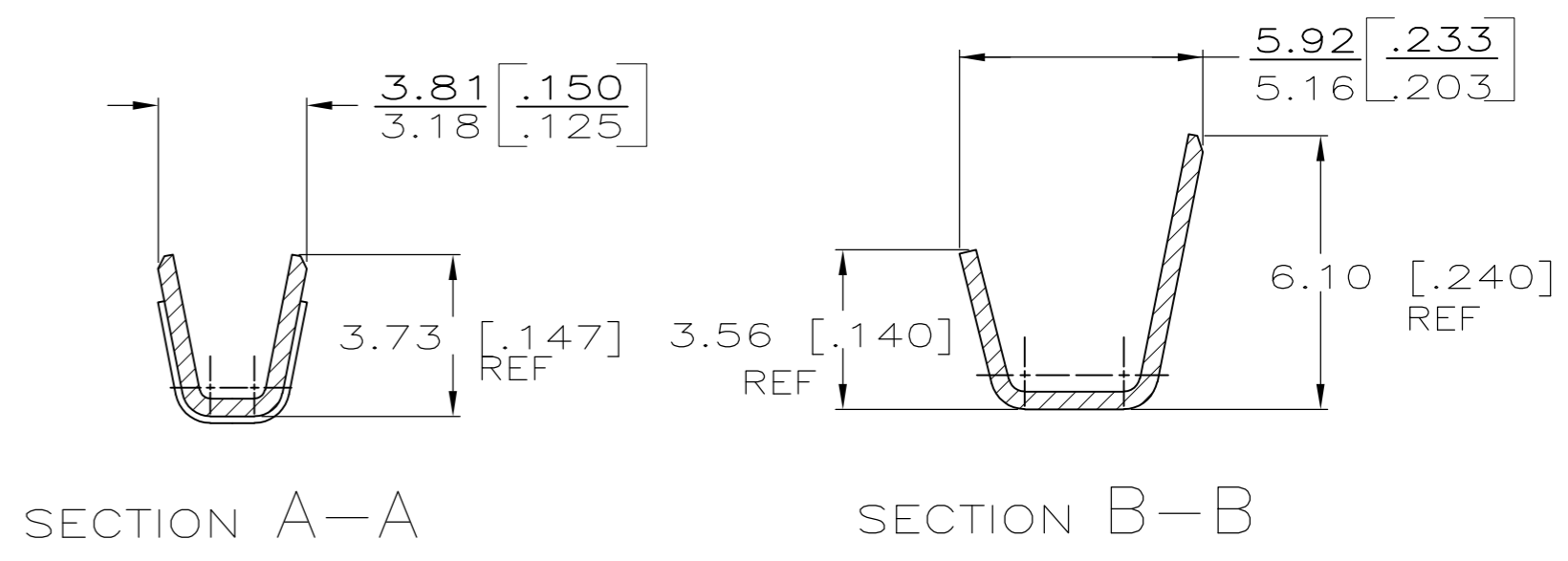


THIS DRAWING IS UNPUBLISHED. RELEASED FOR PUBLICATION
 © COPYRIGHT BY TYCO ELECTRONICS CORPORATION. ALL RIGHTS RESERVED.

LOC		DIST		REVISIONS			
P	LTR	DESCRIPTION	DATE	DWN	APVD		
AF	50	E1	REV PER ECR 10-005376	11MAR10	JR	GP	



- 1 BUDGET FLAG FASTON TERMINALS, BASE P/N 521091, ARE USED IN THIS PRODUCT.
- △ 2 ALTERNATE HOUSING FORM



4/6 NYLON / BLACK 150°C	NICKEL - STEEL	2.79-4.06 DIA [.110-.160] DIA	0.8-2.0mm ² [#18-#14] AWG	521087-1
HOUSING MATERIAL / COLOR	TERMINAL FINISH - MATERIAL	INSULATION RANGE	WIRE SIZE	PART NO
THIS DRAWING IS A CONTROLLED DOCUMENT.		DWN JR RUTH 6/27/95	Tyco Electronics Corporation Harrisburg, PA 17105	
DIMENSIONS: INCHES		CHK MS FEHER 6/27/95	NAME D BRATINA	
TOLERANCES UNLESS OTHERWISE SPECIFIED:		APVD 6/27/95	PRODUCT SPEC 108-1285	
0 PLC ± -		APPLICATION SPEC 114-2124		
1 PLC ± -		WEIGHT -		
2 PLC ± -		SIZE A2		
3 PLC ± 0.25 [.010]		CAGE CODE 00779		
4 PLC ± -		DRAWING NO C=521087		
ANGLES ± -		RESTRICTED TO -		
FINISH SEE TABLE		SCALE 6:1 SHEET 1 OF 1 REV E1		
CUSTOMER DRAWING				

单击下面可查看定价，库存，交付和生命周期等信息

[>>TE Connectivity\(泰科\)](#)