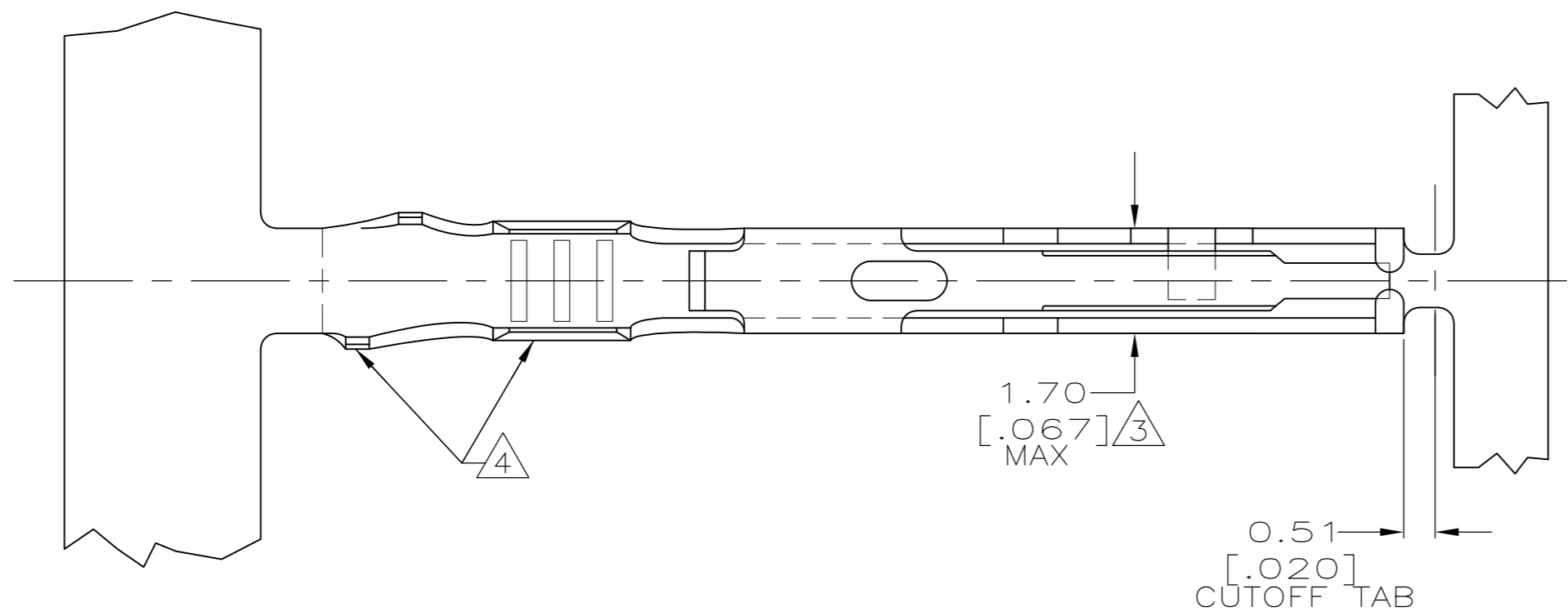
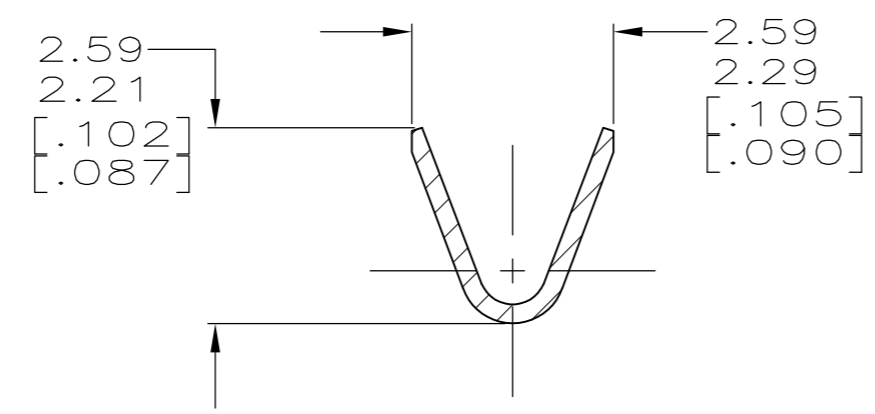
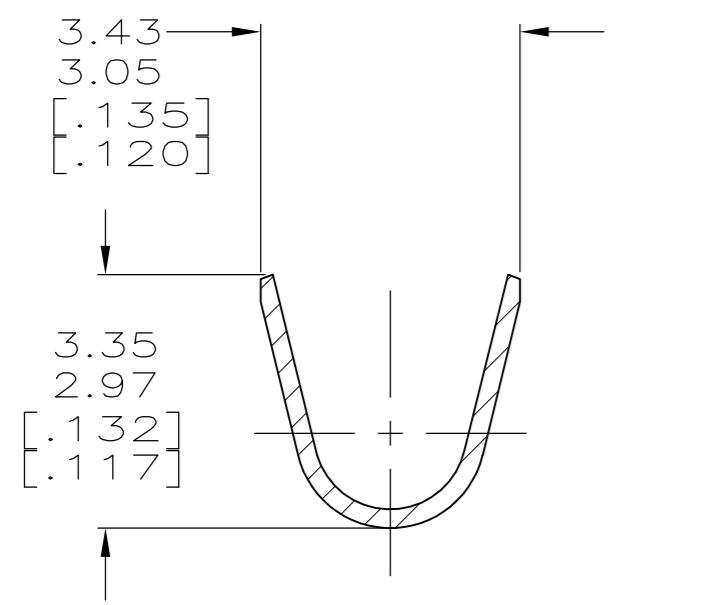
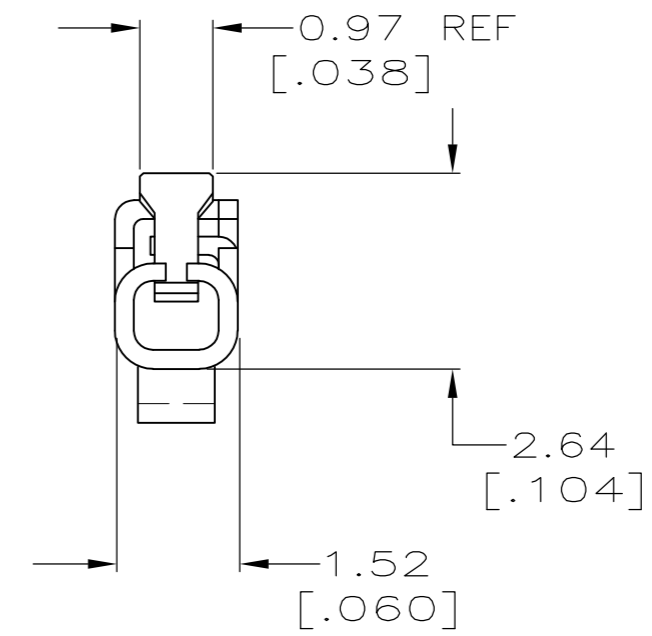
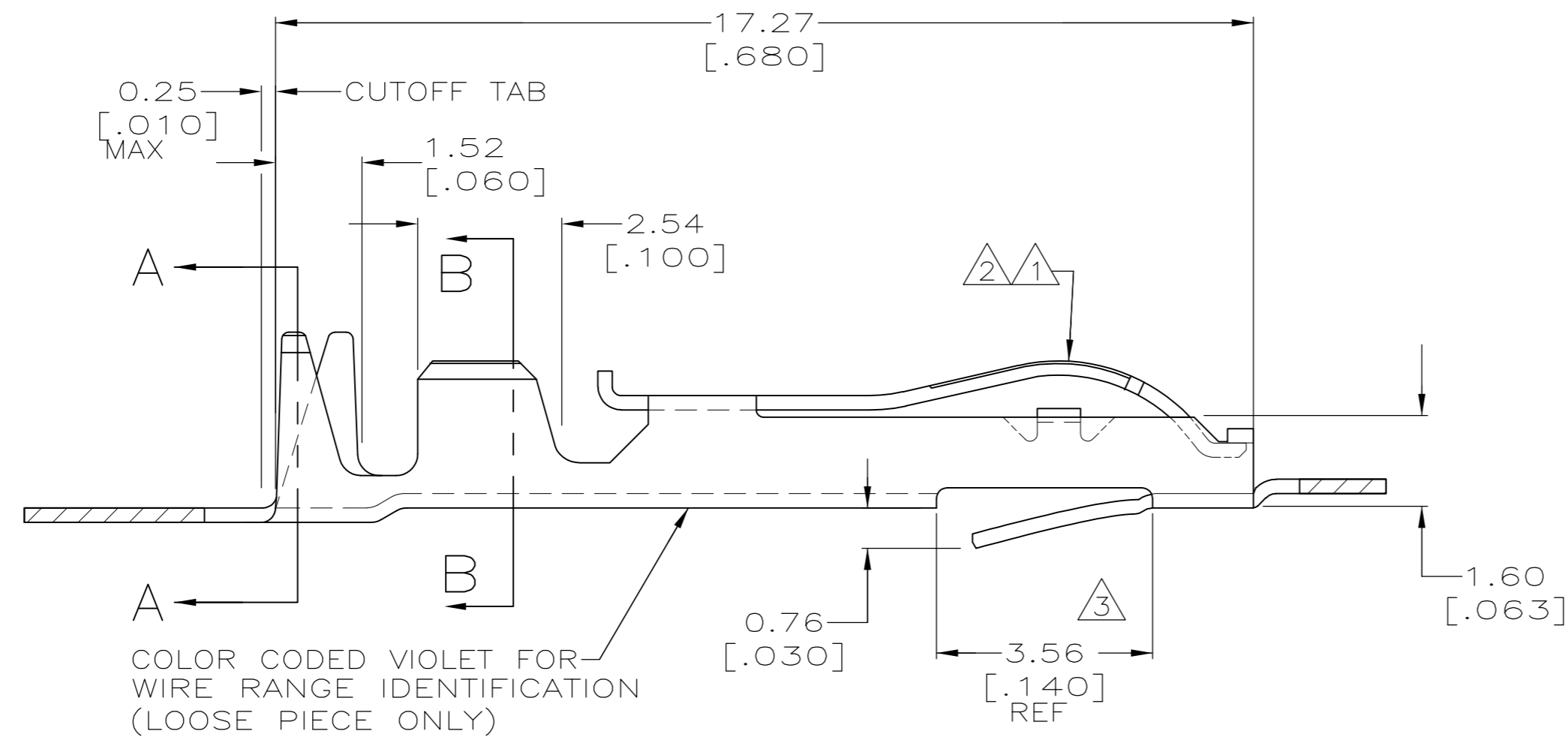


THIS DRAWING IS UNPUBLISHED. RELEASED FOR PUBLICATION
 © COPYRIGHT - By - ALL RIGHTS RESERVED.

LOC		DIST		REVISIONS			
P	LTR	DESCRIPTION		DATE	DWN	APVD	
AD	00	N		REVISED PER ECO-12-021574	11DEC12	KH	MM



- 1 .000030 GOLD OVER .000030 NICKEL IN CONTACT AREA.
- 2 .000015 GOLD OVER .000030 NICKEL IN CONTACT AREA.
- 3 .067 MAX ALLOWED IN LOCKING POSITION AREA FOR .140 REF LENGTH.
- 4 TIN-LEAD IN CRIMP AREA.
- 5 OBSOLETE
- 6 MATTE TIN IN CRIMP AREA.



1 6	531478-5	5-531478-4
1 4	531478-5	531478-4
2 4	531478-3	5 531478-2
FINISH	LOOSE PIECE	PART NUMBER

SECTION A-A
INSULATION RANGE
.095-.045 DIA

SECTION B-B
WIRE RANGE
#22-#18 AWG

THIS DRAWING IS A CONTROLLED DOCUMENT. DWN 8-2-93
 A. STAUB BG
 CHK 2/8/94
 H ROSE
 APVD -
 PRODUCT SPEC -
 APPLICATION SPEC -
 WEIGHT -
 CUSTOMER DRAWING

TE Connectivity

CONTACT, NON-BIFURCATED
CRIMP TWIN LEAF

SIZE A2 CAGE CODE 00779 DRAWING NO C=531478 RESTRICTED TO -
 SCALE 10:1 SHEET 1 OF 1 REV N

单击下面可查看定价，库存，交付和生命周期等信息

[>>TE Connectivity\(泰科\)](#)