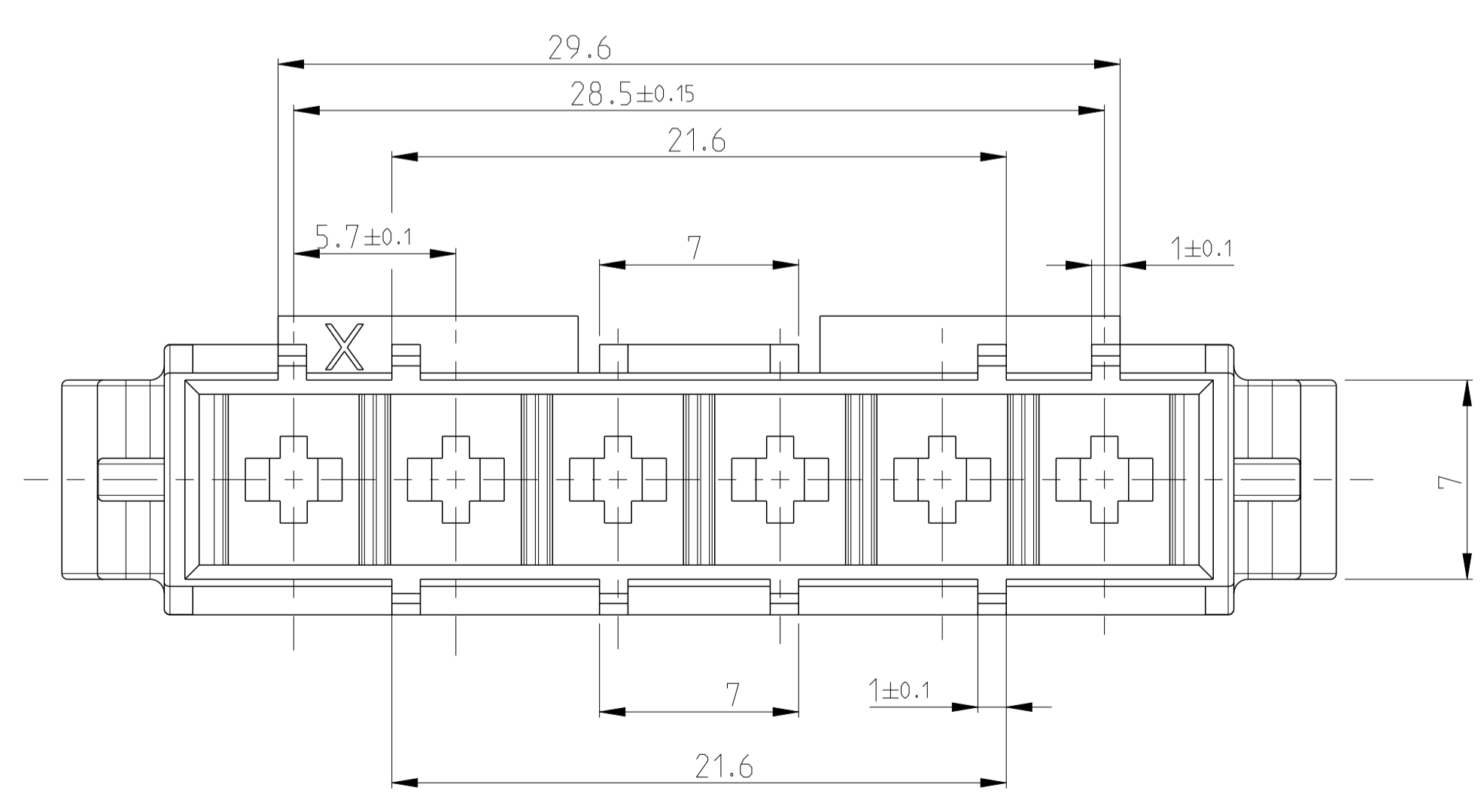
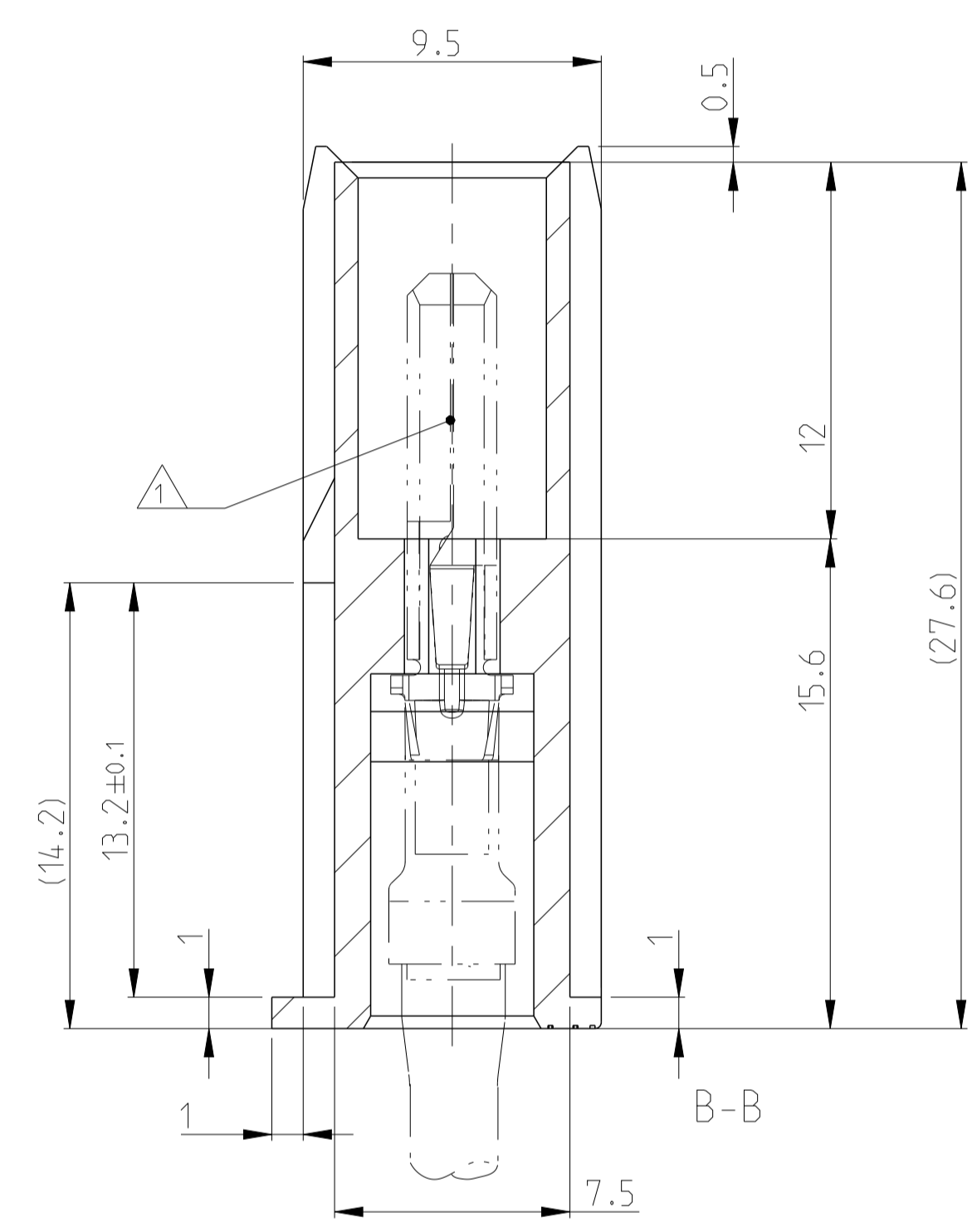
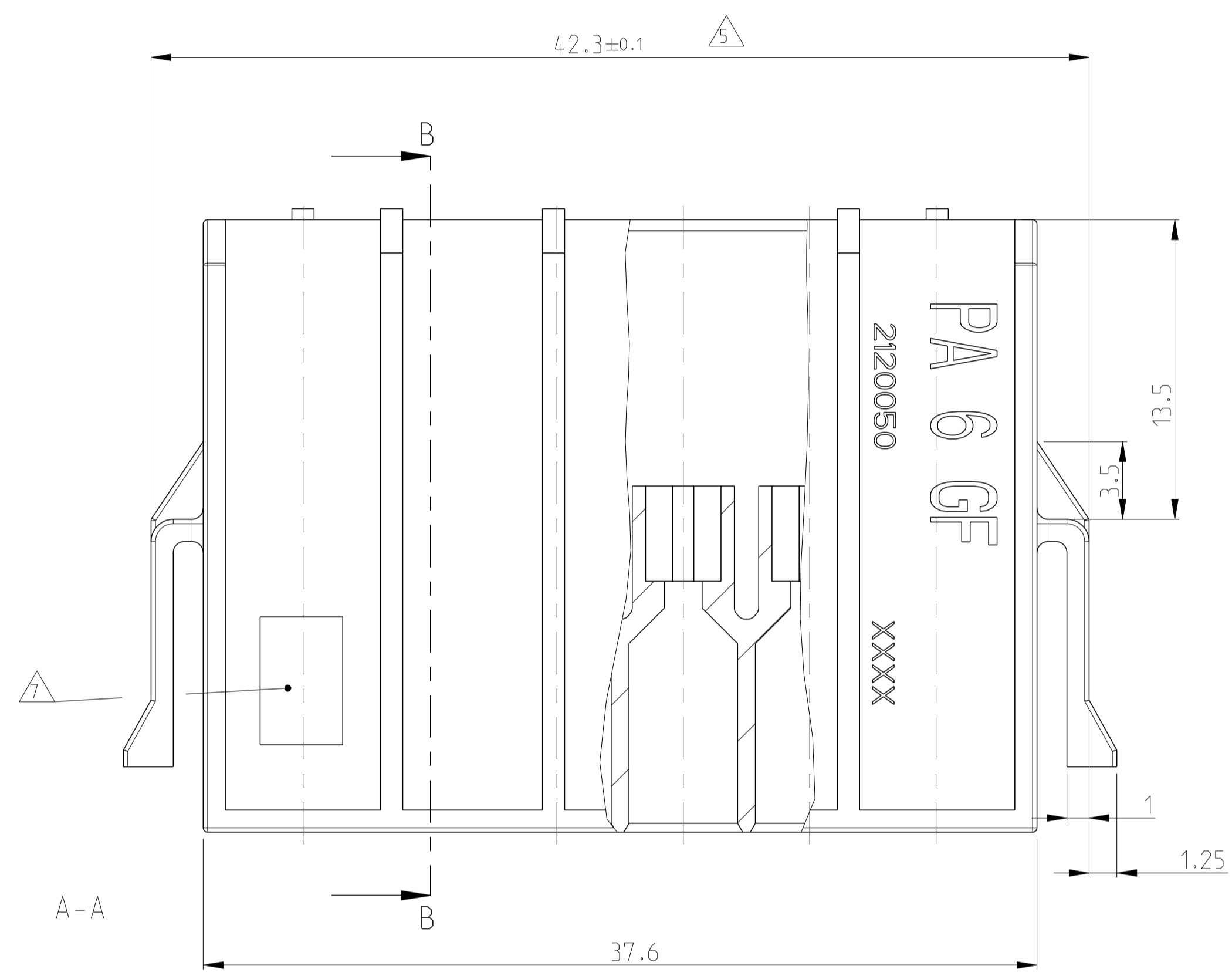
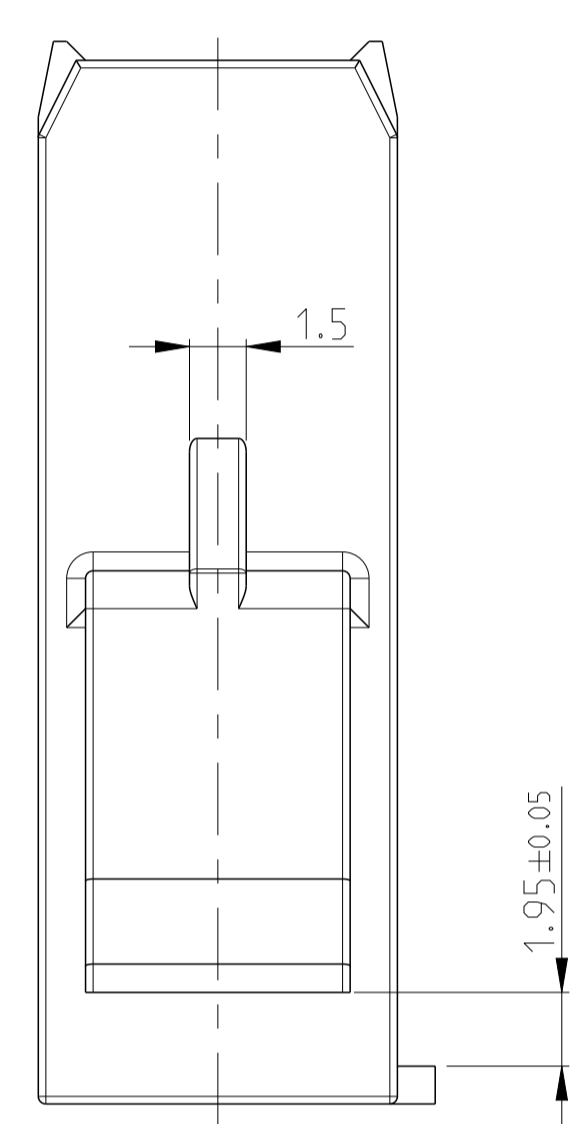
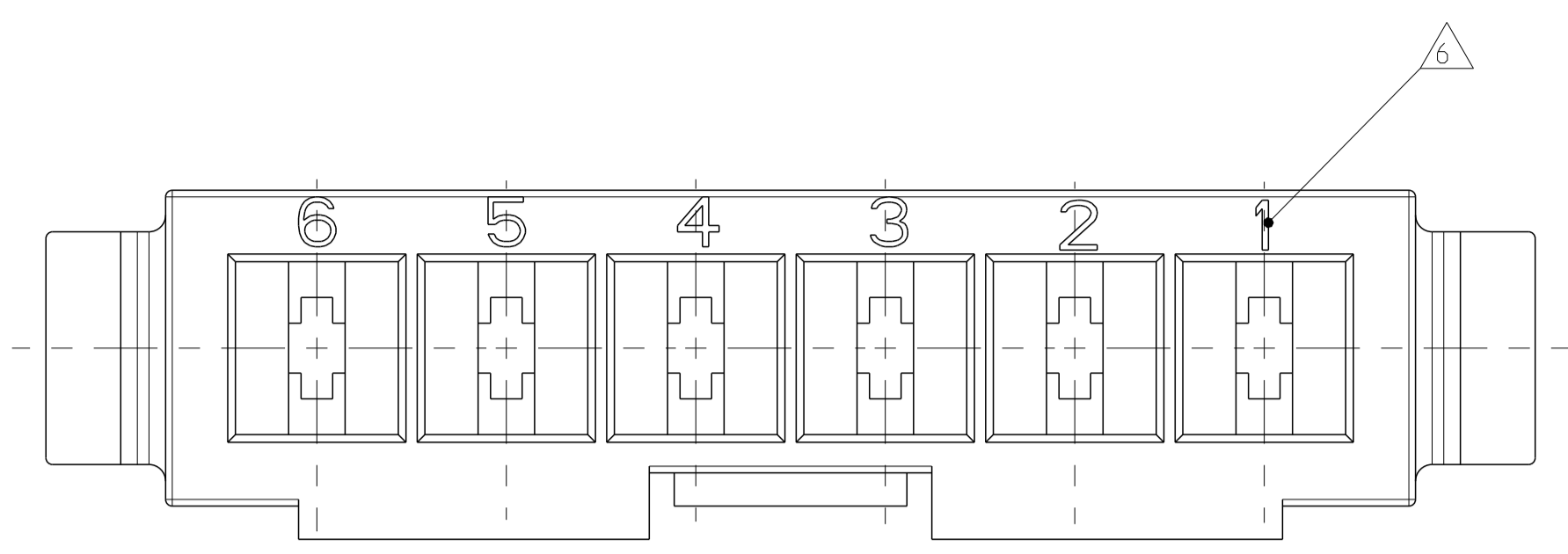


LOC		DIST		REVISIONS			
P	LTN	DESCRIPTION	DATE	DMN	APVD	BS	TK
B3	-	NO. OF PRODUCT SPEC. AND WEIGHT ADDED	04SEP2012	-	-	-	-
-	-	-	-	-	-	-	-



- 7 TYCO ELECTRONICS TRADEMARK
Tyco Electronics Zeichen
- 6 CAVITY NUMBER
Kammernummer
- 5 WARPAGE TIL ±0.4 mm PERMISSABLE
Verzug bis ±0.4 mm zulaessig
- 4 MATERIAL: GLOW WIRE TEST 750 °C WITHOUT FLAME
Material: Gluehdrahttest 750 °C ohne Flamme
- 3 RADII NOT SPECIFIED R=0.2
Nicht bemaste Radien R=0.2
- 2 MATING PART: FASTIN-FASTON TAB HOUSING
NO. 2120049
Gegenstecker: FASTIN-FASTON Flachstecker-
gehaeuse Nr. 2120049
- 1 CAVITY DESIGNED FOR 2.8x0.8 FASTIN-FASTON
CONTACT NO. 964131/964132
Kammer ausgelegt fuer 2.8x0.8 FASTIN-FASTON
Kontakte Nr. 964131/964132

0-2120050-1 AS SHOWN

THIS DRAWING IS A CONTROLLED DOCUMENT.		DMN H. Alzmann 13JUL12009	 TE Connectivity
DIMENSIONS: mm		CHK B. Schnaubelt 13JUL12009	
TOLERANCES UNLESS OTHERWISE SPECIFIED:		APVD T. Klenner 13JUL12009	NAME 2.8 X 0.8 FASTIN-FASTON TAB HSG 6 POSITION
0 PLC ±0.2	1 PLC ±0.2	PRODUCT SPEC	SIZE -
2 PLC ±0.2	3 PLC ±0.2	APPLICATION SPEC	CAGE CODE -
4 PLC ±0.2	ANGLES ±0.2	FINISH	DRAWING NO 00779
MATERIAL PA 6 GF 15	FINISH	WEIGHT 5.4 g	RESTRICTED TO -
Customer Drawing		SCALE 5:1	SHEET 1 OF 1
		REV B3	

单击下面可查看定价，库存，交付和生命周期等信息

[>>TE Connectivity\(泰科\)](#)